

AIR CONDITIONERS

Features

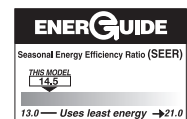
- Outdoor air conditioner designed for ground level or rooftop installations. These units offer comfort and dependability for single, multi-family and light commercial applications.
- Painted louvered steel cabinet
- Easily accessible control box
- Condenser coils constructed with copper tubing and enhanced aluminum fins
- Grille/Motor mount for quiet fan operation
- Filter Drier (shipped – not installed)



WA14**W SERIES

Nominal Sizes 1.5 to 5 Ton [5.28 to 17.6 kW]
 Efficiency 14 SEER/11.7-12.2 EER

Manufactured for
Fujitsu General America, Inc.
 Fairfield, NJ



“Proper sizing and installation of equipment is critical to achieve optimal performance. Split system air conditioners and heat pumps must be matched with appropriate coil components to meet Energy Star. Ask your Contractor for details or visit www.energystar.gov.”

TABLE OF CONTENTS

Model Number Identification	3
Electrical & Physical Data	4
Unit Dimensions	5
Refrigerant Line Size Information	6-9
Performance Data	10
Limited Warranty	11

Air Conditioners*

W	A	14	24	W	J	1	N	A	*
Brand	Product Category	SEER	Capacity BTU/HR	Major Series*	Voltage	Type	Controls	Minor Series**	Option Code
Fujitsu	A - Air Conditioners	13 - 13 SEER 14 - 14 SEER	18 - 18,000 [5.28 kW] 24 - 24,000 [7.03 kW] 30 - 30,000 [8.79 kW] 36 - 36,000 [10.55 kW] 43 - 42,000 [12.31 kW] 48 - 48,000 [14.07 kW] 60 - 60,000 [17.58 kW]	A - 1st Design W - Southwest Region X - 2nd Design Southwest Region	J - 1ph, 208-230/60 C - 3ph, 208-230/60 D - 3ph, 460/60	1 - Single-stage	N - Non-Communicating	A - 1st Design	FGA

Available Models
WA1418WJ1NAFGA
WA1424WJ1NAFGA
WA1430WJ1NAFGA
WA1430XJ1NAFGA
WA1436WJ1NAFGA
WA1436XJ1NAFGA
WA1442XJ1NAFGA
WA1443WJ1NAFGA
WA1448WJ1NAFGA
WA1460WJ1NAFGA

[] Designates Metric Conversions

Electrical and Physical Data

Physical Data							
Model No.#	WA1418W	WA1424W	WA1430W	WA1436W	WA1443W	WA1448W	WA1460W
Nominal Tonnage	1.5	2.0	2.5	3.0	3.5	4.0	5.0
Valve Connections							
Liquid Line O.D. - in.	3/8	3/8	3/8	3/8	3/8	3/8	3/8
Suction Line O.D. - in.	3/4	3/4	3/4	3/4	7/8	7/8	7/8
Refrigerant (R410A) furnished oz.¹	80.9	85	112	128	135	207	228
Compressor Type	Scroll						
Outdoor Coil							
Net face area - Outer Coil	11.8	13.7	13.7	21.9	18.3	21.9	21.9
Tube diameter - in.	3/8	3/8	3/8	3/8	3/8	3/8	3/8
Number of rows	1	1	1	1	1	2	2
Fins per inch	22	22	22	22	22	20	20
Outdoor Fan							
Diameter - in.	22	22	24	24	22	24	24
Number of blades	2	2	2	3	3	3	3
Motor hp	1/10	1/12	1/8	1/5	1/4	1/3	1/3
cfm	2049	2077	2915	3430	3174	3615	3615
rpm	825	841	850	850	1075	1075	1075
watts	122	76	135	228	244	195	311
Shipping weight - lbs.	157	171	175	201	184	269	274
Operating weight - lbs.	150	164	168	194	176	262	267
Electrical Data							
Line Voltage Data (Volts-Phase-Hz)	208/230-1-60	208/230-1-60	208/230-1-60	208/230-1-60	208/230-1-60	208/230-1-60	208/230-1-60
Maximum overcurrent protection (amps)²	20	25	25	35	35	50	60
Minimum circuit ampacity³	12	15	17	21	23	29	35
Compressor							
Rated load amps	9.0	11.2	12.8	15.4	16.7	21.8	26.4
Locked rotor amps	46	60.8	64	83.9	109	117	134
Condenser Fan Motor							
Full load amps	0.5	0.36	0.68	1.0	1.3	1.7	1.7
Locked rotor amps	1.0	1.0	1.3	2.4	2.5	3.2	3.2

¹Refrigerant charge sufficient for 15 ft. length of refrigerant lines. For longer line set requirements see the installation instructions for information about set length and additional refrigerant charge required.

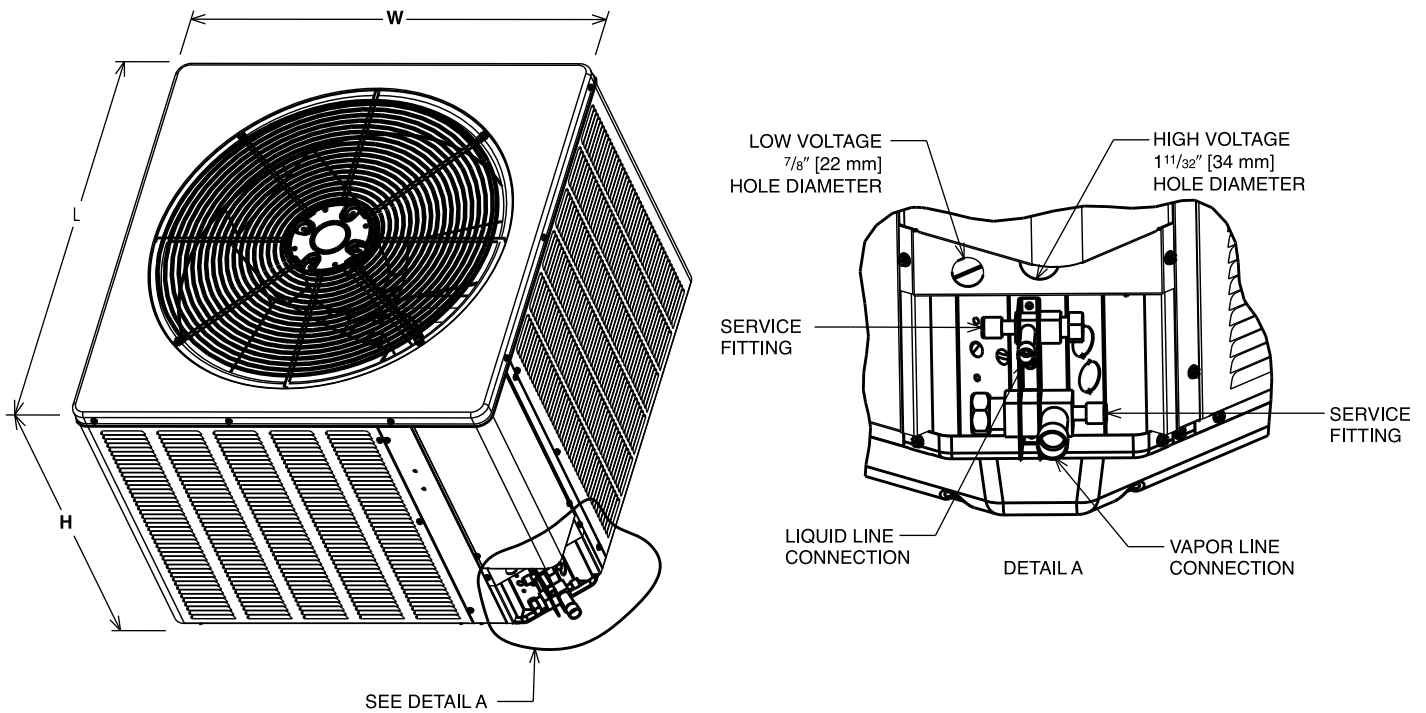
²HACR type circuit breaker or fuse.

³Refer to National Electrical Code manual to determine wire, fuse and disconnect size requirements.

Unit Dimensions

MODEL NUMBER	OPERATING						SHIPPING					
	H (Height)		L (Length)		W (Width)		H (Height)		L (Length)		W (Width)	
	INCHES	mm	INCHES	mm	INCHES	mm	INCHES	mm	INCHES	mm	INCHES	mm
WA1418W	24.25	616	27.63	702	27.63	702	24.50	622	28.75	730	28.75	730
WA1424W	24.25	616	27.63	702	27.63	702	24.50	622	28.75	730	28.75	730
WA1430W	27.38	695	31.63	803	31.63	803	27.63	702	32.75	832	32.75	832
WA1436W	35.38	899	31.63	803	31.63	803	35.63	905	32.75	832	32.75	832
WA1443W	32.25	819	27.63	702	27.38	695	32.50	826	28.75	730	28.50	724
WA1448W	35.38	899	31.63	803	31.63	803	35.63	905	32.75	832	32.75	832
WA1460W	35.38	899	31.63	803	31.63	803	35.63	905	32.75	832	32.75	832

[] Designates Metric Conversions



NOTE: Illustrations show the deep drawn basepan.

Condensing Unit Refrigerant Line Size Information

WA 14**W R-410A System Capacity Model	Liquid Line Connection Size (Inch I.D.) [mm]	Liquid Line Size (Inch O.D.) [mm]	Liquid Line Size Elevation Below Indoor Coil Total Equivalent Length - Feet [m]											
			25 [7.62]	50 [15.24]	75 [22.86]	100 [30.48]	125 [45.72]	150 [45.72]	175 [53.34]	200 [60.96]	225 [68.58]	250 [76.20]	275 [83.82]	300 [91.44]
			Minimum Vertical Separation—Feet [m]											
18	3/8" [9.53]	1/4 [6.35]	25 [7.62]	10 [3.05]	N/R	N/R	N/R	N/R	N/R	N/R	N/R	N/R	N/R	N/R
		5/16 [7.94]	25 [7.62]	50 [15.24]	70 [21.34]	60 [18.29]	45 [13.72]	35 [10.67]	20 [6.10]	10 [3.05]	N/R	N/R	N/R	N/R
		3/8 [9.53]	25 [7.62]	50 [15.24]	75 [22.86]	90 [27.43]	85 [25.91]	80 [24.38]	75 [22.86]	75 [22.86]	70 [21.34]	65 [19.81]	60 [18.29]	55 [16.76]
		1/2 [12.71]	25 [7.62]	50 [15.24]	75 [22.86]	100 [30.48]	105 [32.00]	100 [30.48]	100 [30.48]	100 [30.48]	100 [30.48]	100 [30.48]	100 [30.48]	95 [28.96]
24	3/8" [9.53]	1/4 [6.35]	20 [6.10]	N/R	N/R	N/R	N/R	N/R	N/R	N/R	N/R	N/R	N/R	N/R
		5/16 [7.94]	25 [7.62]	50 [15.24]	40 [12.19]	20 [6.10]	N/R	N/R	N/R	N/R	N/R	N/R	N/R	N/R
		3/8 [9.53]	25 [7.62]	50 [15.24]	75 [22.86]	75 [22.86]	70 [21.34]	60 [18.29]	55 [16.76]	45 [13.72]	40 [12.19]	30 [9.14]	25 [7.62]	15 [4.57]
		1/2 [12.71]	25 [7.62]	50 [15.24]	75 [22.86]	100 [30.48]	100 [30.48]	95 [28.96]	95 [28.96]	95 [28.96]	90 [27.43]	90 [27.43]	90 [27.43]	90 [27.43]
30	3/8" [9.53]	5/16 [7.94]	25 [7.62]	40 [12.19]	15 [4.57]	N/R	N/R	N/R	N/R	N/R	N/R	N/R	N/R	N/R
		3/8 [9.53]	25 [7.62]	50 [15.24]	65 [19.81]	55 [16.76]	50 [15.24]	40 [12.19]	30 [9.14]	20 [6.10]	10 [3.05]	N/R	N/R	N/R
		1/2 [12.71]	25 [7.62]	50 [15.24]	75 [22.86]	90 [27.43]	85 [25.91]	85 [25.91]	80 [24.38]	80 [24.38]	80 [24.38]	75 [22.86]	75 [22.86]	70 [21.34]
36	3/8" [9.53]	5/16 [7.94]	25 [7.62]	N/R	N/R	N/R	N/R	N/R	N/R	N/R	N/R	N/R	N/R	N/R
		3/8 [9.53]	25 [7.62]	50 [15.24]	45 [13.72]	30 [9.14]	15 [4.57]	N/R	N/R	N/R	N/R	N/R	N/R	N/R
		1/2 [12.71]	25 [7.62]	50 [15.24]	75 [22.86]	75 [22.86]	75 [22.86]	70 [21.34]	70 [21.34]	65 [19.81]	60 [18.29]	60 [18.29]	55 [16.76]	55 [16.76]
43	3/8" [9.53]	5/16 [7.94]	25 [7.62]	N/R	N/R	N/R	N/R	N/R	N/R	N/R	N/R	N/R	N/R	N/R
		3/8 [9.53]	25 [7.62]	50 [15.24]	35 [10.67]	15 [4.57]	N/R	N/R	N/R	N/R	N/R	N/R	N/R	N/R
		1/2 [12.71]	25 [7.62]	50 [15.24]	75 [22.86]	80 [24.38]	80 [24.38]	75 [22.86]	70 [21.34]	65 [19.81]	60 [18.29]	60 [18.29]	55 [16.76]	50 [15.24]
48	3/8" [9.53]	5/16 [7.94]	25 [7.62]	N/R	N/R	N/R	N/R	N/R	N/R	N/R	N/R	N/R	N/R	N/R
		3/8 [9.53]	25 [7.62]	50 [15.24]	40 [12.19]	20 [6.10]	N/R	N/R	N/R	N/R	N/R	N/R	N/R	N/R
		1/2 [12.71]	25 [7.62]	50 [15.24]	75 [22.86]	80 [24.38]	80 [24.38]	75 [22.86]	70 [21.34]	65 [19.81]	60 [18.29]	60 [18.29]	55 [16.76]	50 [15.24]
60	3/8" [9.53]	3/8 [9.53]	25 [7.62]	20 [6.10]	N/R	N/R	N/R	N/R	N/R	N/R	N/R	N/R	N/R	N/R
		1/2 [12.71]	25 [7.62]	50 [15.24]	70 [21.34]	60 [18.29]	55 [16.76]	50 [15.24]	40 [12.19]	35 [10.67]	30 [9.14]	20 [6.10]	15 [4.57]	5 [1.52]

NOTES: N/R = Application not recommended.

Grey = This application is acceptable, but the long line guidelines must be followed. Reference Long Line Set section in the I&O.

[] Designates Metric Conversions

Condensing Unit Refrigerant Line Size Information

WA 14**W R-410A System Capacity Model	Liquid Line Connection Size (Inch I.D.) (mm)	Liquid Line Size (Inch O.D.) (mm)	Liquid Line Size Elevation Above Indoor Coil Total Equivalent Length - Feet [m]											
			25 [7.62]	50 [15.24]	75 [22.86]	100 [30.48]	125 [45.72]	150 [45.72]	175 [53.34]	200 [60.96]	225 [68.58]	250 [76.20]	275 [83.82]	300 [91.44]
			Maximum Vertical Separation—Feet [m]											
18	3/8" [9.53]	1/4 [6.35]	25 [7.62]	50 [15.24]	75 [22.86]	100 [30.48]	125 [38.10]	130 [39.62]	115 [35.05]	100 [30.48]	85 [25.91]	70 [21.34]	55 [16.76]	40 [12.19]
		5/16 [7.94]	25 [7.62]	50 [15.24]	75 [22.86]	100 [30.48]	125 [38.10]	150 [45.72]	175 [53.34]	185 [56.39]	185 [56.39]	180 [54.86]	175 [53.34]	170 [51.82]
		3/8 [9.53]	25 [7.62]	50 [15.24]	75 [22.86]	100 [30.48]	125 [38.10]	150 [45.72]	175 [53.34]	200 [60.96]	200 [60.96]	200 [60.96]	200 [60.96]	200 [60.96]
		1/2 [12.71]	25 [7.62]	50 [15.24]	75 [22.86]	100 [30.48]	125 [38.10]	150 [45.72]	175 [53.34]	200 [60.96]	200 [60.96]	200 [60.96]	200 [60.96]	200 [60.96]
24	3/8" [9.53]	1/4 [6.35]	25 [7.62]	50 [15.24]	75 [22.86]	100 [30.48]	85 [25.91]	60 [18.29]	35 [10.67]	10 [3.05]	N/R	N/R	N/R	N/R
		5/16 [7.94]	25 [7.62]	50 [15.24]	75 [22.86]	100 [30.48]	125 [38.10]	150 [45.72]	170 [51.82]	165 [50.29]	155 [47.24]	150 [45.72]	145 [44.20]	135 [41.15]
		3/8 [9.53]	25 [7.62]	50 [15.24]	75 [22.86]	100 [30.48]	125 [38.10]	150 [45.72]	175 [53.34]	200 [60.96]	195 [59.44]	195 [59.44]	190 [57.91]	190 [57.91]
		1/2 [12.71]	25 [7.62]	50 [15.24]	75 [22.86]	100 [30.48]	125 [38.10]	150 [45.72]	175 [53.34]	200 [60.96]	200 [60.96]	200 [60.96]	200 [60.96]	200 [60.96]
30	3/8" [9.53]	1/4 [6.35]	25 [7.62]	50 [15.24]	75 [22.86]	70 [21.34]	40 [12.19]	5 [1.52]	N/R	N/R	N/R	N/R	N/R	N/R
		5/16 [7.94]	25 [7.62]	50 [15.24]	75 [22.86]	100 [30.48]	125 [38.10]	150 [45.72]	145 [44.20]	135 [41.15]	130 [39.62]	120 [36.58]	110 [33.53]	105 [32.00]
		3/8 [9.53]	25 [7.62]	50 [15.24]	75 [22.86]	100 [30.48]	125 [38.10]	150 [45.72]	175 [53.34]	180 [54.86]	180 [54.86]	175 [53.34]	175 [53.34]	170 [51.82]
		1/2 [12.71]	25 [7.62]	50 [15.24]	75 [22.86]	100 [30.48]	125 [38.10]	150 [45.72]	175 [53.34]	200 [60.96]	200 [60.96]	200 [60.96]	200 [60.96]	200 [60.96]
36	3/8" [9.53]	1/4 [6.35]	25 [7.62]	50 [15.24]	40 [12.19]	N/R	N/R	N/R	N/R	N/R	N/R	N/R	N/R	N/R
		5/16 [7.94]	25 [7.62]	50 [15.24]	75 [22.86]	100 [30.48]	125 [38.10]	120 [36.58]	105 [32.00]	95 [28.96]	80 [24.38]	65 [19.81]	55 [16.76]	40 [12.19]
		3/8 [9.53]	25 [7.62]	50 [15.24]	75 [22.86]	100 [30.48]	125 [38.10]	150 [45.72]	165 [50.29]	165 [50.29]	160 [48.77]	155 [47.24]	150 [45.72]	145 [44.20]
		1/2 [12.71]	25 [7.62]	50 [15.24]	75 [22.86]	100 [30.48]	125 [38.10]	150 [45.72]	175 [53.34]	190 [57.91]	190 [57.91]	190 [57.91]	190 [57.91]	190 [57.91]
43	3/8" [9.53]	1/4 [6.35]	25 [7.62]	50 [15.24]	N/R	N/R	N/R	N/R	N/R	N/R	N/R	N/R	N/R	N/R
		5/16 [7.94]	25 [7.62]	50 [15.24]	75 [22.86]	100 [30.48]	120 [36.58]	100 [30.48]	85 [25.91]	65 [19.81]	45 [13.72]	30 [9.14]	10 [3.05]	N/R
		3/8 [9.53]	25 [7.62]	50 [15.24]	75 [22.86]	100 [30.48]	125 [38.10]	150 [45.72]	165 [50.29]	160 [48.77]	155 [47.24]	150 [45.72]	140 [42.67]	135 [41.15]
		1/2 [12.71]	25 [7.62]	50 [15.24]	75 [22.86]	100 [30.48]	125 [38.10]	150 [45.72]	175 [53.34]	200 [60.96]	200 [60.96]	200 [60.96]	195 [59.44]	195 [59.44]
48	3/8" [9.53]	1/4 [6.35]	25 [7.62]	50 [15.24]	N/R	N/R	N/R	N/R	N/R	N/R	N/R	N/R	N/R	N/R
		5/16 [7.94]	25 [7.62]	50 [15.24]	75 [22.86]	100 [30.48]	120 [36.58]	100 [30.48]	80 [24.38]	65 [19.81]	45 [13.72]	30 [9.14]	10 [3.05]	N/R
		3/8 [9.53]	25 [7.62]	50 [15.24]	75 [22.86]	100 [30.48]	125 [38.10]	150 [45.72]	165 [50.29]	160 [48.77]	150 [45.72]	145 [44.20]	140 [42.67]	135 [41.15]
		1/2 [12.71]	25 [7.62]	50 [15.24]	75 [22.86]	100 [30.48]	125 [38.10]	150 [45.72]	175 [53.34]	195 [59.44]	195 [59.44]	195 [59.44]	195 [59.44]	190 [57.91]
60	3/8" [9.53]	1/4 [6.35]	25 [7.62]	N/R	N/R	N/R	N/R	N/R	N/R	N/R	N/R	N/R	N/R	N/R
		5/16 [7.94]	25 [7.62]	50 [15.24]	75 [22.86]	75 [22.86]	45 [13.72]	15 [4.57]	N/R	N/R	N/R	N/R	N/R	N/R
		3/8 [9.53]	25 [7.62]	50 [15.24]	75 [22.86]	100 [30.48]	125 [38.10]	135 [41.15]	125 [38.10]	115 [35.05]	105 [32.00]	95 [28.96]	85 [25.91]	75 [22.86]
		1/2 [12.71]	25 [7.62]	50 [15.24]	75 [22.86]	100 [30.48]	125 [38.10]	150 [45.72]	175 [53.34]	185 [56.39]	180 [54.86]	180 [54.86]	175 [53.34]	175 [53.34]

NOTES: N/R = Application not recommended.

Grey = This application is acceptable, but the long line guidelines must be followed. Reference Long Line Set section in the I&O.

[] Designates Metric Conversions

Condensing Unit Refrigerant Line Size Information

WA 14**W R-410A System Capacity Model	Vapor Line Connection Size (Inch I.D.) [mm]	Vapor Line Size (Inch O.D.) [mm]	Vapor Line Selection Chart Capacity Multiplier Table Elevation Below Indoor Coil Total Equivalent Length - Feet [m]											
			25 [7.62]	50 [15.24]	75 [22.86]	100 [30.48]	125 [45.72]	150 [45.72]	175 [53.34]	200 [60.96]	225 [68.58]	250 [76.20]	275 [83.82]	300 [91.44]
18	3/4" [19.06]	5/8 [15.88]	1.00	1.00	0.99	0.98	0.98	0.98	0.97	0.97	0.97	0.96	0.96	0.95
		3/4 [19.05]	1.00	1.00	1.00	0.99	1.00	1.00	0.99	0.99	0.99	0.99	0.99	0.99
24	3/4" [19.06]	5/8 [15.88]	0.99	0.98	0.98	0.97	0.96	0.96	0.95	0.95	0.94	0.93	0.94	0.93
		3/4 [19.05]	1.00	1.00	0.99	0.99	0.99	0.99	0.98	0.98	0.98	0.98	0.98	0.97
		7/8 [22.23]	1.00	1.00	1.00	1.00	1.00	1.00	1.00	1.00	1.00	0.99	0.99	0.99
30	3/4" [19.06]	5/8 [15.88]	0.99	0.98	0.97	0.96	0.95	0.94	0.93	0.92	0.91	N/R	N/R	N/R
		3/4 [19.05]	1.00	1.00	0.99	0.99	0.98	0.98	0.97	0.96	0.97	N/R	N/R	N/R
		7/8 [22.23]	1.00	1.00	1.00	1.00	1.00	1.00	0.99	0.99	0.99	N/R	N/R	N/R
36	3/4" [19.06]	5/8 [15.88]	0.99	0.98	0.96	0.95	0.93	N/R	N/R	N/R	N/R	N/R	N/R	N/R
		3/4 [19.05]	1.00	1.00	0.99	0.98	0.98	N/R	N/R	N/R	N/R	N/R	N/R	N/R
		7/8 [22.23]	1.01	1.00	1.00	1.00	1.00	N/R	N/R	N/R	N/R	N/R	N/R	N/R
		1-1/8 [28.58]	1.01	1.01	1.01	1.01	1.00	N/R	N/R	N/R	N/R	N/R	N/R	N/R
43	7/8 [22.23]	5/8 [15.88]	0.98	0.97	0.95	0.94	N/R	N/R	N/R	N/R	N/R	N/R	N/R	N/R
		3/4 [19.05]	1.00	0.99	0.98	0.98	N/R	N/R	N/R	N/R	N/R	N/R	N/R	N/R
		7/8 [22.23]	1.00	1.00	0.99	0.99	N/R	N/R	N/R	N/R	N/R	N/R	N/R	N/R
		1-1/8 [28.58]	1.01	1.00	1.00	1.00	N/R	N/R	N/R	N/R	N/R	N/R	N/R	N/R
48	7/8 [22.23]	5/8 [15.88]	0.98	0.96	0.94	0.92	N/R	N/R	N/R	N/R	N/R	N/R	N/R	N/R
		3/4 [19.05]	1.00	0.98	0.98	0.98	N/R	N/R	N/R	N/R	N/R	N/R	N/R	N/R
		7/8 [22.23]	1.00	1.00	0.99	0.99	N/R	N/R	N/R	N/R	N/R	N/R	N/R	N/R
60	7/8 [22.23]	5/8 [15.88]	0.97	0.94	N/R	N/R	N/R	N/R	N/R	N/R	N/R	N/R	N/R	N/R
		3/4 [19.05]	0.99	0.98	N/R	N/R	N/R	N/R	N/R	N/R	N/R	N/R	N/R	N/R
		7/8 [22.23]	1.00	0.99	N/R	N/R	N/R	N/R	N/R	N/R	N/R	N/R	N/R	N/R
		1-1/8 [28.58]	1.00	1.00	N/R	N/R	N/R	N/R	N/R	N/R	N/R	N/R	N/R	N/R

NOTES: N/R = Application not recommended.
 All calculations assume a 3/8" liquid line

[] Designates Metric Conversions

Condensing Unit Refrigerant Line Size Information

WA 14**W R-410A System Capacity Model	Vapor Line Connection Size (Inch I.D.) [mm]	Vapor Line Size (Inch O.D.) [mm]	Vapor Line Selection Chart Capacity Multiplier Table Elevation Above Indoor Coil Total Equivalent Length - Feet (m)												
			25 [7.62]	50 [15.24]	75 [22.86]	100 [30.48]	125 [45.72]	150 [45.72]	175 [53.34]	200 [60.96]	225 [68.58]	250 [76.20]	275 [83.82]	300 [91.44]	
18	3/4" [19.06]	5/8 [15.88]	1.00	1.00	0.99	0.98	0.98	0.98	0.97	0.97	0.97	0.96	0.96	0.95	
		3/4 [19.05]	1.00	1.00	1.00	0.99	1.00	1.00	0.99	0.99	0.99	0.99	0.99	0.99	
24	3/4" [19.06]	5/8 [15.88]	0.99	0.98	0.98	0.97	0.96	0.96	0.95	0.95	0.94	0.93	0.94	0.93	
		3/4 [19.05]	1.00	1.00	0.99	0.99	0.99	0.99	0.98	0.98	0.98	0.98	0.98	0.97	
		7/8 [22.23]	1.00	1.00	1.00	1.00	1.00	1.00	1.00	1.00	1.00	0.99	0.99	0.99	0.99
30	3/4" [19.06]	5/8 [15.88]	0.99	0.98	0.97	0.96	0.95	0.94	0.93	0.92	0.91	0.90	0.90	0.89	
		3/4 [19.05]	1.00	1.00	0.99	0.99	0.98	0.98	0.97	0.96	0.97	0.96	0.96	0.96	
		7/8 [22.23]	1.00	1.00	1.00	1.00	1.00	1.00	0.99	0.99	0.99	0.99	0.99	0.99	0.98
36	3/4" [19.06]	5/8 [15.88]	0.99	0.98	0.96	0.95	0.93	0.93	0.91	0.89	0.88	0.86	0.87	0.86	
		3/4 [19.05]	1.00	1.00	0.99	0.98	0.98	0.98	0.97	0.96	0.96	0.95	0.95	0.95	
		7/8 [22.23]	1.01	1.00	1.00	1.00	1.00	0.99	1.00	0.98	0.99	0.99	0.99	0.98	0.98
		1-1/8 [28.58]	1.01	1.01	1.01	1.01	1.00	1.00	1.00	1.00	1.00	1.00	1.00	1.00	1.00
43	7/8" [22.23]	5/8 [15.88]	0.98	0.97	0.95	0.94	0.93	0.91	0.89	0.89	0.88	0.86	0.85	0.84	
		3/4 [19.05]	1.00	0.99	0.98	0.98	0.97	0.97	0.96	0.96	0.95	0.95	0.95	0.94	
		7/8 [22.23]	1.00	1.00	0.99	0.99	0.99	0.99	0.98	0.98	0.98	0.98	0.97	0.97	
		1-1/8 [28.58]	1.01	1.00	1.00	1.00	1.00	1.00	1.00	1.00	1.00	1.01	1.01	1.01	1.00
48	7/8" [22.23]	5/8 [15.88]	0.98	0.96	0.94	0.92	0.90	0.89	0.87	0.87	0.84	0.85	0.83	0.82	
		3/4 [19.05]	1.00	0.98	0.98	0.98	0.97	0.96	0.95	0.94	0.93	0.93	0.93	0.92	
		7/8 [22.23]	1.00	1.00	0.99	0.99	0.98	0.98	0.98	0.98	0.98	0.98	0.98	0.97	0.97
60	7/8" [22.23]	5/8 [15.88]	0.97	0.94	0.91	0.88	0.86	0.84	0.83	0.82	0.80	0.82	0.80	0.81	
		3/4 [19.05]	0.99	0.98	0.97	0.95	0.95	0.93	0.92	0.91	0.90	0.90	0.89	0.88	
		7/8 [22.23]	1.00	0.99	0.98	0.99	0.99	0.98	0.97	0.96	0.96	0.96	0.96	0.95	0.95
		1-1/8 [28.58]	1.00	1.00	1.00	0.99	1.00	0.99	0.99	0.99	0.99	0.99	0.99	0.99	0.99

NOTES: N/R = Application not recommended.
 All calculations assume a 3/8" liquid line

[] Designates Metric Conversions

Performance Data @ AHRI Standard Conditions—Cooling

Note: Ratings contained in this document are subject to change. For up-to-date and expanded ratings, please visit the AHRI web site (www.ahridirectory.org).

Designated Tested Combination (DTC)							
Outdoor Unit	Indoor Coil or Air Handler	Total Capacity BTU/H [kW]	Net Sensible BTU/H [kW]	Net Latent BTU/H [kW]	SEER	EER	Indoor CFM [L/s]
WA1430WJ1	FCC3617TSA	28600 [8.4]	20400 [6.0]	8200 [2.4]	14.00	12.20	975 [460.1]
WA1436WJ1	FCC3621TSA	36000 [10.6]	26200 [7.7]	9800 [2.9]	14.00	12.20	1125 [530.9]
WA1443WJ1	FCC4821TSA	40500 [11.9]	31000 [9.1]	9500 [2.8]	14.00	12.20	1350 [637.1]
WA1448WJ1	FCC4821TSA	46500 [13.6]	34100 [10.0]	12400 [3.6]	14.00	11.70	1375 [648.9]

[] Designates Metric Conversions

GENERAL TERMS OF LIMITED WARRANTY*

Fujitsu General America, Inc. will furnish a replacement for any part of this product which fails in normal use and service within the applicable period stated, in accordance with the terms of the limited warranty.

Parts.....Five (5) Years

***For complete details of the Limited and Conditional Warranties, including applicable terms and conditions, contact your local contractor or the Manufacturer for a copy of the product warranty certificate.**

Before proceeding with installation, refer to installation instructions packaged with each model, as well as complying with all Federal, State, Provincial, and Local codes, regulations, and practices.

"In keeping with its policy of continuous progress and product improvement, the right is reserved to make changes without notice."