

⚠️ WARNING:

RECOGNIZE THIS SYMBOL AS AN INDICATION OF IMPORTANT SAFETY INFORMATION

⚠️ WARNING

THESE INSTRUCTIONS ARE INTENDED AS AN AID TO QUALIFIED, LICENSED SERVICE PERSONNEL FOR PROPER INSTALLATION, ADJUSTMENT, AND OPERATION OF THIS UNIT. READ THESE INSTRUCTIONS THOROUGHLY BEFORE ATTEMPTING INSTALLATION OR OPERATION. FAILURE TO FOLLOW THESE INSTRUCTIONS MAY RESULT IN IMPROPER INSTALLATION, ADJUSTMENT, SERVICE, OR MAINTENANCE POSSIBLY RESULTING IN FIRE, ELECTRICAL SHOCK, PROPERTY DAMAGE, PERSONAL INJURY, OR DEATH.

Do not destroy this manual. Please read carefully and keep in a safe place for future reference by a serviceman.

[] indicates metric conversions.

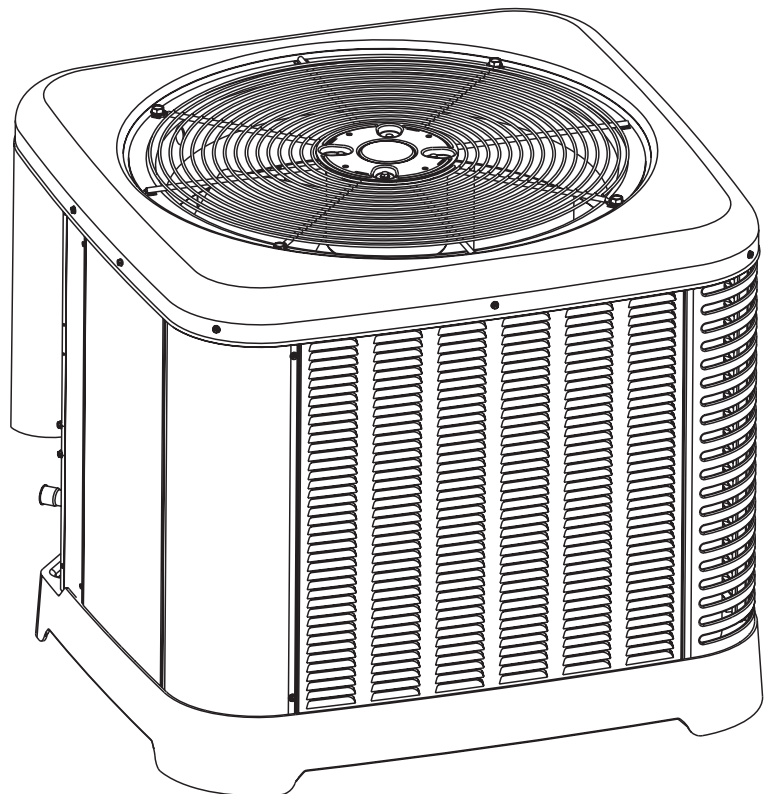
92-104921-07-05 (7/16) Printed in USA

AIR COOLED CONDENSING UNITS

INSTALLATION INSTRUCTIONS

FO*17C MODEL SERIES – 17 SEER

FEATURING INDUSTRY STANDARD
R-410A REFRIGERANT 



ISO 9001:2008

Certificate Number: 3064



CONTENTS

Important

Safety Information 3

Efficiency Testing Notice 3

General Information 4

Checking Product Received 4

Application 4

Electrical and Physical Data 5

Specifications 6

Proper Installation 6

Installation 7

Choosing a Location 7

Operational Issues 7

Corrosive Environment 7

For Units With

Space Limitations 8

Customer Satisfaction Issues 8

Unit Mounting 8

Factory Preferred

Tie Down Method 8

Tools and Refrigerant 9

Tools Required for Installing and

Servicing R-410A Models 9

Specifications of R-410A 9

Quick-Reference

Guide for R-410A 9

Replacement Units 10

Indoor Coil 10

Location 10

Interconnecting Tubing 10

Refrigerant Level Adjustment 11

Interconnecting Tubing and Fitting Losses 11

Liquid Line Selection 11

Long Line Set Applications 12

Oil Level Adjustment 12

Suction Line Selection 13

Refrigerant Migration 13

Tubing Installation 18

Tubing Connections 19

Leak Testing 20

Condensing Units 21

Equipped with EcoNet™ 21

Dual 7-Segment LED 21

Line Voltage Connector 21

Thermostat Connector 21

Low Volt Fuse 22

Low Pressure Control 22

High Pressure Control 22

Ambient Temperature Sensor 22

UP and SELECT Buttons 22

Memory Card 22

EcoNet Communication System™ Control Wiring 22

EcoNet Communication System™ ICC Control 22

Condensing Units 23

Active Compressor Protection Mode 24

Test and Fault Recall Modes 25

Conventional Thermostat Wiring 30

Thermostat Wiring Diagrams 31

ICC Control Operation 32

ICC Control Operation 32

Test and Fault Recall Modes 34

Electrical Wiring 35

Power Wiring 35

Grounding 35

Control Wiring 35

Noncommunication Thermostat

Wiring Diagrams 36

Power Wiring 37

Grounding 37

Start-Up 38

Checking Airflow 38

Evacuation Procedure 39

Final Leak Testing 39

Checking Refrigerant Charge 40

Charging Units 40

Confirm ID Airflow and Coils are Clean 40

Measurement Device Setup 40

Charging by Weight 40

Gross Charging by Pressure 41

Final Charge by Subcooling 41

Finishing Up Installation 42

Components and Controls 43

Compressor

Crankcase Heat (CCH) 43

High- and Low-Pressure

Controls (HPC and LPC) 43

Accessories 34

Single Pole Compressor 44

Time-Delay Control 44

Low Ambient Control (LAC) 44

Hard-Start Components 44

Diagnostics 45

Electrical Checks Flowchart 45

Cooling Mechanical Check Flowchart 46

General Troubleshooting Chart 47

Service Analyzer Charts 48-52

Cooling Troubleshooting Tips 53

Wiring Diagrams 54-55

IMPORTANT SAFETY INFORMATION

⚠️ WARNINGS:

- These instructions are intended as an aid to qualified, licensed service personnel for proper installation, adjustment, and operation of this unit. Read these instructions thoroughly before attempting installation or operation. **Failure to follow these instructions may result in improper installation, adjustment, service, or maintenance possibly resulting in fire, electrical shock, property damage, personal injury, or death.**
- **The unit must be permanently grounded. Failure to do so can cause electrical shock resulting in severe personal injury or death.**
- **Turn off electric power at the fuse box or service panel before making any electrical connections.**
- **Complete the ground connection before making line voltage connections. Failure to do so can result in electrical shock, severe personal injury, or death.**
- **Disconnect all power to unit before starting maintenance. Failure to do so can cause electrical shock resulting in severe personal injury or death.**
- **Never assume the unit is properly wired and/or grounded. Always test the unit cabinet with a noncontact voltage detector available at most electrical supply houses or home centers before removing access panels or coming into contact with the unit cabinet.**
- **Do not use oxygen to purge lines or pressurize system for leak test. Oxygen reacts violently with oil, which can cause an explosion resulting in severe personal injury or death.**
- The top of the scroll compressor shell is hot. Touching the compressor top may result in serious personal injury.
- The manufacturer's warranty does not cover any damage or defect to the unit caused by the attachment or use of any components, accessories, or devices (other than those authorized by the manufacturer) into, onto, or in conjunction with the heat pump. **You should be aware that the use of unauthorized components, accessories, or devices may adversely affect the operation of the heat pump and may also endanger life and property.** The manufacturer disclaims any responsibility for such loss or injury resulting from the use of such unauthorized components, accessories, or devices.

⚠️ CAUTIONS:

- R-410A systems operate at approximately 60% higher pressures (1.6 times) than R-22 systems. Do not use R-22 service equipment or components on R-410A equipment. Use appropriate care when using this refrigerant. Failure to exercise care may result in equipment damage or personal injury.
- Only match this outdoor unit with a matched indoor coil or air handler approved for use with this outdoor unit per the unit manufacturer's specification sheet. The use of unmatched coils or air handler will likely result in a charge imbalance between the cooling and heating modes which can cause unsatisfactory operation including a high-pressure switch lockout condition.
- Only use indoor coils approved for use on R-410A systems. An R-22 coil will have a TXV or fixed restrictor device that is not designed to operate properly in an R-410A system and will result in serious operational issues. The R-22 coil could also contain mineral oil which is incompatible with the POE oil used in R-410A systems and could result in reliability issues with the compressor and TXVs.
- When coil is installed over a finished ceiling and/or living area, it is required that a secondary sheet metal condensate pan be constructed and installed under the entire unit. Failure to do so can result in property damage.
- The compressor has an internal overload protector. Under some conditions, it can take up to 2 hours for this overload to reset. Make sure overload has had time to reset before condemning the compressor.

Efficiency Testing Notice:

For purposes of verifying or testing efficiency ratings, the test procedure in Title 10 APPENDIX M to Subpart B of Part 430 (Uniform Test Method for Measuring the Energy Consumption of Central Air Conditioners and Heat Pumps) and the clarifying provisions provided in the AHRI Operations Manual 210/240 that were applicable at the date of manufacture should be used for test set up and performance.

GENERAL INFORMATION

⚠️WARNING:

Improper installation, or installation not made in accordance with these instructions, can result in unsatisfactory operation and/or dangerous conditions and can cause the related warranty not to apply.

The condensing unit is designed to operate with standard 24 VAC thermostats and air handlers or gas furnaces.

This installation instruction manual contains complete instructions for installation and setup using conventional 24 VAC controls. Please refer to the manufacturer's specification sheets for complete performance data, thermostat, and accessory listings.

The information contained in this manual has been prepared to assist in the proper installation, operation, and maintenance of the air conditioning system.

Read this manual and any instructions packaged with separate equipment required to make up the system prior to installation. Homeowner should retain this manual for future reference.

To achieve optimum efficiency and capacity, the matching indoor cooling coils listed in the manufacturer's specification sheet should be used.

Checking Product Received

Upon receiving unit, inspect it for any shipping damage. Claims for damage, either apparent or concealed, should be filed immediately with the shipping company. Check model number, electrical characteristics, and accessories to determine if they are correct. Check system components (indoor coil, outdoor unit, air handler/furnace, etc.) to make sure they are properly matched.

Application

Before specifying any air conditioning equipment, a survey of the structure and a heat gain calculation must be made. A cooling heat gain calculation determines the amount of heat needed to be removed. A heat gain calculation also calculates the extra heat load caused by sunlight and by humidity removal. These factors must be considered before selecting an air conditioning system to provide year-round comfort. The Air Conditioning Contractors of America (ACCA) J Manual method of load calculation is one recognized procedure for determining the heating and cooling load.

After the proper equipment combination has been selected, satisfying both sensible and latent requirements, the system must be properly installed. Only then can the unit provide the comfort it was designed to provide.

There are several factors that installers must consider.

- Outdoor unit location
- Indoor unit blower speed and airflow
- Proper equipment evacuation
- Supply and return air duct design and sizing
- Refrigerant charge
- System air balancing
- Diffuser and return air grille location and sizing

GENERAL INFORMATION



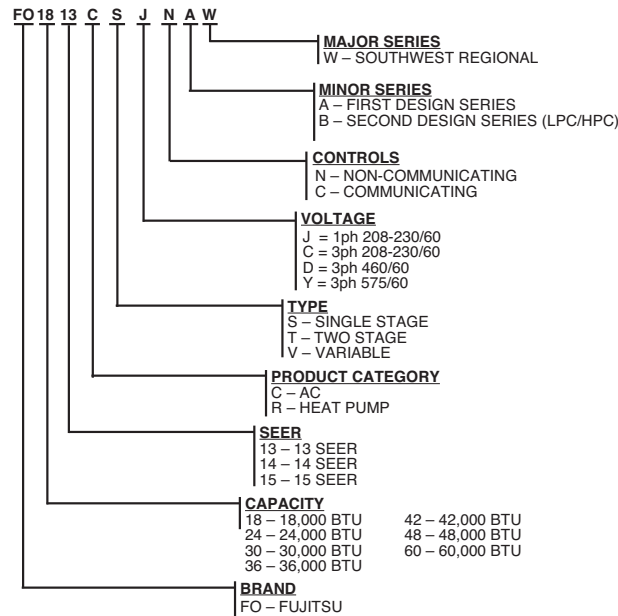
Electrical and Physical Data - cont.

FO*17C

Model Number	ELECTRICAL									PHYSICAL					
	Voltage	Phase	Freq	Compressor		Fan Motor Full Load Amperes (FLA)	Minimum Circuit Ampacity Amperes	Fuse or HACR Circuit Breaker		Outdoor Coil			Refrig. Per Circuit (oz.) [g]	Weight	
				Rated Load Amperes (RLA)	Locked Rotor Amperes (LRA)			Maximum Amperes	Minimum Amperes	Face Area Sq. Ft. [m ²]	No. Rows	CFM [L/s]		Net Lbs. [kg]	Shipping Lbs. [kg]
RA1724AJ2CB	208-230	1	60	11.7/11.7	58.3	1.40	16/16	25/25	20/20	19.76 [1.84]	1	5133 [2423]	128 [3629]	160 [72.6]	167 [75.7]
RA1736AJ2CB	208-230	1	60	15.3/15.3	83.0	1.20	21/21	35/35	25/25	22.23 [2.07]	1	3540 [1671]	151 [4281]	180 [81.6]	187 [84.8]
RA1748AJ2CB	208-230	1	60	21.2/21.2	104.0	5.30	32/32	50/50	40/40	32.30 [3.00]	1	4251 [2006]	204 [5783]	231 [104.8]	238 [108.0]
RA1760AJ2CB	208-230	1	60	28.8/28.8	152.9	5.30	42/42	70/70	50/50	32.30 [3.00]	1	5133 [2423]	223 [6322]	241 [109.3]	248 [112.5]

General Information

UNIT MODEL NUMBER EXPLANATION



DIMENSIONAL DATA

FO*17	24	36	48	60
Height "H" inches [mm]	35 [889]	39 [991]	51 [1295]	51 [1295]
Length "L" inches [mm]	33.75 [857]	33.75 [857]	35.75 [908]	35.75 [908]
Width "W" inches [mm]	33.75 [857]	33.75 [857]	35.75 [908]	35.75 [908]

GENERAL INFORMATION



Specifications

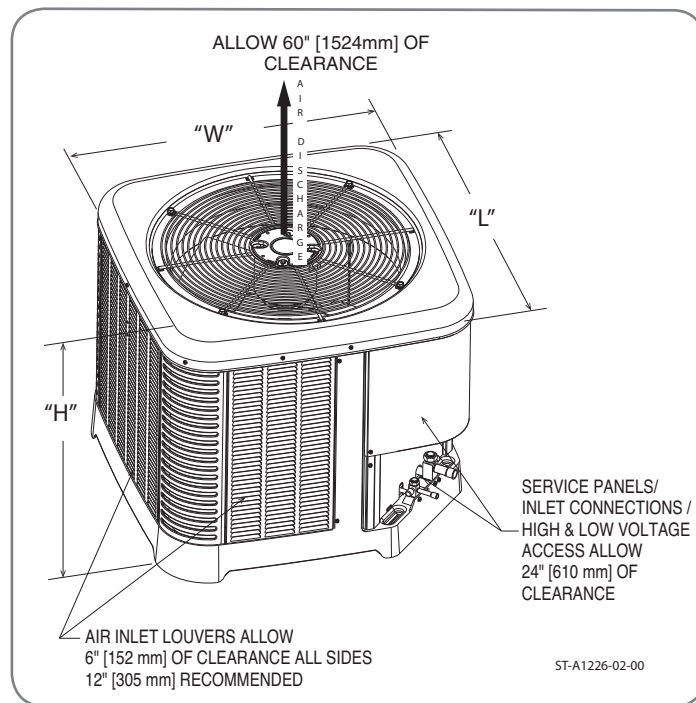
Proper Installation

Proper sizing and installation of this equipment is critical to achieve optimal performance. Use the information in this Installation Instruction Manual and reference the applicable manufacturer's specification sheet when installing this product.

IMPORTANT: This product has been designed and manufactured to meet ENERGY STAR criteria for energy efficiency when matched with appropriate indoor components. However, proper refrigerant charge and proper airflow are critical to achieve rated capacity and efficiency. Installation of this product should follow the manufacturer's refrigerant charging and airflow instructions. **Failure to confirm proper charge and airflow may reduce energy efficiency and shorten equipment life.**

MATCH ALL COMPONENTS:

- OUTDOOR UNIT
- INDOOR COIL
- INDOOR AIR HANDLER/FURNACE
- REFRIGERANT LINES
- INDOOR THERMOSTAT





Choosing a Location

IMPORTANT: Consult local and national building codes and ordinances for special installation requirements. Following location information will provide longer life and simplified servicing of the outdoor unit.

NOTICE: These units must be installed outdoors. No ductwork can be attached, or other modifications made, to the discharge grille. Modifications will affect performance or operation.

Operational Issues

IMPORTANT: Locate the unit in a manner that will not prevent, impair, or compromise the performance of other equipment installed in proximity to the unit. Maintain all required minimum distances to gas and electric meters, dryer vents, and exhaust and inlet openings. In the absence of national codes or manufacturers' recommendations, local code recommendations and requirements will take precedence.

- Refrigerant piping and wiring should be properly sized and kept as short as possible to avoid capacity losses and increased operating costs.
- Locate the unit where water runoff will not create a problem with the equipment. Position the unit away from the drip edge of the roof whenever possible. Units are weatherized, but can be affected by the following:
 - Water pouring into the unit from the junction of rooflines, without protective guttering. Large volumes of water entering the unit while in operation can impact fan blade or motor life, and coil damage may occur if moisture cannot drain from the unit under freezing conditions.
- Closely follow the clearance recommendations on page 8.
 - 24" [61.0 cm] to the service panel access
 - 60" [152.4 cm] above fan discharge (unit top) to prevent recirculation
 - 6" [15.2 cm] to coil grille air inlets with 12" [30.5 cm] minimum recommended

Corrosive Environment

The metal parts of this unit may be subject to rust or deterioration if exposed to a corrosive environment. This oxidation could shorten the equipment's useful life.

Corrosive elements include, but are not limited to, salt spray, fog or mist in seacoast areas, sulphur or chlorine from lawn watering systems, and various chemical contaminants from industries such as paper mills and petroleum refineries.

If the unit is to be installed in an area where contaminants are likely to be a problem, special attention should be given to the equipment location and exposure.

- Avoid having lawn sprinkler heads spray directly on the unit cabinet.
- In coastal areas, locate the unit on the side of the building away from the waterfront.
- Shielding provided by a fence or shrubs may give some protection, but cannot violate minimum airflow and service access clearances.
- Elevating the unit off its slab or base enough to allow air circulation will help avoid holding water against the base pan.

⚠ WARNING: Disconnect all power to unit before starting maintenance. Failure to do so can cause electrical shock resulting in severe personal injury or death.

Regular maintenance will reduce the buildup of contaminants and help to protect the unit's finish.

- Frequent washing of the cabinet, fan blade, and coil with fresh water will remove most of the salt or other contaminants that build up on the unit.
- Regular cleaning and waxing of the cabinet with a good automobile polish will provide some protection.
- A good liquid cleaner may be used several times a year to remove matter that will not wash off with water.

INSTALLATION



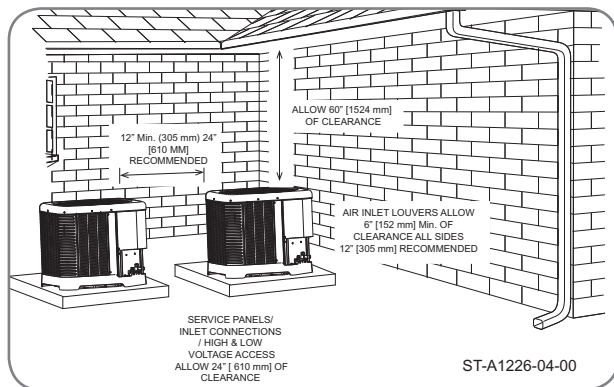
Choosing a Location (cont.)

For Units With Space Limitations

In the event that a space limitation exists, we will permit the following clearances:

Single-Unit Applications: Side clearances below 6" [15.2 cm] will reduce unit capacity and efficiency. Do not reduce the 60" [152.4 cm] discharge or the 24" [61.0 cm] service clearances.

Multiple-Unit Applications: When multiple condenser grille sides are aligned, a 6" [15.2 cm] per unit side clearance is recommended for a total of 12" [30.5 cm] between two units. Two combined clearances below 12" [30.5 cm] will reduce capacity and efficiency. Do not reduce the 60" [152.4 cm] discharge or 24" [61.0 cm] service clearances.



- If installing a unit on a flat roof, use 4" x 4" [10.2 cm x 10.2 cm] or equivalent stringers positioned to distribute unit weight evenly and prevent noise and vibration.

Factory-Preferred Tie-Down Method for High Wind or Seismic Loads

IMPORTANT: The manufacturer-approved/recommended method is a guide to securing equipment for wind and seismic loads. Other methods might provide the same result, but the manufacturer method is the only one endorsed by the manufacturer for securing equipment where wind or earthquake damage can occur. Additional information is available in the PTS (Product Technical Support) section of the manufacturer's Web sites MyRheem.com or MyRuud.com and can be found as a listing under each outdoor model. If you do not have access to this site, your distributor can offer assistance.

Customer Satisfaction Issues

- The unit should be located away from the living, sleeping, and recreational spaces of the owner and those spaces on adjoining property.
- To prevent noise transmission, the mounting pad for the outdoor unit should not be connected to the structure and should be located a sufficient distance above grade to prevent ground water from entering the unit.

Unit Mounting

⚠ WARNING: Secure an elevated unit and its elevating stand in order to prevent tipping. Failure to do so may result in severe personal injury or death.

Location



Tools and Refrigerant

Tools Required for Installing and Servicing R-410A Models

Manifold Sets:

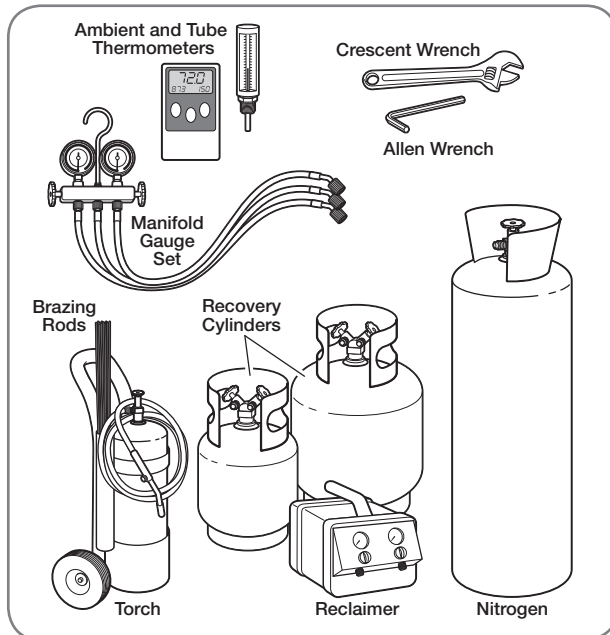
- Up to 800 PSIG High-Side
- Up to 250 PSIG Low-Side
- 550 PSIG Low-Side Retard

Manifold Hoses:

- Service Pressure Rating of 800 PSIG

Recovery Cylinders:

- 400 PSIG Pressure Rating
- Dept. of Transportation 4BA400 or BW400



CAUTION: R-410A systems operate at higher pressures than R-22 systems. Do not use R-22 service equipment or components on R-410A equipment.

Specifications of R-410A

Application: R-410A is not a drop-in replacement for R-22. Equipment designs must accommodate its higher pressures. It cannot be retrofitted into R-22 heat pumps.

Physical Properties: R-410A has an atmospheric boiling point of -62.9°F [-52.7°C] and its saturation pressure at 77°F [25°C] is 224.5 psig.

Composition: R-410A is a near-azeotropic mixture of 50% by weight difluoromethane (HFC-32) and 50% by weight pentafluoroethane (HFC-125).

Pressure: The pressure of R-410A is approximately 60% (1.6 times) greater than R-22. Recovery and recycle equipment, pumps, hoses, and the like must have design pressure ratings appropriate for R-410A. *Manifold sets need to range up to 800 psig high-side and 250 psig low-side with a 550 psig low-side retard. Hoses need to have a service pressure rating of 800 psig. Recovery cylinders need to have a 400 psig service pressure rating, DOT 4BA400 or DOT BW400.*

Combustibility: At pressures above 1 atmosphere, a mixture of R-410A and air can become combustible. **R-410A and air should never be mixed in tanks or supply lines or be allowed to accumulate in storage tanks. Leak checking should never be done with a mixture of R-410A and air.** Leak-checking can be performed safely with nitrogen or a mixture of R-410A and nitrogen.

Quick-Reference Guide For R-410A

- R-410A refrigerant operates at approximately 60% higher pressure (1.6 times) than R-22. Ensure that servicing equipment is designed to operate with R-410A.
- R-410A refrigerant cylinders are light rose in color.
- R-410A, as with other HFCs, is only compatible with POE oils.
- Vacuum pumps will not remove moisture from POE oil used in R-410A systems.
- R-410A systems are to be charged with liquid refrigerants. Prior to March 1999, R-410A refrigerant cylinders had a dip tube. These cylinders should be kept upright for equipment charging. Post-March 1999 cylinders do not have a dip tube and should be inverted to ensure liquid charging of the equipment.
- Do not install a suction line filter drier in the liquid line.
- A factory-approved biflow liquid line filter drier is shipped with every unit and must be installed in the liquid line at the time of installation. Only manufacturer-approved liquid line filter driers can be used. These are Sporlan (CW083S) and Alco (80K083S) driers. These filter driers are rated for minimum working pressure of 600 psig. The filter drier will only have adequate moisture-holding capacity if the system is properly evacuated.
- Desiccant (drying agent) must be compatible for POE oils and R-410A refrigerant.

INSTALLATION



Replacement Units

To prevent failure of a new unit, the existing line set must be correctly sized and cleaned or replaced. Care must be exercised that the expansion device is not plugged. For new and replacement units, a liquid line filter drier must be installed and refrigerant tubing must be properly sized. Test the oil for acid. If positive, a suction line filter drier is mandatory.

IMPORTANT: When replacing an R-22 unit with an R-410A unit, either replace the line set or ensure that residual mineral oil is drained from existing lines, including oil trapped in low spots.



Indoor Coil

CAUTION: Only use evaporators approved for use on R-410A systems that are specifically matched with the outdoor unit per the manufacturer's specification sheets. Use of existing R-22 evaporators can introduce mineral oil to the R-410A refrigerant, forming two different liquids and decreasing oil return to the compressor. This can result in compressor failure.

REFER TO INDOOR COIL MANUFACTURER'S INSTALLATION INSTRUCTIONS.

IMPORTANT: The manufacturer is not responsible for the performance and operation of a mismatched system or for a match listed with another manufacturer's coil.

The electronic expansion valve in the matching coil is specifically designed to operate with R-410A. **DO NOT use an R-22 TXV or evaporator. The existing evaporator must be replaced with the factory-specified EEV evaporator specifically designed for R-410A.**

Location

Do not install the indoor coil in the return duct system of a gas or oil furnace. Provide a service inlet to the coil for inspection and cleaning. Keep the coil pitched toward the drain connection.

CAUTION: When coil is installed over a finished ceiling and/or living area, it is required that a secondary condensate pan be installed under entire unit. Failure to do so can result in property damage.



Interconnecting Tubing

The purpose of this section is to specify the best construction/sizing practices for installing interconnection tubing between the indoor and outdoor unit.

Refrigerant Level Adjustment

All units are factory-charged with R-410A refrigerant to cover 15 feet of standard size interconnecting liquid and vapor lines with a required field installed filter drier. Adjustment of charge may be necessary even if the application has exactly 15 feet of line set due to other installation variables such as pressure drop, vertical lift, and indoor coil size. For different lengths, adjust the charge as indicated below.

- 1/4" ± .3 oz./foot [6.4 mm ± 8.5 g/.30 m]
- 5/16" ± .4 oz./foot [7.9 mm ± 11.3 g/.30 m]
- 3/8" ± .6 oz./foot [9.5 mm ± 17.0 g/.30 m]
- 1/2" ± 1.2 oz./foot [12.7 mm ± 34.0 g/.30 m]
- 6 oz. Required factory supplied field installed filter dry

Charge Adjustment = (Line Set (oz. /ft.) x Total Length) – Factory Charge for Line Set

Example: A three ton condensing unit with factory installed 3/8" liquid service valve requires 75 ft of line set with a liquid line diameter of 1/2".

Factory Charge for Line Set = 15ft x .6 oz. = 9 oz.
Charge Adjustment = (1.2 oz. x 75 ft.) – 9 oz. = +81 oz.



Interconnecting Tubing (cont.)

Interconnecting Tubing and Fitting Losses

Refrigerant tubing is measured in terms of actual length and equivalent length. Actual length is used for refrigerant charge applications. Equivalent length takes into account pressure losses from

tubing length, fittings, vertical separation, accessories, and filter dryers. The table below references different commonly used equivalent lengths.

Table 1

Equivalent Length for Fittings (ft)							
Line Size (in)	90° Short Radius Elbow	90° Long Radius Elbow	45° Elbow	Solenoid Valve	Check Valve	Site Glass	Filter Dryer
3/8	1.3	0.8	0.3	6	4	0.4	6
1/2	1.4	0.9	0.4	9	5	0.6	6
5/8	1.5	1	0.5	12	6	0.8	6
3/4	1.9	1.3	0.6	14	7	0.9	6
7/8	2.3	1.5	0.7	15	8	1	6
1-1/8	2.7	1.8	0.9	22	12	1.5	6

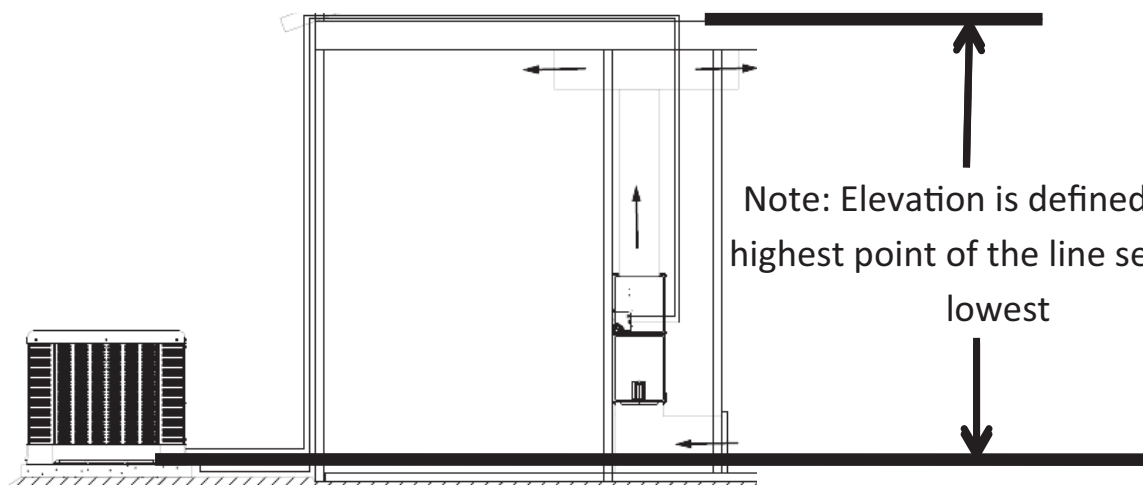
Liquid Line Selection

The purpose of the liquid line is to transport warm sub-cooled liquid refrigerant from the outdoor unit to the indoor unit. It is important not to allow the refrigerant to flash any superheated vapor prior to the expansion device of the indoor coil. The flashing of refrigerant can occur for the following reasons:

- Low refrigerant charge
- Improperly selected liquid line size
- Absorption of heat prior to expansion device
- Excessive vertical rise between the condenser and evaporator

Table 2 lists the equivalent length per 25' of liquid line at various diameters up to 300'. The total pressure drop allowed for the liquid line is 50 PSI. The procedure for selecting the proper liquid line is as follows:

- Measure the total amount of vertical rise
- Measure the total amount of liquid line needed
- Add all of the equivalent lengths associated with any fittings or accessories using the table above.
- Add the total length and fitting pressure drop. This will equal your total equivalent length.
- Reference Table 2 to verify the calculated equivalent length is compatible with the required vertical rise and diameter of liquid line.



INSTALLATION



Interconnecting Tubing (cont.)

Example: A 3-Ton condensing unit is installed 50' below the ID unit, requires a 75' of 1/2" diameter liquid line, and 4 90° LR elbows.

- Fitting Equivalent Length (ft.) = 4 x .9 = 3.6'
- Total Equivalent Length (ft.) = 75' + 3.6' = 78.6'

R-410A System Capacity Model	Liquid Line Size Connection Size (Inch I.D.) [mm]	Liquid Line Size (Inch O.D.) [mm]	Liquid Line Size											
			Elevation (Above or Below) Indoor Coil											
			Total Equivalent Length - Feet [m]											
			25 [7.62]	50 [15.24]	75 [22.86]	100 [30.48]	125 [45.72]	150 [45.72]	175 [53.34]	200 [60.96]	225 [68.58]	250 [76.20]	275 [83.82]	300 [91.44]
			Maximum Vertical Separation - Feet [m]											
			25 [7.62]	N/R	N/R	N/R	N/R	N/R	N/R	N/R	N/R	N/R	N/R	N/R
37	3/8" [9.53]	1/4 [6.35]	25 [7.62]	N/R	N/R	N/R	N/R	N/R	N/R	N/R	N/R	N/R	N/R	N/R
		5/16 [7.94]	25 [7.62]	50 [15.24]	60 [18.29]	45 [13.72]	35 [10.67]	20 [6.1]	5 [1.52]	N/R	N/R	N/R	N/R	N/R
		3/8 [9.53]	25 [7.62]	50 [15.24]	75 [22.86]	80 [24.38]	80 [24.38]	75 [22.86]	70 [21.34]	65 [19.81]	60 [18.29]	55 [16.76]	50 [15.24]	45 [13.72]
		7/16 [11.12]	25 [7.62]	50 [15.24]	75 [22.86]	95 [28.96]	90 [27.43]	90 [27.43]	85 [25.91]	85 [25.91]	85 [25.91]	80 [24.38]	80 [24.38]	80 [24.38]
		1/2 [12.71]	25 [7.62]	50 [15.24]	75 [22.86]	95 [28.96]	95 [28.96]	95 [28.96]	95 [28.96]	95 [28.96]	95 [28.96]	90 [27.43]	90 [27.43]	90 [27.43]

(excerpt from Table 2, page 16)

This application is acceptable because the 50' vertical rise is less than the maximum rise of 75' for this application. The application is also considered to have a long line set. Reference the long line set section of the I&O for detail.

Long Line Set Applications

Long line set applications are defined as applications that require accessories or alternate construction methods. The following are special considerations that need to be addressed when installing a long line set application:

- Additional refrigerant charge
- Fitting losses and maximum equivalent length considerations
- Refrigerant migration during the off cycle
- Oil return to the compressor
- Capacity losses
- System oil level adjustment

Table 2 is used to determine if the application is considered to have a long line set. **The region of the chart that is shaded grey is considered to be a long line set application.**

RA17 OD Model	Compressor	Name Plate Oil Charge (oz)	Factory Installed CCH
RA1724	ZPS20K5E-PFV-130	25	N
RA1736	ZPS30K5E-PFV-130	25	N
RA1748	ZPS40K5E-PFV-130	42	Y
RA1760	ZPS49K5E-PFV-130	42	Y

Oil Level Adjustments for Long Line Set Applications

Additional oil will need to be added for long line set applications. (Ref. Table 2). Below is the equation for the oil level adjustment and the compressor name plate oil charge for the different od units.

$$\text{Oil to be Added} = [(\text{Charge Adjustment} + \text{OD Unit Name Plate Charge (oz.)}) \times (0.022)] - [(0.10) \times (\text{Compressor Name Plate Oil Charge (oz.)})]$$

Example: An application requires 125ft of line set with a liquid line diameter of 3/8", Charge Adjustment = 52.4 oz., Name Plate Charge = 107 oz., Name Plate Oil Charge = 25 oz., Oil to be Added = ((52.4 oz. + 107 oz.) x .022) - (.10 x 25 oz.) = 1.0 oz.



Interconnecting Tubing (cont.)

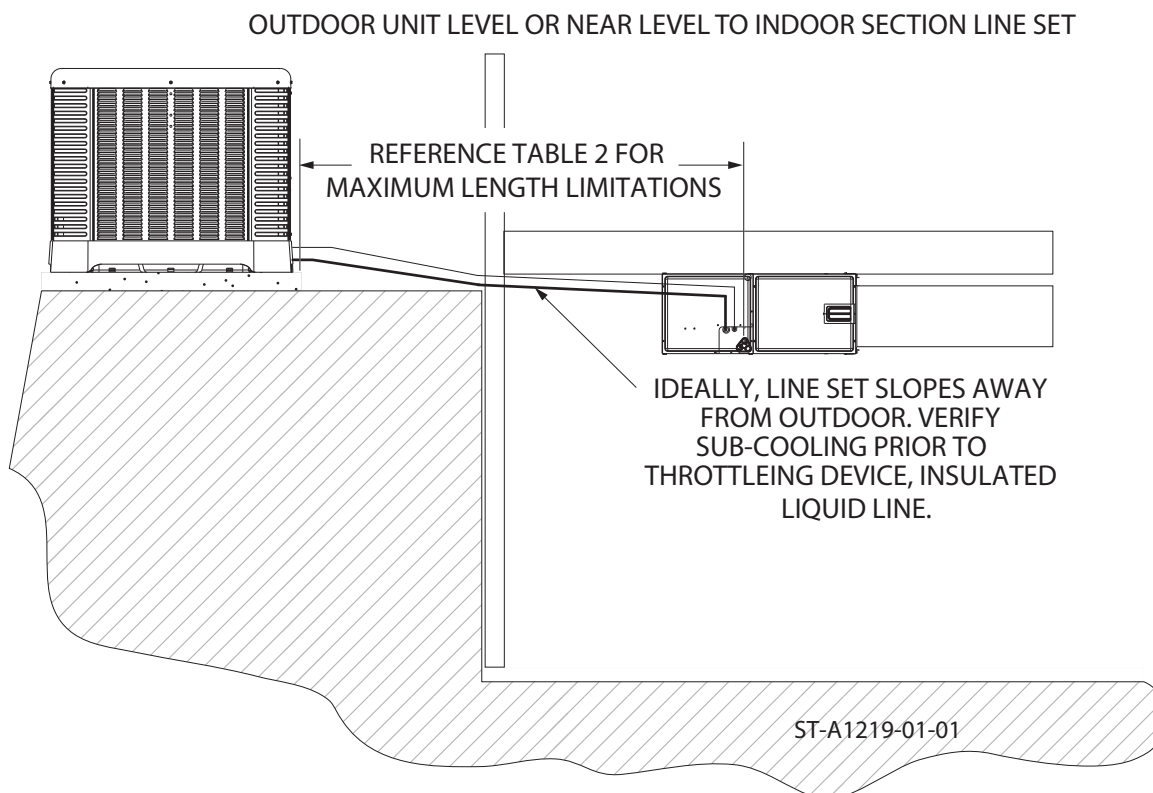
Suction Line Selection

Purpose of the suction line is to return superheated vapor to the condensing unit from the evaporator. Proper suction line sizing is important because it plays an important role in returning oil to the compressor to prevent potential damage to the bearings, valves, and scroll sets. Also, an improperly sized suction line can dramatically reduce capacity and performance of the system. The procedure for selecting the proper suction line is as follows:

- The total amount of suction line needed
- Add all of the equivalent lengths associated with any fittings or accessories using the table on previous page.
- Add the total length and fitting pressure drop. This will equal your total equivalent length.
- Reference Table 2 to verify that the calculated equivalent length falls within the compatibility region of the chart.
- Verify Table 3 to verify the capacity difference is compatible with the application.

Refrigerant Migration During Off Cycle

Long line set applications can require a considerable amount of additional refrigerant. This additional refrigerant needs to be managed throughout the entire ambient operating envelope that the system will go through during its life cycle. Off-Cycle migration is where excess refrigerant condenses and migrates to the lowest part of the system. Excessive build-up of refrigerant at the compressor will result in poor reliability and noisy operation during startup. This section demonstrates the required accessories and unit configuration for different applications.



INSTALLATION



Interconnecting Tubing (cont.)

For applications that are considered to have a long line set with the outdoor unit and indoor unit on the same level the following is required:

- EEV on the indoor unit
- Start components may be required depending upon quality of voltage
- Crankcase heater
- Insulated liquid and suction line
- Vapor line should slope toward the indoor unit
- Follow the proper line sizing, equivalent length, charging requirements, and oil level adjustments spelled out in this document and the outdoor units I&O
- Verify adequate sub-cooling at the ID unit prior to throttling device

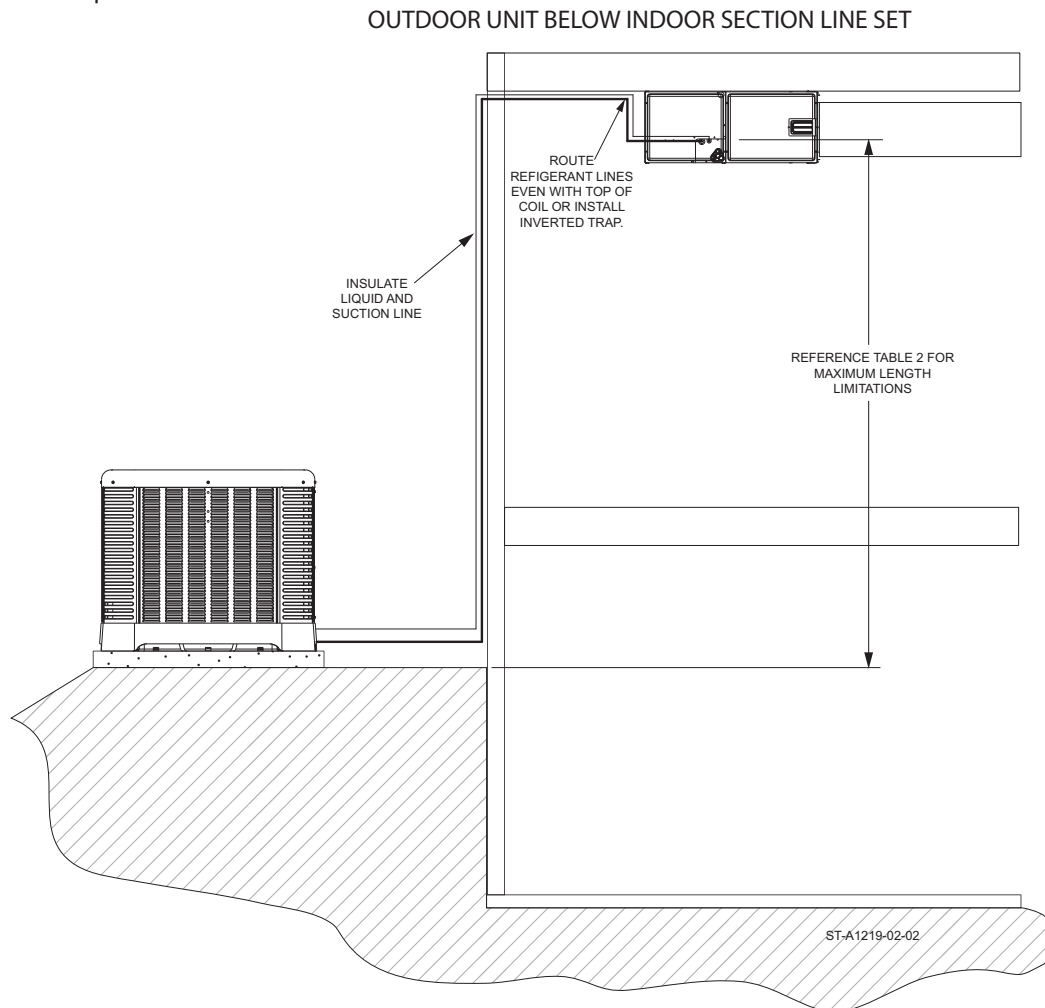


Figure 1

For applications that are considered to have a long line set with the outdoor unit below the indoor unit the following is required:

- EEV at the IDunit
- Crankcase heater
- Start components may be required depending upon quality of voltage
- Inverted vapor-line trap (Reference Figure 3)
- Insulated liquid and suction line
- Follow the proper line sizing, equivalent length, charging requirements, and oil level adjustments spelled out in this document and the outdoor units I&O
- Measure pressure at the liquid line service valve and prior to expansion device. Verify that it is not greater than 50 PSI
- For elevations greater that 25' can expect a lower sub-cooling



Interconnecting Tubing (cont.)

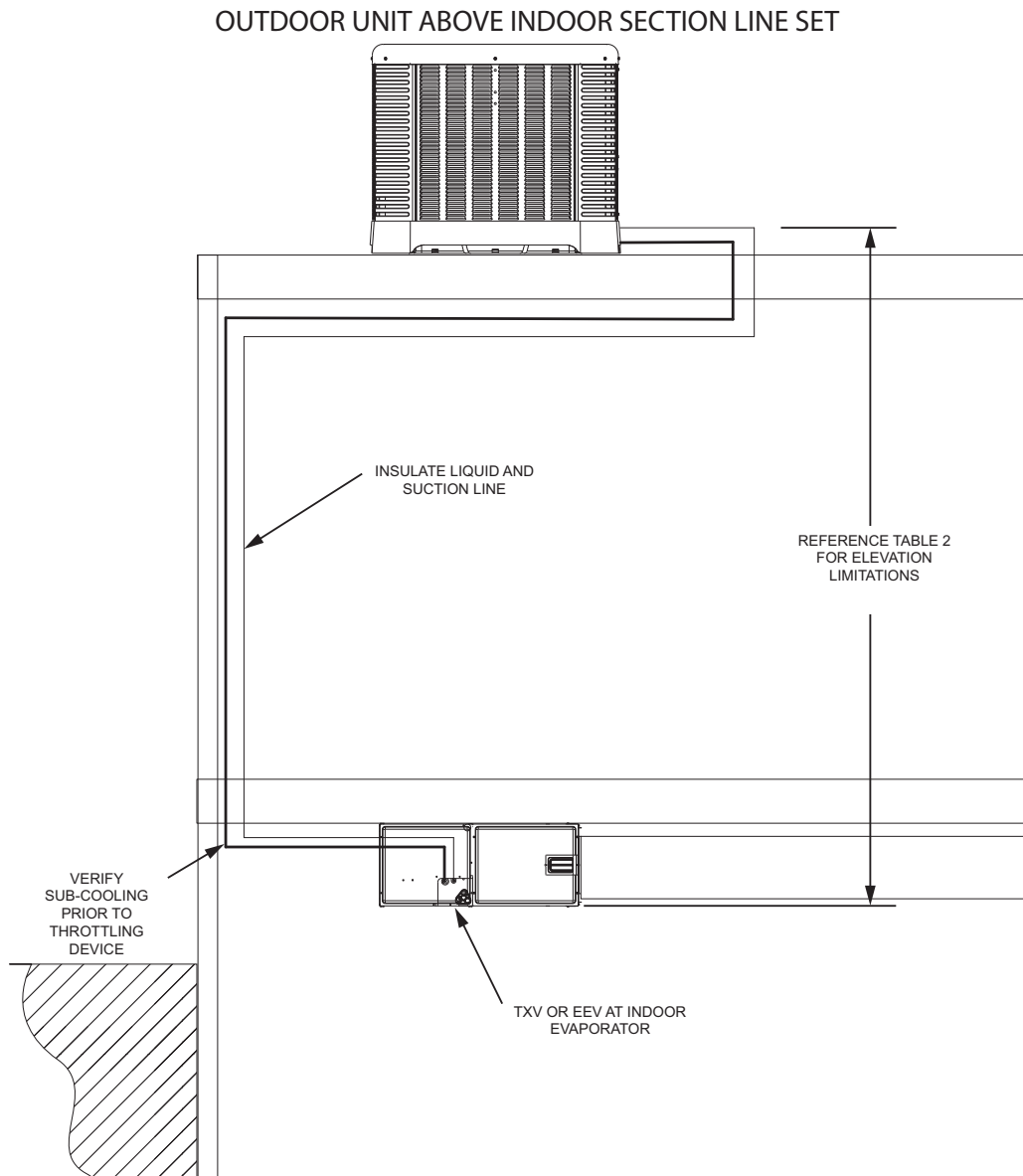


Figure 2

For applications that are considered to have a long line set with the outdoor unit above the indoor unit the following is required:

- EEV at the indoor unit
- Crankcase heater
- Start components maybe required depending upon quality of voltage
- Insulated liquid and suction line
- Follow the proper line sizing, equivalent length, charging requirements, and oil level adjustments spelled out in this document and the outdoor units I&O
- Verify adequate sub-cooling at the ID unit prior to throttling device

INSTALLATION



Interconnecting Tubing

R-410A System Capacity Model	Liquid Line Size Connection Size (Inch I.D.) [mm]	Liquid Line Size (Inch O.D.) [mm]	Liquid Line Size Elevation Above or Below Indoor Coil																	
			Total Equivalent Length - Feet [m]																	
			25 [7.62]	50 [15.24]	75 [22.86]	100 [30.48]	125 [45.72]	150 [45.72]	175 [53.34]	200 [60.96]	225 [68.58]	250 [76.20]	275 [83.82]	300 [91.44]						
24	3/8" [9.53]	1/4 [6.35]	25 [7.62]	45 [13.72]	20 [6.1]	N/R	N/R	65 [19.81]	55 [16.76]	50 [15.24]	45 [13.72]	40 [12.19]	30 [9.14]	25 [7.62]	20 [6.1]	N/R	N/R			
		5/16 [7.94]	25 [7.62]	50 [15.24]	75 [22.86]	70 [21.34]	N/R	N/R	85 [25.91]	80 [24.38]	80 [24.38]	80 [24.38]	85 [25.91]	85 [25.91]	75 [22.86]	70 [21.34]	70 [21.34]	70 [21.34]		
		3/8 [9.53]	25 [7.62]	50 [15.24]	75 [22.86]	75 [22.86]	90 [27.43]	90 [27.43]	90 [27.43]	90 [27.43]	90 [27.43]	90 [27.43]	90 [27.43]	90 [27.43]	85 [25.91]	85 [25.91]	85 [25.91]	85 [25.91]		
		7/16 [11.12]	25 [7.62]	50 [15.24]	75 [22.86]	75 [22.86]	95 [28.96]	95 [28.96]	95 [28.96]	95 [28.96]	95 [28.96]	95 [28.96]	95 [28.96]	95 [28.96]	90 [27.43]	90 [27.43]	90 [27.43]	90 [27.43]		
		1/2 [12.71]	25 [7.62]	50 [15.24]	75 [22.86]	75 [22.86]	N/R	N/R	N/R	N/R	N/R	N/R	N/R	N/R	N/R	N/R	N/R	N/R	N/R	
		1/4 [6.35]	25 [7.62]	50 [15.24]	45 [13.72]	35 [10.67]	20 [6.1]	N/R	N/R	60 [18.29]	51.52 [15.62]	55 [16.76]	50 [15.24]	45 [13.72]	40 [12.19]	30 [9.14]	25 [7.62]	20 [6.1]	N/R	
36	3/8" [9.53]	5/16 [7.94]	25 [7.62]	50 [15.24]	70 [21.34]	75 [22.86]	65 [19.81]	60 [18.29]	60 [18.29]	60 [18.29]	75 [22.86]	70 [21.34]	70 [21.34]	70 [21.34]	70 [21.34]	75 [22.86]	75 [22.86]	75 [22.86]		
		3/8 [9.53]	25 [7.62]	50 [15.24]	75 [22.86]	75 [22.86]	75 [22.86]	75 [22.86]	75 [22.86]	75 [22.86]	75 [22.86]	75 [22.86]	75 [22.86]	75 [22.86]	75 [22.86]	75 [22.86]	75 [22.86]	75 [22.86]	75 [22.86]	
		7/16 [11.12]	25 [7.62]	50 [15.24]	75 [22.86]	75 [22.86]	80 [24.38]	80 [24.38]	80 [24.38]	80 [24.38]	80 [24.38]	80 [24.38]	80 [24.38]	80 [24.38]	80 [24.38]	80 [24.38]	80 [24.38]	80 [24.38]	80 [24.38]	80 [24.38]
		1/2 [12.71]	25 [7.62]	50 [15.24]	75 [22.86]	75 [22.86]	N/R	N/R	N/R	N/R	N/R	N/R	N/R	N/R	N/R	N/R	N/R	N/R	N/R	N/R
		1/4 [6.35]	N/R	N/R	N/R	N/R	N/R	N/R	N/R	N/R	N/R	N/R	N/R	N/R	N/R	N/R	N/R	N/R	N/R	N/R
		5/16 [7.94]	25 [7.62]	50 [15.24]	25 [7.62]	60 [18.29]	55 [16.76]	N/R	N/R	45 [13.72]	40 [12.19]	40 [12.19]	30 [9.14]	25 [7.62]	25 [7.62]	15 [4.57]	10 [3.05]	N/R	N/R	N/R
48	3/8" [9.53]	3/8 [9.53]	25 [7.62]	50 [15.24]	70 [21.34]	75 [22.86]	60 [18.29]	60 [18.29]	60 [18.29]	75 [22.86]	70 [21.34]	70 [21.34]	65 [19.81]	65 [19.81]	60 [18.29]	55 [16.76]	55 [16.76]	55 [16.76]	55 [16.76]	
		7/16 [11.12]	25 [7.62]	50 [15.24]	75 [22.86]	75 [22.86]	80 [24.38]	80 [24.38]	80 [24.38]	80 [24.38]	80 [24.38]	80 [24.38]	80 [24.38]	80 [24.38]	80 [24.38]	80 [24.38]	80 [24.38]	80 [24.38]	80 [24.38]	80 [24.38]
		1/2 [12.71]	25 [7.62]	50 [15.24]	75 [22.86]	75 [22.86]	85 [25.91]	85 [25.91]	85 [25.91]	85 [25.91]	85 [25.91]	85 [25.91]	85 [25.91]	85 [25.91]	85 [25.91]	85 [25.91]	85 [25.91]	85 [25.91]	85 [25.91]	85 [25.91]
		1/4 [6.35]	N/R	N/R	N/R	N/R	N/R	N/R	N/R	N/R	N/R	N/R	N/R	N/R	N/R	N/R	N/R	N/R	N/R	N/R
		5/16 [7.94]	25 [7.62]	30 [9.14]	N/R	N/R	N/R	N/R	N/R	N/R	N/R	N/R	N/R	N/R	N/R	N/R	N/R	N/R	N/R	N/R
		3/8 [9.53]	25 [7.62]	50 [15.24]	55 [16.76]	45 [13.72]	35 [10.67]	25 [7.62]	25 [7.62]	15 [4.57]	15 [4.57]	5 [1.52]	5 [1.52]	5 [1.52]	5 [1.52]	5 [1.52]	5 [1.52]	5 [1.52]	5 [1.52]	5 [1.52]
60	3/8" [9.53]	7/16 [11.12]	25 [7.62]	50 [15.24]	75 [22.86]	75 [22.86]	70 [21.34]	65 [19.81]	60 [18.29]	60 [18.29]	55 [16.76]	55 [16.76]	55 [16.76]	50 [15.24]	45 [13.72]	40 [12.19]	40 [12.19]	40 [12.19]		
		1/2 [12.71]	25 [7.62]	50 [15.24]	75 [22.86]	75 [22.86]	80 [24.38]	80 [24.38]	80 [24.38]	80 [24.38]	80 [24.38]	80 [24.38]	80 [24.38]	80 [24.38]	80 [24.38]	80 [24.38]	80 [24.38]	80 [24.38]	80 [24.38]	
		1/4 [6.35]	25 [7.62]	30 [9.14]	N/R	N/R	N/R	N/R	N/R	N/R	N/R	N/R	N/R	N/R	N/R	N/R	N/R	N/R	N/R	N/R
		5/16 [7.94]	25 [7.62]	50 [15.24]	55 [16.76]	45 [13.72]	35 [10.67]	25 [7.62]	25 [7.62]	15 [4.57]	15 [4.57]	5 [1.52]	5 [1.52]	5 [1.52]	5 [1.52]	5 [1.52]	5 [1.52]	5 [1.52]	5 [1.52]	
		3/8 [9.53]	25 [7.62]	50 [15.24]	75 [22.86]	75 [22.86]	70 [21.34]	65 [19.81]	60 [18.29]	60 [18.29]	55 [16.76]	55 [16.76]	55 [16.76]	50 [15.24]	45 [13.72]	45 [13.72]	40 [12.19]	40 [12.19]	40 [12.19]	
		1/2 [12.71]	25 [7.62]	50 [15.24]	75 [22.86]	75 [22.86]	80 [24.38]	80 [24.38]	80 [24.38]	80 [24.38]	80 [24.38]	80 [24.38]	80 [24.38]	80 [24.38]	80 [24.38]	80 [24.38]	80 [24.38]	80 [24.38]	80 [24.38]	80 [24.38]

NOTES:

N/R = Application not recommended.

Grey = This application is acceptable, but the long line guidelines must be followed. Reference Long Line Set section in the I&O.

INSTALLATION

 Interconnecting Tubing (cont.)

R-410A System Capacity Model	Vapor Line Connection Size (Inch I.D.) [mm]	Vapor Line Size (Inch O.D.) [mm]	Vapor Line Selection Chart Capacity Multiplier Table															
			Total Equivalent Length - Feet [m]															
			25 [7.62]	50 [15.24]	75 [22.86]	100 [30.48]	125 [45.72]	150 [45.72]	175 [53.34]	200 [60.96]	225 [68.58]	250 [76.20]	275 [83.82]	300 [91.44]				
24	3/4" [19.06]	5/8 [15.88]	0.99	1.00	0.97	0.98	0.98	0.96	0.96	0.99	0.99	0.95	0.94	0.95	0.97	0.94	0.93	
		3/4 [19.05]	1.00	1.00	0.99	0.99	1.00	0.99	0.99	0.99	0.99	0.99	0.99	0.99	0.99	0.99	0.98	
		7/8 [22.23]	1.01	1.01	1.00	1.00	1.00	0.99	0.99	0.99	0.99	0.99	0.99	0.99	0.99	0.99	0.99	
		1 [25.4]	N/R	N/R	N/R	N/R	N/R	N/R	N/R	N/R	N/R	N/R	N/R	N/R	N/R	N/R	N/R	
		1-1/8 [28.58]	N/R	N/R	N/R	N/R	N/R	N/R	N/R	N/R	N/R	N/R	N/R	N/R	N/R	N/R	N/R	N/R
		5/8 [15.88]	0.99	0.98	0.97	0.95	0.98	0.93	0.91	0.91	0.91	0.97	0.91	0.9	0.88	0.87	0.82	0.86
36	3/4" [19.06]	3/4 [19.05]	1.00	0.99	0.99	0.98	0.98	0.98	0.98	0.98	0.97	0.97	0.96	0.96	0.96	0.95	0.95	
		7/8 [22.23]	1.01	1.00	1.00	1.00	0.99	0.99	0.99	0.99	0.99	0.99	0.99	0.99	0.99	0.99	0.99	
		1 [25.4]	1.01	1.01	1.01	1.00	1.00	1.00	1.00	1.00	1.00	1.00	1.00	1.00	1.00	1.00	1.00	
		1-1/8 [28.58]	N/R	N/R	N/R	N/R	N/R	N/R	N/R	N/R	N/R	N/R	N/R	N/R	N/R	N/R	N/R	
		5/8 [15.88]	0.97	0.96	0.93	0.91	0.89	0.88	0.87	0.87	0.85	0.85	0.83	0.83	0.82	0.82	N/R	
		3/4 [19.05]	0.99	0.98	0.98	0.96	0.96	0.95	0.94	0.94	0.94	0.94	0.93	0.93	0.92	0.92	N/R	
48	7/8" [22.25]	7/8 [22.23]	1.00	1.00	0.99	0.99	0.98	0.98	0.98	0.98	0.97	0.97	0.96	0.96	0.96	N/R	N/R	
		1 [25.4]	N/R	N/R	N/R	N/R	N/R	N/R	N/R	N/R	N/R	N/R	N/R	N/R	N/R	N/R	N/R	
		1-1/8 [28.58]	N/R	N/R	N/R	N/R	N/R	N/R	N/R	N/R	N/R	N/R	N/R	N/R	N/R	N/R	N/R	N/R
		5/8 [15.88]	0.96	0.93	0.91	0.88	0.86	0.84	0.83	0.83	0.83	0.83	0.83	0.83	0.82	0.82	N/R	
		3/4 [19.05]	0.99	0.97	0.96	0.95	0.94	0.93	0.92	0.92	0.92	0.91	0.91	0.91	0.91	0.91	N/R	
		7/8 [22.23]	1.00	0.99	0.98	0.98	0.97	0.97	0.97	0.97	0.96	0.96	0.96	0.96	0.96	0.96	N/R	
60	7/8" [22.25]	1 [25.4]	N/R	N/R	N/R	N/R	N/R	N/R	N/R	N/R	N/R	N/R	N/R	N/R	N/R	N/R	N/R	
		1-1/8 [28.58]	N/R	N/R	N/R	N/R	N/R	N/R	N/R	N/R	N/R	N/R	N/R	N/R	N/R	N/R	N/R	
		5/8 [15.88]	0.96	0.93	0.91	0.88	0.86	0.84	0.83	0.83	0.83	0.83	0.83	0.82	0.82	N/R		
		3/4 [19.05]	0.99	0.97	0.96	0.95	0.94	0.93	0.92	0.92	0.92	0.91	0.91	0.91	0.91	0.91	N/R	
		7/8 [22.23]	1.00	0.99	0.98	0.98	0.97	0.97	0.97	0.97	0.96	0.96	0.96	0.96	0.96	0.96	N/R	
		1 [25.4]	N/R	N/R	N/R	N/R	N/R	N/R	N/R	N/R	N/R	N/R	N/R	N/R	N/R	N/R	N/R	

NOTES:
 N/R = Application not recommended.
 All calculations assume a 3/8" liquid line

Table 3

INSTALLATION



Interconnecting Tubing (cont.)

Tubing Installation

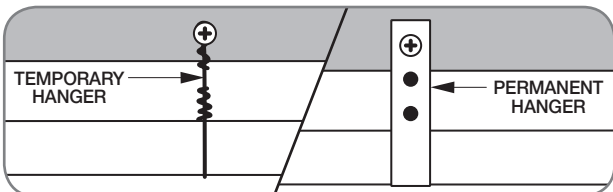
Observe the following when installing correctly sized type “L” refrigerant tubing between the condensing unit and evaporator coil:

- Check the tables on pages 16 & 17 for the correct suction line size and liquid line size.
- If a portion of the liquid line passes through a very hot area where liquid refrigerant can be heated to form vapor, insulating the liquid line is required.
- Use clean, dehydrated, sealed refrigeration-grade tubing.
- Always keep tubing sealed until tubing is in place and connections are to be made.
- A high-quality filter drier is included with all R-410A units and must be installed in the liquid line upon unit installation.
- When replacing an R-22 system with an R-410A system and the line set is not replaced, drain any oil that has pooled in low spots in the lineset. Commercially available flush kits are not recommended due to the risk of residual flushing agent being incompatible with POE oils or internal components. Up to 5% mineral oil is considered acceptable in R-410A systems.
- If tubing has been cut, make sure ends are deburred while holding in a position to prevent chips from falling into tubing. Burrs such as those caused by tubing cutters can affect performance dramatically, particularly on small liquid line sizes.
- For best operation, keep tubing run as short as possible with a minimum number of elbows or bends.
- Locations where the tubing will be exposed to mechanical damage should be avoided. If it is necessary to use such locations, the copper tubing should be housed to prevent damage.

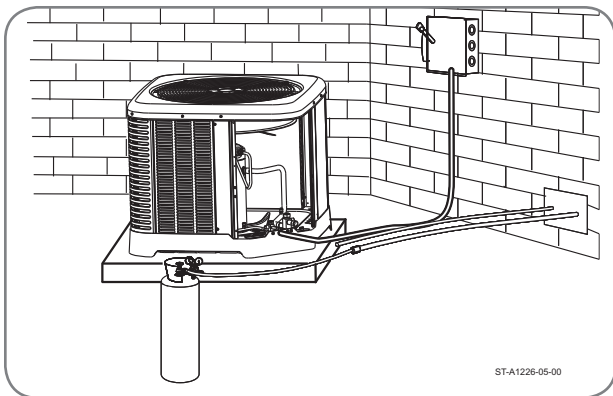


Interconnecting Tubing (cont.)

- If tubing is to be run underground, it must be run in a sealed watertight chase.
- Use care in routing tubing and do not kink or twist. Use a good tubing bender on the vapor line to prevent kinking.



- Route the tubing using temporary hangers; then straighten the tubing and install permanent hangers. Line must be adequately supported.
- If the vapor line comes in contact with inside walls, ceiling, or flooring, the vibration of the vapor line in the heating mode will result in noise inside the structure.

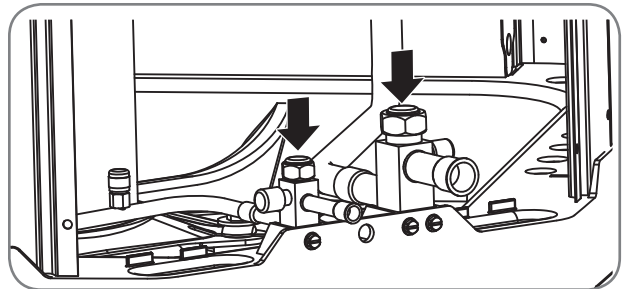


- Blow out the liquid and vapor lines with dry nitrogen before connecting to the outdoor unit and indoor coil. Any debris in the line set will end up plugging the expansion device.

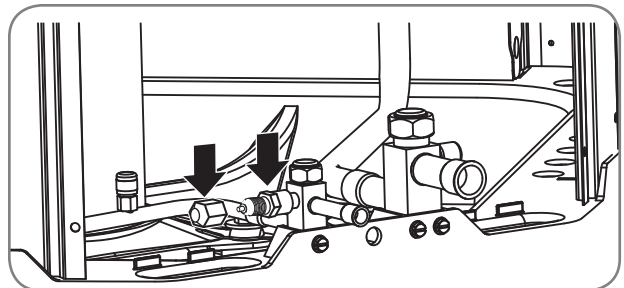
Tubing Connections

Indoor coils have only a holding charge of dry nitrogen. Keep all tube ends sealed until connections are to be made.

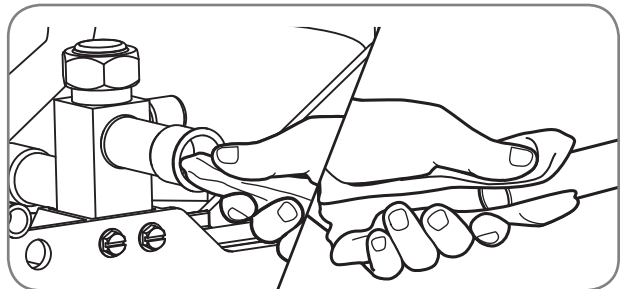
- Use type “L” copper refrigeration tubing. Braze the connections with the following alloys:
 - copper to copper, 5% silver minimum
 - copper to steel or brass, 15% silver minimum



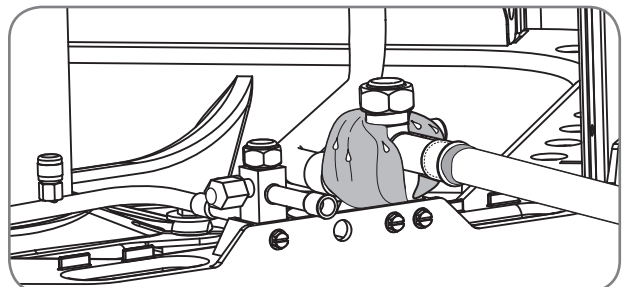
- Be certain both refrigerant shutoff valves at the outdoor unit are closed.



- Remove the caps and Schrader cores from the pressure ports to protect seals from heat damage. Both the Schrader valves and the service valves have seals that may be damaged by excessive heat.



- Clean the inside of the fittings and outside of the tubing with a clean, dry cloth before soldering. Clean out debris, chips, dirt, etc., that enters tubing or service valve connections.

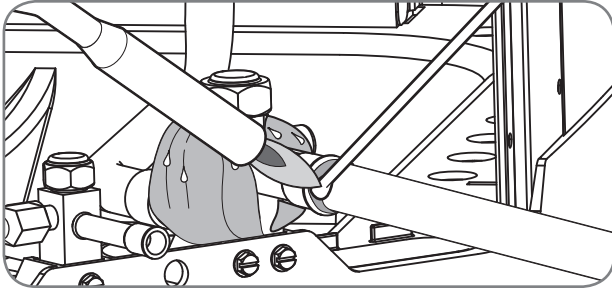


- Wrap valves with a wet rag or thermal barrier compound before applying heat.

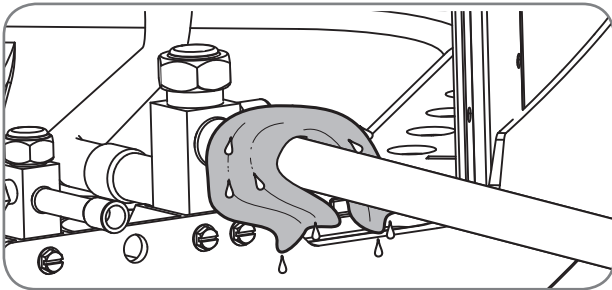
INSTALLATION



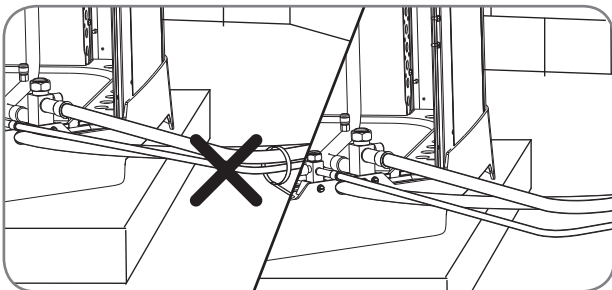
Interconnecting Tubing (cont.)



- Braze the tubing between the outdoor unit and indoor coil. Flow dry nitrogen into a pressure port and through the tubing while brazing, but do not allow pressure inside tubing which can result in leaks. Once the system is full of nitrogen, the nitrogen regulator should be turned off to avoid pressuring the system.



- After brazing, use an appropriate heatsink material to cool the joint.
- Reinstall the Schrader cores into both pressure ports.

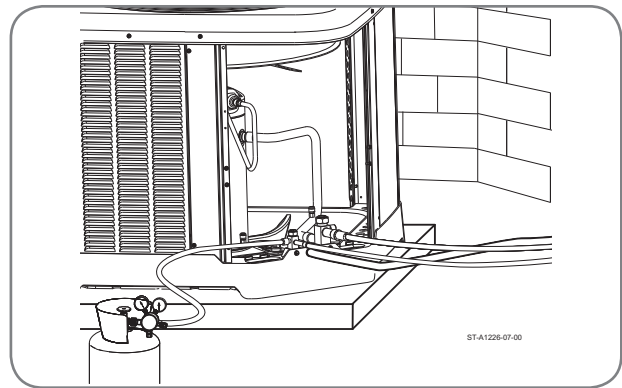


- Do not allow the vapor line and liquid line to be in contact with each other. This causes an undesirable heat transfer resulting in capacity loss and increased power consumption.

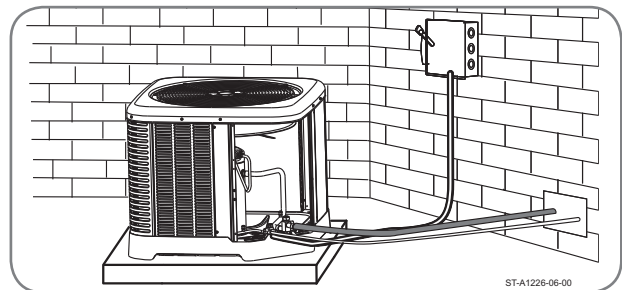
Leak Testing

Indoor coils have only a holding charge of dry nitrogen. Keep all tube ends sealed until connections are to be made.

⚠WARNING: Do not use oxygen to purge lines or pressurize system for leak test. Oxygen reacts violently with oil, which can cause an explosion resulting in severe personal injury or death.



- Pressurize line set and coil through service fittings with dry nitrogen to 150 PSIG maximum. Close nitrogen tank valve, let system sit for at least 15 minutes, and check to see if the pressure has dropped. If the pressure has dropped, check for leaks at the line set braze joints with soap bubbles and repair leak as necessary. Repeat pressure test. If line set and coil hold pressure, proceed with line set and coil evacuation (see page 21).



- The vapor line must be insulated for its entire length to prevent dripping (sweating) and prevent performance losses. Closed-cell foam insulation such as Armaflex and Rubatex® are satisfactory insulations for this purpose. Use 1/2" [12.7 mm] minimum insulation thickness. Additional insulation may be required for long runs.



Condensing Units

Condensing Units Equipped with the EcoNet™ Enabled 2-Stage Control System

EcoNet™ enabled is the next generation of the Integrated Compressor Control (ICC) and is an integral part of the EcoNet™ Communication System with the following features:

Control Description (see Figure 1)

Dual 7-Segment LED

- Displays status and diagnostic codes (see Status and Diagnostic Description)
- Displays diagnostic/fault recall (see Test Mode/Fault Recall)

⚠ CAUTION: UNIT MAY START SUDDENLY AND WITHOUT WARNING. Solid red light indicates a thermostat call for unit operation is present at the ICC control. ICC control will attempt to start unit after short cycle timer expires or when in Active Protection mode will attempt to restart unit prior to Lockout mode.

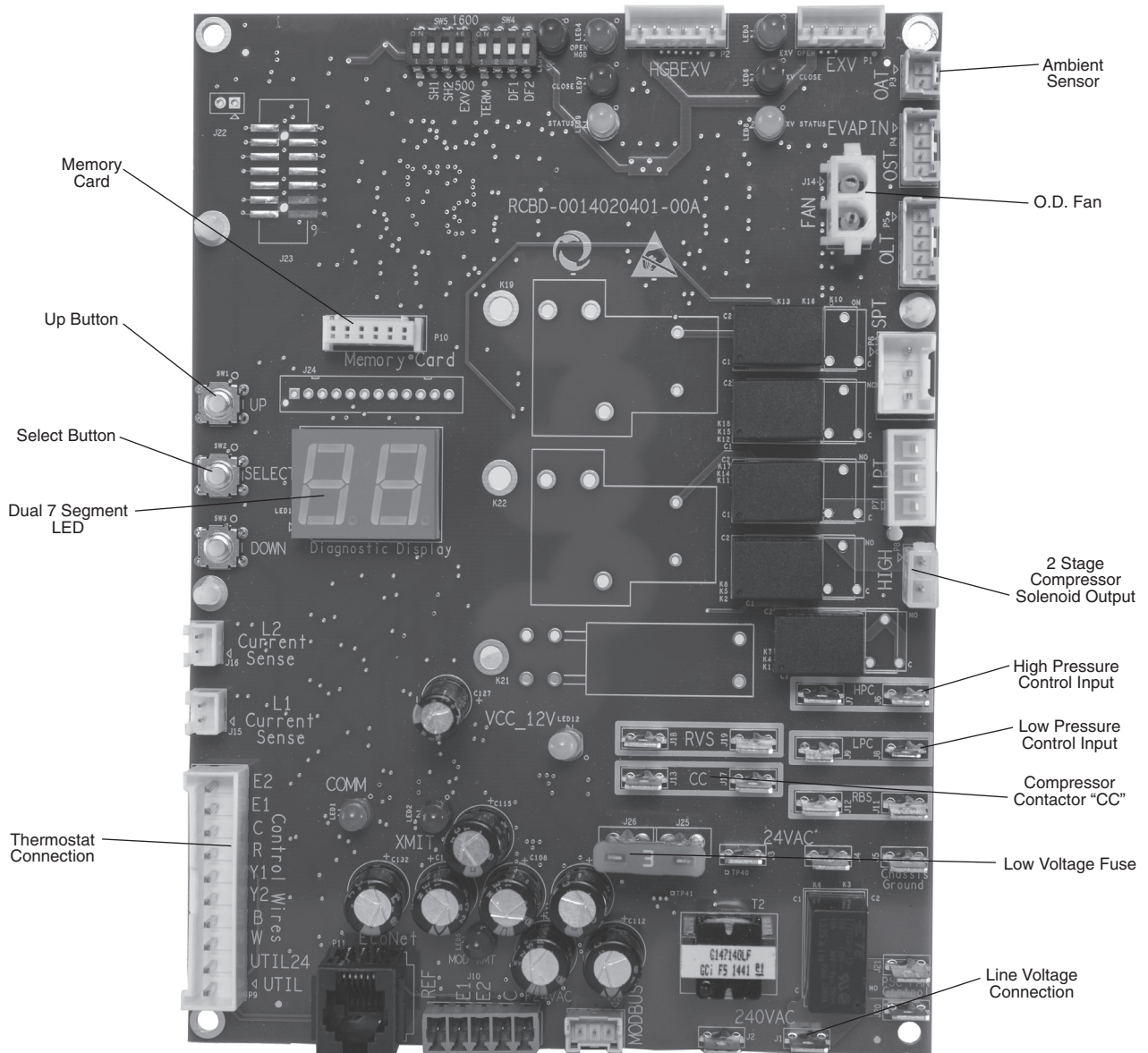
Line Voltage Connector

- Line voltage is connected to control board at terminals 240VAC

Thermostat Connector (P9)

- R – 24VAC from the indoor unit 24VAC transformer (40 VA minimum)

Figure 1. EcoNet Communication System™ Board



EcoNet Enabled 2-Stage Control™

INSTALLATION



Condensing Units

- C – 24VAC Common from the indoor unit 24VAC transformer
- E – 1-Data: System Communications Line 1
- E – 2-Data: System Communications Line 2

Low Volt Fuse

- If required replace with 3 A automotive ATC style blade fuse

Low Pressure Control (LPC Input)

- Low-pressure control is factory installed
- Low pressure control is an automatic resetting device

High Pressure Control (HPC Input)

- High-pressure control is factory installed.
- High pressure control is an automatic resetting device

Ambient Temperature Sensor (included with all applications)

- Included with all applications

UP and Select Buttons

- UP and Select buttons used to enter Test and Fault Recall Mode

Memory Card

- The memory card stores all unit information.
- The unit information is called model data
- The shared data is all the information needed for proper unit operation.

EcoNet Communication System™ Control Wiring

- The EcoNet Communication System™ consists of:
- Serial communicating or condensing unit equipped with the EcoNet Communication System™
- Air handler or furnaces equipped with the EcoNet Communication System™
- EcoNet Communication thermostat

IMPORTANT: If the installed system does not meet these requirements, the system must be wired using traditional control wiring, reference Section 11.7 Conventional 24VAC Thermostat Control Wiring.

The EcoNet Communication System™ requires four (4) control wiring for unit operation:

- R – 24VAC
- C – 24VAC common
- E1 – Data Wire 1
- E2 – Data wire 2

NOTE: EcoNet Communication System™ requires 18 AWG thermostat wire.

If the low voltage control wiring is run in conduit with the power supply, Class I insulation is required. Class II insulation is required if run separate. Low voltage wiring may be attached to the pigtails from the bottom of the control box. Conduit can be run to the control box if desired.

The EcoNet Communication System™ air handler or EcoNet Communication System™ furnace transformer is equipped with a 24 volt, 50 VA transformer for proper system operation. See the wiring diagram for reference. Use Table 4 to size the 24-volt control wiring.

The four 18AWG low voltage control wires must be installed from the thermostat to the indoor unit and from indoor unit to the outdoor unit. The wire length between the thermostat and indoor unit should not be greater than 100 feet. The wire length between the indoor unit and outdoor unit should not be greater than 125 feet.

EcoNet Communication System™ ICC Control Operation

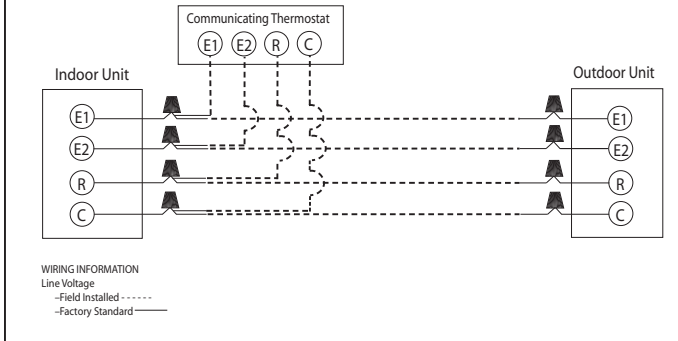
Installation Verification

- 24V AC power on R&C must be present at the ICC for it to operate



Condensing Units

FIGURE 2
TYPICAL ECONET COMMUNICATING SYSTEM™ WIRING DIAGRAM



- Line voltage must be present at the ICC for the compressor and the outdoor fan to operate
- The ICC displays a “0” for standby mode. Standby mode indicates line voltage and 24VAC are present at the ICC and there is not a command for unit operation from the EcoNet 2-Stage Control™ enabled thermostat.



Zero (0) displayed
The unit is in standby

Command for Compressor Operation

- If a command for compressor operation is received by the ICC (first stage/second stage cooling or first stage/second stage heating)
- The ICC has an on/off fan delay of one (1) second for each stage of heating or cooling.
- The ICC ignores the low pressure control for the first 90 seconds of compressor operation.
- The dual 7-segment LED displays five (5) operational status codes.

1) First Stage Cooling Operation – When the ICC receives a command for first stage cooling operation, a lower case “c” is displayed on the dual 7-segment LEDs.



Lower case “c” indicates first stage cooling operation

2) Second Stage Cooling Operation – When the ICC receives a command for second stage cooling operation, an upper case “C” is displayed on the dual 7-segment LEDs.



Upper case “C” indicates second stage cooling operation

3-minute Anti-Short Cycle Timer

- The ICC has a built in 3-minute time delay between compressor operations to protect the compressor against short cycling. The dual 7-segment LEDs will flash “c” or “C” while the short cycle timer is active and a command for unit operation is received.



Flashing lower case c
A command for first stage cooling has been received



Flashing upper case C
A command for second stage cooling has been received

- The 3-minute time delay can be bypassed when a command for compressor operation is present by pressing the UP button. The compressor will begin operation and the dual 7-segment will stop flashing.

30 Second Minimum Run Timer

- The ICC has a built in minimum unit run time. If a command for compressor operation is received by the ICC and the command is removed, the compressor will continue to operate. The dual 7-segment LEDs will flash “c” or “C” while the minimum run timer is active.

1 Second Compressor/Fan Delay

- The ICC starts/stops the outdoor fan one (1) second after the start/stop of the compressor upon a command for compressor operation to minimize current inrush and/or voltage drop.

INSTALLATION



Active Compressor Protection Mode

- The ICC actively protects the compressor from harmful operation during a fault condition.
- When the ICC detects a condition that could damage the compressor, the ICC will enter active protection mode and lockout compressor operation.
- The condition causing active protection must be resolved then the ICC can be reset to restart the system.
- There are five (5) active protection modes:

1) Low Pressure Control Lockout

- The ICC will display a flashing “21” followed by a flashing “L” when a low pressure control lockout occurs.
- The ICC addresses low pressure control faults differently depending on the mode of unit operation (cooling or heating mode).



Active Protection – Code 21L – Open low pressure control

Cooling Mode

- If the LPC opens three (3) times during the same command for cooling operation, the ICC will lockout the compressor to keep it from continuing to operate and flash a “21” on the dual 7-segment LEDs followed by an “L”.

IMPORTANT: This mode of active protection must be manually reset.

2) High Pressure Control Lockout

- If the HPC opens three (3) times during the same command for unit operation, the ICC will lockout the compressor to keep it from continuing to operate and flash a “29” on the dual 7-segment LEDs followed by an “L”.



Active Protection – Code 29L – Open high pressure control

IMPORTANT: This mode of active protection must be manually reset.

3) Compressor Protector Trip

- If ICC detects a protector trip it will display a “5”. If protector doesn't reset within 4 hours, the ICC display will change to “L5”.



Compressor Protector – Code 5 – Protector Trip

4) Open Start Circuit Lockout

- The ICC will display a flashing “6L” followed by a flashing “L” when a locked rotor condition occurs.



Active Protection – Code 6L – Compressor open start circuit

If the ICC detects current in the run circuit without current present in the start circuit, the ICC will lockout the compressor to keep it from continuing to operate and flash an “6L” on the dual 7-segment LEDs followed by a “06”.

IMPORTANT: This mode of active protection must be manually reset.



Active Compressor Protection Mode

7

Active Protection – Code 7 – Compressor open run circuit

If the ICC detects current in the start circuit without current present in the run circuit, the ICC will lockout the compressor to keep it from continuing to operate and flash an “L” on the dual 7-segment LEDs followed by a “07”.

IMPORTANT: This mode of active protection must be manually reset.

Exiting Active Compressor Protection Lockout

There are three methods to reset the ICC after an active protection lockout:

- 1) Cycle the line voltage to the unit
- 2) Cycle 24VAC to the ICC (remove the R or C connection to the ICC)
- 3) Push the TEST button down with an insulated probe for one (1) second and release

NOTE: The ICC will attempt to start the unit when the TEST button is pressed and released

NOTE: The preferred method of resetting the ICC is to push the TEST button down for one (1) second.

Test and Fault Recall Modes

Test Mode (Test Button on the ICC)

- Enter TEST mode by pressing the UP button with an insulated probe for five (5) seconds and release.
- The TEST mode causes the ICC to do the following
 - 1) Resets the ICC from any active protection lockout mode
 - 2) Resets the 4-minute anti-short cycle timer
 - 3) Energizes the unit without a command for unit operation

- If the 4-minute anti-short cycle timer or 30 second minimum run timer is active (a flashing “c” or “C” is displayed on the dual 7-segment LEDs) and a command for unit operation is present, TEST mode causes:
 - 1) A “c” to display momentarily on the dual 7-segment display
 - 2) The compressor will start and the outdoor fan will operate
 - 3) The display will change to a steady “c” or “C” to show the current command for unit operation.

NOTE: If a command for unit operation is present at the end of TEST mode will cause the unit to continue to operate.

- If no command for unit operation is present, TEST mode causes

- 1) A steady “c” appears on the dual 7-segment LEDs
- 2) The compressor will start
- 3) The compressor will turn off after 5-seconds.

Note: Entering TEST mode without a command for unit operation will cause the compressor to run 5-seconds.

Fault Recall Mode

- Enter **FAULT RECALL** mode by pressing the **UP** and **SELECT** buttons at the same time with insulated probes for five (5) seconds and release.
- Press SELECT when an alarm is shown for 5 seconds will clear fault history. 00 no faults or history has been cleared
- FC is displayed for fault history. Press SELECT to show most recent fault. Continue to press UP to show other alarms.
- Each fault is displayed with the most recent fault displayed first.
- A maximum of six individual faults can be stored
- A “0” will be displayed with no faults are stored
- The ICC will automatically exit the **FAULT RECALL** mode after displaying stored faults

INSTALLATION



Active Compressor Protection Mode

Clear Fault History (UP and SELECT Buttons)

- Clear FAULT HISTORY by pressing both UP and SELECT button for five (5) seconds with insulated probes and release.
- The top and bottom segments of the dual 7-segment LEDs flash to indicate the history has been cleared.

NOTE: The memory card for the system has specific model data for this system. The memory card is attached to the control box with a tether. The tether has an identification tag that can be used to identify the memory card. For the system data fault D1 reference the label on the memory card tether.

The series of heat pumps allow the installer to use conventional 24VAC control wiring and a conventional thermostat for proper unit operation.










IMPORTANT: The preferred method of unit installation and operation is with the *EcoNet Communication System™*. The *EcoNet Communication System™* allows access to the

INSTALLATION

ECONET COMMUNICATION SYSTEM™ CONTROL WIRING AND CONVENTIONAL THERMOSTAT WIRING ICC DIAGNOSTIC CODES

ICC Diagnostic Codes

Descriptions of the ICC diagnostic codes are provided below:

Dual 7-Segment LEDs Display Code	Diagnostic Description	Status/Possible Cause – Troubleshooting Information
	0 – Standby No command for unit operation	Normal operation
	c - First Stage Cooling Unit has received a command for first stage cooling	Normal operation
 FLASHING	c - Anti-short cycle timer (3 minutes) or Minimum run timer (30 seconds) active	<ul style="list-style-type: none"> The unit has received a command for first stage cooling during an active anti-short cycle timer or minimum run timer. Wait until unit timer has expired or press the TEST button to defeat short cycle delay.
	C - Second Stage Cooling Unit has received a command for second stage cooling	Normal operation
 FLASHING	C - Anti-short cycle timer (3 minutes) or Minimum run timer (30 seconds) active	<ul style="list-style-type: none"> The unit has received a command for second stage cooling during an active anti-short cycle timer or minimum run timer. Wait unit timer has expired or press the TEST button to defeat short cycle delay.
	P – Protector Trip A command for compressor operation is present but no current is measured to the compressor	<ul style="list-style-type: none"> Motor protector open Line voltage disconnected
	01 – Long Run Time (Compressor) The compressor has continuously run for more than 18 hours in the cooling mode.	<ul style="list-style-type: none"> Low refrigerant charge Air ducts have substantial leakage Dirty indoor air filter Dirty outdoor coil
	02 – High Side Fault Compressor limit has opened four (4) times within a call for operation	<ul style="list-style-type: none"> Outdoor coil is dirty (cooling mode) Outdoor fan is not running (cooling mode) Dirty indoor coil or filter (heating mode) Indoor blower is not running (heating mode) Liquid line restriction Excessive refrigerant charge
	03 – Short Cycling The ICC detects the run time for the past four (4) compressor cycles is less than three (3) minutes each.	<ul style="list-style-type: none"> Check thermostat wire connections (R, C, 1, & 2) Check thermostat location in zone (too close to discharge grill)

INSTALLATION

Dual 7-Segment LEDs Display Code	Diagnostic Description	Status/Possible Cause – Troubleshooting Information
05	05 – Open circuit (Compressor will not Run) <ul style="list-style-type: none"> The ICC has had a protector trip for longer than 4 hours 	<ul style="list-style-type: none"> Check for damaged, miswired, or wrong run capacitor Check for broken wires, loose connectors, or miswired compressor Check compressor windings for continuity Check for open compressor internal protector
06	06 – Compressor Open Start Circuit The ICC detects current in the Run circuit but not in the Start circuit of the compressor	<ul style="list-style-type: none"> Check for damaged, miswired, or wrong run capacitor Check for broken wires, loose connectors, or miswired compressor Check compressor windings for continuity
6L	6L – Compressor Open Start Circuit The ICC detects current in the Run circuit but not in the Start circuit of the compressor four (4) times in one compressor call	<ul style="list-style-type: none"> Check for damaged, miswired, or wrong run capacitor Check for broken wires, loose connectors, or miswired compressor Check compressor windings for continuity Check for a compressor locked rotor
21	21 – Low Pressure Control Open The ICC detects the LPC is open. Note: The low pressure control is ignored for the first 90 seconds of compressor operation	<ul style="list-style-type: none"> Unit has low refrigerant charge Indoor coil is frozen (cooling mode) Dirty indoor coil or filter (cooling mode) Indoor blower is not running (cooling mode) Outdoor coil is frozen (heating mode) Expansion valve is not operating correctly
21 L FLASHING	21L – Active Protection Low Pressure Control Trip	LPC has opened 3 times in the same cooling operation, the ICC has locked out the compressor to protect it. ICC alternately flashes L and 21

INSTALLATION

Dual 7-Segment LEDs Display Code	Diagnostic Description	Status/Possible Cause – Troubleshooting Information
29	29 – High Pressure Control Open The ICC detects the HPC is open	<ul style="list-style-type: none"> • Outdoor coil is dirty (cooling mode) • Outdoor fan is not running (cooling mode) • Dirty indoor coil or filter (heating mode) • Indoor blower is not running (heating mode) • Liquid line restriction • Excessive refrigerant charge
29 L FLASHING	29L – Active Protection High Pressure Control Trip	LPC has opened 3 times in the same cooling operation, the ICC has locked out the compressor to protect it. ICC alternately flashes L and 29
48	No Voltage Compressor	<ul style="list-style-type: none"> • Check to ensure power to compressor is correct • Check capacitor
49	Welded Relay	<ul style="list-style-type: none"> • Check system to ensure proper operation
83	83 – Condenser Coil Temperature Fault The sensor detects an abnormally low or high coil temperature	<ul style="list-style-type: none"> • Replace the sensor • Check sensor is installed correctly on control
84	84 – Outdoor Ambient Temperature Fault The sensor detects an abnormally low or high outdoor ambient temperature	<ul style="list-style-type: none"> • Check unit placement – If the outdoor unit is in a high temperature area, wait until the ambient temperature drops and check sensor reading. • Replace the sensor. • Check sensor is installed correctly on control
93	93 – Internal Control Fault The control is not functioning properly.	<ul style="list-style-type: none"> • Check control for proper system operation. • Replace control
d1	d1 – No Shared Data	<ul style="list-style-type: none"> • Replace memory card with correct system information.

INSTALLATION



Conventional Thermostat Wiring

fault history of the system. This diagnostic information is not available when the unit is using a conventional thermostat. Reference section *EcoNet Communication System™* Control Wiring.

Thermostat control wiring requires a minimum of four (4) wires for proper unit operation:

- R – 24VAC
- C – 24VAC common
- Y1 – First stage operation
- Y2 – Second stage operation

TABLE 4
FIELD WIRE SIZE FOR 24 VOLT THERMOSTAT CIRCUITS

Thermostat Load - Amps	SOLID COPPER WIRE - AWG.					
	3.0	16	14	12	10	10
2.5	16	14	12	12	10	10
2.0	18	16	14	12	12	10
	50	100	150	200	250	300
	Length of Run - Feet (1)					

(1) Wire length equals twice the run distance.
NOTE: Do not use control wiring smaller than No. 18 AWG between thermostat and outdoor unit.

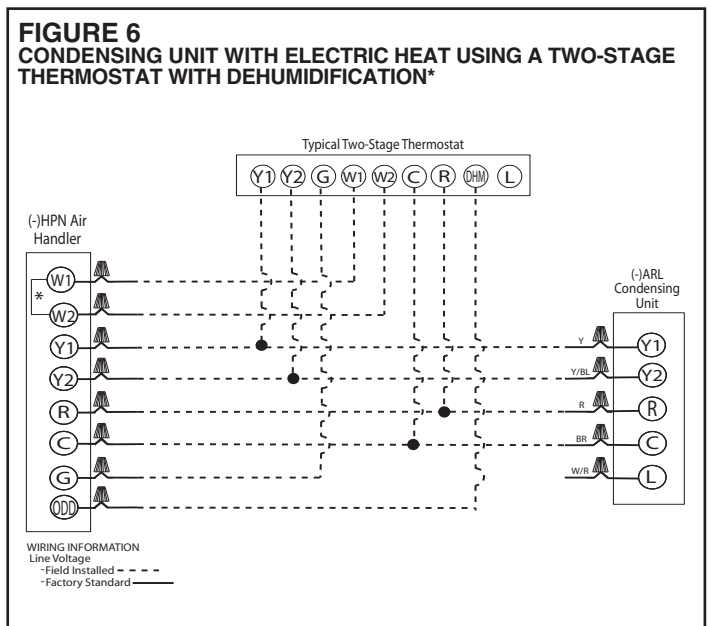
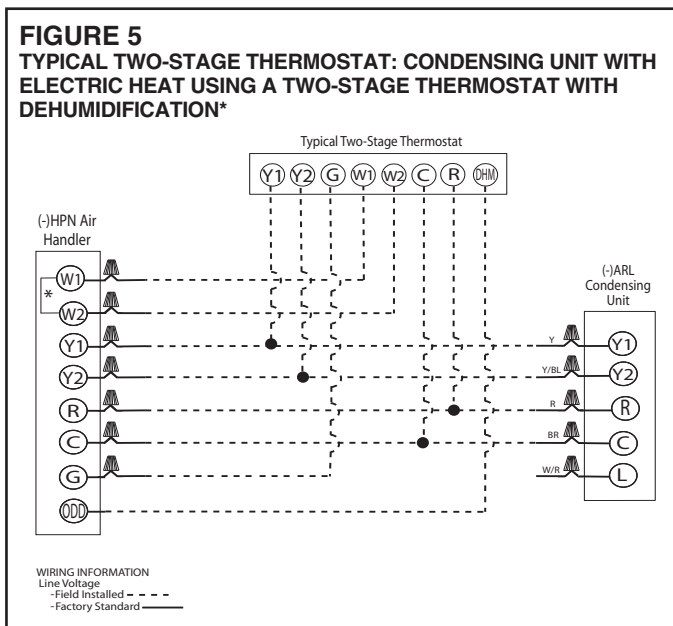
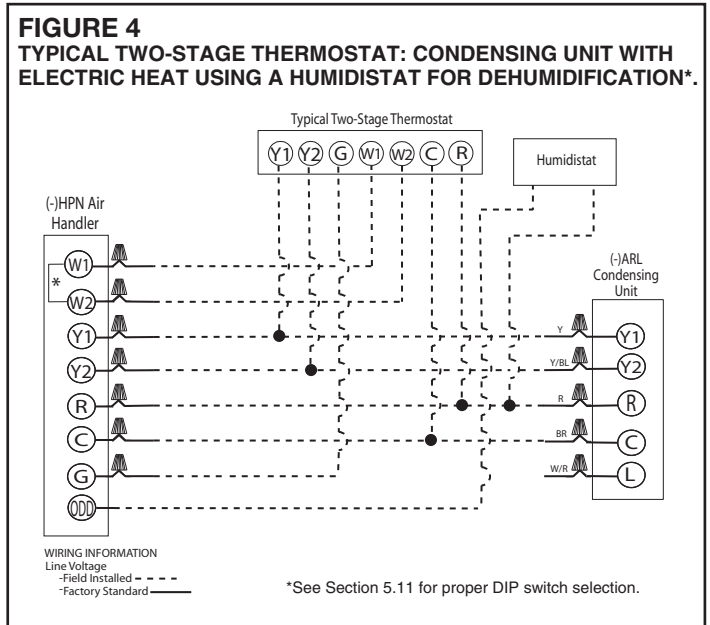
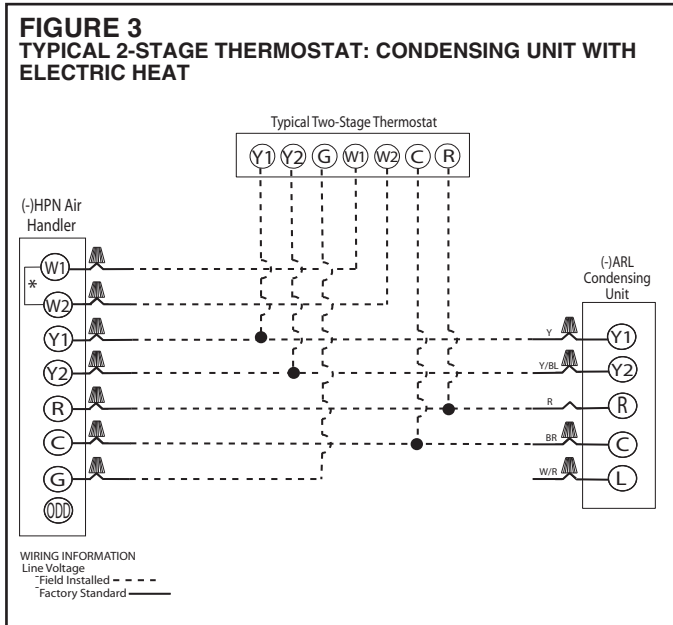
INSTALLATION



Non-communicating Thermostat Wiring Diagrams

The following figures show the typical wiring diagrams with (-)HPN air handler and (-)ARL condensing unit. Cooling and heat pump airflows may need to be adjusted for homeowner comfort once the system is operational.

WIRE COLOR CODE			
BK - BLACK	G - GREEN	PR - PURPLE	Y - YELLOW
BR - BROWN	GY - GRAY	R - RED	
BL - BLUE	O - ORANGE	W - WHITE	



*If maximum outlet temperature rise is desired, it is recommended that W1 and W2 be jumpered together.

INSTALLATION



ICC Control Operation

ICC Control Operation with Conventional Thermostat Wiring

Installation Verification

- 24V AC power on R&C must be present at the ICC for it to operate
- Line voltage must be present at the ICC for the compressor and the outdoor fan to operate
- The ICC displays a “0” for standby mode. Standby mode indicates line voltage and 24VAC are present at the ICC and there is not a call for unit operation from the thermostat.



Zero (0) displayed
The unit is in standby

Call for Compressor Operation

- If a call for compressor operation is received by the ICC (first stage/second stage cooling or first stage/second stage heating).
- The ICC has an on/off fan delay of one (1) second for each stage of heating or cooling.
- The ICC ignores the lower pressure control for the first 90 seconds of compressor operation.
- On heat pumps, the ICC ignores the LPC during the defrost cycle.

- 1) **First Stage Cooling Operation** – When the ICC receives a call for first stage cooling operation, a lower case “c” is displayed on the dual 7-segment LEDs.



Lower case “c” indicates first stage cooling operation

- 2) **Second Stage Cooling Operation** – When the ICC receives a call for second stage cooling operation, an upper case “C” is displayed on the dual 7-segment LEDs.



Upper case “C” indicates second stage cooling operation

3-minute Anti-short Cycle Timer

- The ICC has a built in 3-minute time delay between compressor operations to protect the compressor

against short cycling. The dual 7-segment LEDs will flash “c” or “C” while the short cycle timer is active and a call for unit operation is received.



Flashing lower case c
A call for first stage cooling has been received



Flashing upper case C
A call for second stage cooling has been received

- The 4-minute time delay can be bypassed when a call for compressor operation is present by pressing the TEST button for 1 second and releasing. The compressor will begin operation and the dual 7-segment will stop flashing.

30 Second Minimum Run Timer

- The ICC has a built in 30 second minimum unit run time. If a call for compressor operation is received by the ICC and the call is removed, the compressor will continue to operate for 30 seconds. The dual 7-segment LEDs will flash “c” or “C” while the minimum run timer is active.

1 Second Compressor/Fan Delay

- The ICC starts/stops the outdoor fan one (1) second after the start/stop of the compressor upon a call for compressor operation to minimize current inrush and/or voltage drop.

Active Compressor Protection Mode

- The ICC actively protects the compressor from harmful operation during a fault condition.
- When the ICC detects a condition that could damage the compressor, the ICC will enter active protection mode and lockout compressor operation
- The condition causing active protection must be resolved then the ICC can be reset to restart the system.
- There are five (5) active protection modes:

1) Low Pressure Control Lockout

- The ICC will display a flashing “L” followed by a flashing 21 when a low pressure control lockout occurs.
- The ICC addresses low pressure control faults differently depending on the mode of unit operation (cooling or heating mode).



ICC Control Operation

Active Protection – Code 21L – Open low pressure control

Cooling Mode

- If the LPC opens three (3) times during the same call for cooling operation, the ICC will lockout the compressor to keep it from continuing to operate and flash a “L” on the dual 7-segment LEDs followed by a “21”.

IMPORTANT: This mode of active protection must be manually reset.

2) High Pressure Control Lockout

- If the HPC opens three (3) times during the same call for unit operation, the ICC will lockout the compressor to keep it from continuing to operate and flash a “L” on the dual 7-segment LEDs followed by a “29”.

Active Protection – Code 29L – Open high pressure control

IMPORTANT: This mode of active protection must be manually reset.

3) Locked Rotor

- The ICC will display a flashing “L” followed by a flashing “04” when a locked rotor condition occurs.

IMPORTANT: This mode of active protection must be manually reset.

4) Open Start Circuit Lockout

- The ICC will display a flashing “L” followed by a flashing “06” when an open start circuit condition occurs.

Active Protection – Code 6L – Compressor open start circuit

If the ICC detects current in the run circuit without current present in the start circuit, the ICC will lockout the compressor to keep it from continuing to operate and flash a “L” on the dual 7-segment LEDs followed by a “06”.

IMPORTANT: This mode of active protection must be manually reset.

Exiting Active Compressor Protection Lockout

There are three methods to reset the ICC after an active protection lockout:

- 1) Cycle the line voltage to the unit
- 2) Cycle 24VAC to the ICC (remove the R or C connection to the ICC)
- 3) Push the TEST button down for one (1) second and release

NOTE: The ICC will attempt to start the unit when the TEST button is pressed and released

NOTE: The preferred method of resetting the ICC is to push the recall modes button down for one (1) second.

Test Mode (Test Button on the ICC)

- Enter recall modes by pressing the UP button with an insulated probe for one (1) second and release.

INSTALLATION



Test and Fault Recall Modes

- The UP mode causes the ICC to do the following
 - 1) Resets the ICC from any active protection lockout mode
 - 2) Resets the 4-minute anti-short cycle timer
 - 3) Energizes the unit without a call for unit operation
- If the 3-minute anti-short cycle timer or 30 second minimum run timer is active (a flashing “c” or “C” is displayed on the dual 7-segment LEDs) and a call for unit operation is present, UP mode causes:
 - 1) A “c” to display momentarily on the dual 7-segment display



Lower case “c”

- 2) The compressor will start
- 3) The display will change to a steady “c” or “C” to show the current call for unit operation.

NOTE: If a call for unit operation is present at the end of UP mode will cause the unit to continue to operate.

- If no call for unit operation is present, UP mode causes
 - 1) A steady “c” appears on the dual 7-segment LEDs
 - 2) The compressor will start
 - 3) The compressor will turn off after 5-seconds.

NOTE: Entering UP mode without a call for unit operation will cause the compressor to run 5-seconds.

Fault Recall Mode (UP and Select Buttons)

- Enter **FAULT RECALL** mode by pressing the **UP** and **Select** buttons at the same time with insulated probes for three (3) seconds and release.
- When entering and exiting **FAULT RECALL** mode the FC will be displayed.
- When entering **FAULT RECALL** mode, the ICC will automatically scroll through stored faults on the dual 7-segment LEDs.
- Each fault is displayed one time with the top right-hand segment of the dual 7-segment display activated between faults.
- Each fault is displayed with the most recent fault displayed first.
- A maximum of six individual faults can be stored
- A maximum of three consecutive identical faults are stored.
- A “00” will be displayed with no faults are stored
- The ICC will automatically exit the **FAULT RECALL** mode after 10 seconds. Use UP and SELECT to scan through faults.

IMPORTANT: The ICC stores the previous two weeks of history faults. The complete stored fault history cannot be displayed using a conventional thermostat.

Clear Fault History (UP and Select Buttons)

- Clear **FAULT HISTORY** by pressing both **TEST** and **SELECT** button while fault is displayed for five (5) seconds with insulated probes and release.



Electrical Wiring

Field wiring must comply with the National Electric Code (C.E.C. in Canada) and any applicable local code.

Power Wiring

It is important that proper electrical power from a commercial utility is available at the condensing unit contactor. Voltage ranges for operation.

Install a branch circuit disconnect within sight of the unit and of adequate size to handle the starting current.

Power wiring must be run in a rain-tight conduit. Conduit must be run through the connector panel below the access cover and attached to the bottom of the control box.

Connect power wiring to contactor located in outdoor condensing unit electrical box. (See wiring diagram attached to unit access panel.)

Check all electrical connections, including factory wiring within the unit and make sure all connections are tight.

DO NOT connect aluminum field wire to the contactor terminals.

Grounding

A grounding lug is provided near the contactor for a ground wire.

WARNING: The unit must be permanently grounded. Failure to do so can cause electrical shock resulting in severe personal injury or death.

Control Wiring

If the low voltage control wiring is run in conduit with the power supply, Class I insulation is required. Class II insulation is required if run separate. Low voltage wiring may be run through the insulated bushing provided in the 7/8 hole in the base panel, up to and attached to the pigtailed from the bottom of the control box. Conduit can be run to the base panel if desired by removing the insulated bushing.

A thermostat and a 24 volt, 40 VA minimum transformer are required for the control circuit of the condensing unit. The furnace or the air handler transformer may be used if sufficient. See the wiring diagram for reference. Use Table 5 to size the 24 volt control wiring.

TABLE 5
VOLTAGE RANGES (60 HZ)

Nameplate Voltage	Operating Voltage Range at Copeland Maximum Load Design Conditions for Compressors
208/230 (1 Phase)	197 - 253

WIRING



Control Wiring

⚠ WARNING: Turn off electric power at the fuse box or service panel before making any electrical connections. Also, the ground connection must be completed before making line voltage connections. Failure to do so can result in electrical shock, severe personal injury, or death.

Control Wiring

Running low-voltage wires in conduit with line voltage power wires is not recommended. Low-voltage wiring may be run through the plastic bushing provided in the 7/8" [19 mm] hole in the base panel, up to and attached to the pigtailed from the bottom of the control box. Conduit can be run to the base panel if desired by removing the insulated bushing.

A thermostat and a 24-volt, 40 VA minimum transformer are required for the control circuit of the system. The furnace or the air handler transformer may be used if sufficient. See the wiring diagram for reference. Use "Wire Size" table to size the 24-volt control wiring.

Do not use phone cord to connect indoor and outdoor units and thermostat. This could damage the controls and may not be adequately sized for the controls electrical load.

FIELD WIRE SIZE FOR 24-VOLT THERMOSTAT CIRCUITS

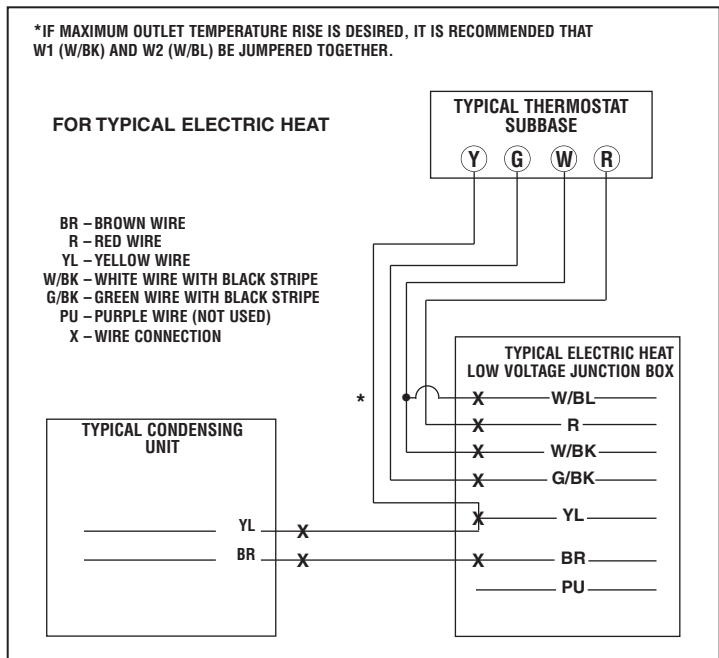
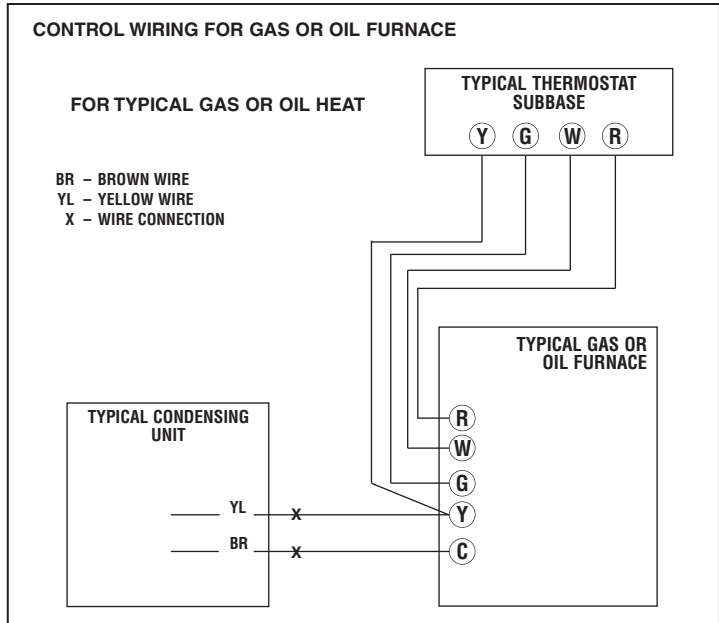
Thermostat Load (amps)	SOLID COPPER WIRE – AWG.						
3.0	18	16	14	12	10	10	10
2.5	18	16	14	12	10	10	10
2.0	18	16	14	12	10	10	10
	20	50	100	150	200	250	300
	[6]	[15]	[30]	[46]	[51]	[76]	[91]
	Length of Run – Feet [m] (1)						

(1) Wire length equals twice the run distance.

NOTICE: Do not use control wiring smaller than No. 18 AWG between thermostat and outdoor unit.

Typical Noncommunicating Thermostat Wiring Diagrams

The following figures show the typical wiring diagrams. Cooling airflows may need to be adjusted for homeowner comfort once the system is operational.



WIRE COLOR CODE		
BK – BLACK	GY – GRAY	W – WHITE
BR – BROWN	O – ORANGE	Y – YELLOW
BL – BLUE	PR – PURPLE	
G – GREEN	R – RED	



Control Wiring (cont.)

Field wiring must comply with the National Electric Code (C.E.C. in Canada) and any applicable local code.

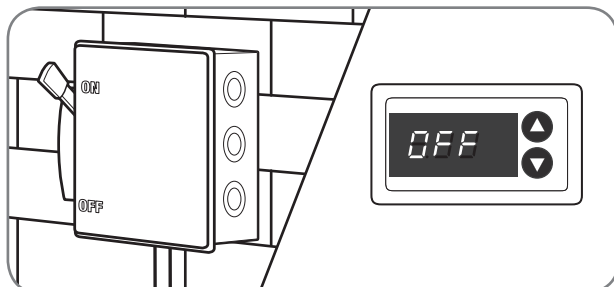
Power Wiring

It is important that proper electrical power from a commercial utility is available at the compressor contactor. Voltage ranges for operation are shown below.

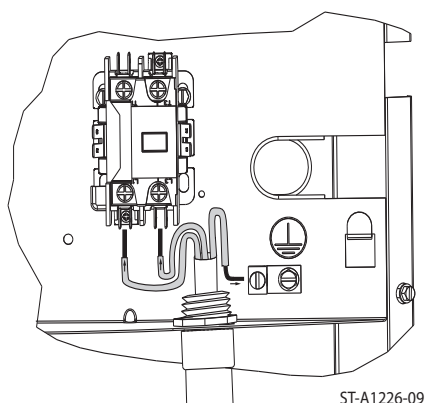
VOLTAGE RANGES (60 HZ)

Nameplate Voltage	Operating Voltage Range at Copeland Maximum Load Design Conditions for Compressors
208/230 (1 Phase)	187 - 253
208/230 (3 Phase)	187 - 253
460	414 - 506
575	517 - 633

Install a branch circuit disconnect within sight of the unit and of adequate size to handle the starting current (see “Electrical Data” on page 5.)



Power wiring must be run in a rain-tight conduit. Conduit must be run through the connector panel below the access cover (see page 6) and attached to the bottom of the control box.



ST-A1226-09

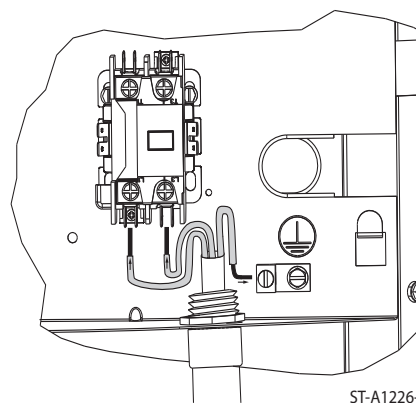
Connect power wiring to line-voltage lugs located in the outdoor unit electrical box. (See wiring diagram attached to unit access panel.)

Check all electrical connections, including factory wiring within the unit and make sure all connections are tight.

DO NOT connect aluminum field wire to the contactor terminals.

Grounding

⚠WARNING: The unit must be permanently grounded. Failure to do so can cause electrical shock resulting in severe personal injury or death.

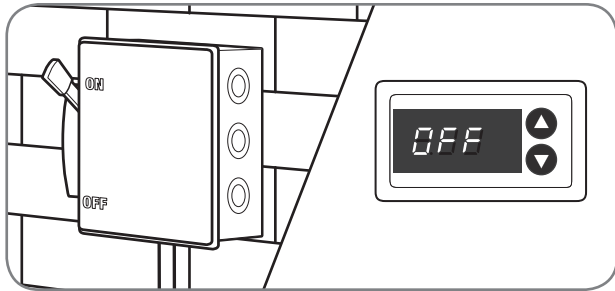


ST-A1226-09

A grounding lug is provided near the line-voltage power entrance for a ground wire.

START-UP

Start-Up



At initial start-up or after extended shutdown periods, make sure the crankcase heater is energized for at least 12 hours before the compressor is started. (Disconnect switch is on and wall thermostat is off.)

Even though the unit is factory-charged with Refrigerant-410A, the charge must be checked to the charge table attached to the service panel and adjusted, if required. Allow a minimum of 15 minutes of run time before analyzing charge.

CAUTION: Single-pole contactors are used on all standard single-phase units through 5 tons. Caution must be exercised when servicing as only one leg of the power supply is broken by the contactor.

Checking Airflow

The air distribution system has the greatest effect on airflow. The duct system is totally controlled by the contractor. For this reason, the contractor should use only industry-recognized procedures.

The correct air quantity is critical to air conditioning systems. Proper operation, efficiency, compressor life, and humidity control depend on the correct balance between indoor load and outdoor unit capacity. Excessive indoor airflow increases the possibility of high humidity problems. Low indoor airflow reduces total capacity can cause coil icing. Serious harm can be done to the compressor by low airflow, such as that caused by refrigerant flooding.

Air conditioning systems require a specified airflow. Each ton of cooling requires between 320 and 450 cubic feet of air per minute (CFM). See the manufacturer's spec sheet for rated airflow for the system being installed.

Duct design and construction should be carefully done. System performance can be lowered dramatically through bad planning or workmanship.

Air supply diffusers must be selected and located carefully. They must be sized and positioned to deliver treated air along the perimeter of the space. If they are too small for their intended airflow, they become noisy. If they are not located properly, they cause drafts. Return air grilles must be properly sized to carry air back to the blower. If they are too small, they also cause noise.

The installers should balance the air distribution system to ensure proper quiet airflow to all rooms in the home. This ensures a comfortable living space.

These simple mathematical formulas can be used to determine the CFM in a residential or light commercial system.

Electric resistance heaters can use:

$$\text{CFM} = \frac{\text{volts} \times \text{amps} \times 3.413}{\text{SHC} \times \text{temp rise}}$$

Gas furnaces can use:

$$\text{CFM} = \frac{\text{Output Capacity in BTUH}^*}{\text{SHC} \times \text{temp rise}}$$

*Refer to furnace data plate for furnace output capacity. SHC = Sensible Heat Constant (see table below)

An air velocity meter or airflow hood can give a more accurate reading of the system CFM.

The measurement for temperature rise should be performed at the indoor coil inlet and near the outlet, but out of direct line of sight of the heater element or heat exchanger. For best results, measure air temperature at multiple points and average the measurements to obtain coil inlet and outlet temperatures.

ALTITUDE (FEET)	SENSIBLE HEAT CONSTANT (SHC)	ALTITUDE (FEET)	SENSIBLE HEAT CONSTANT (SHC)
Sea Level	1.08	6000	0.87
500	1.07	7000	0.84
1000	1.05	8000	0.81
2000	1.01	9000	0.78
3000	0.97	10000	0.75
4000	0.94	15000	0.61
5000	0.90	20000	0.50



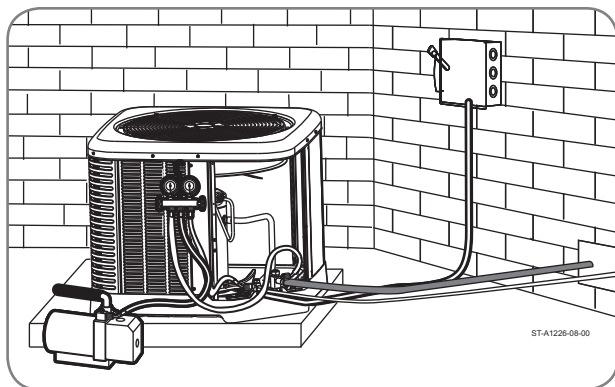
Evacuation and Leak Testing

Evacuation Procedure

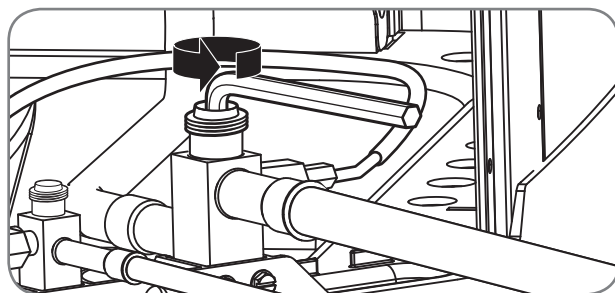
Evacuation is the most important part of the entire service procedure. The life and efficiency of the equipment is dependent upon the thoroughness exercised by the serviceman when evacuating air and moisture from the system.

Air or nitrogen in the system causes high condensing temperatures and pressure, resulting in increased power input and nonverifiable performance.

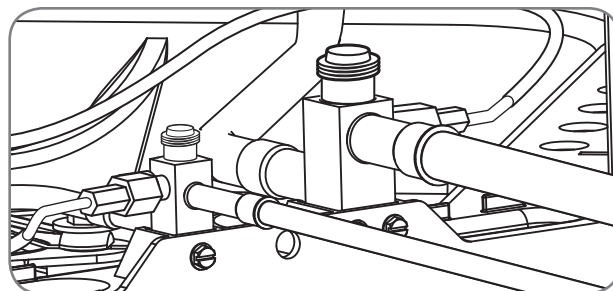
Moisture chemically reacts with the refrigerant and oil to form corrosive hydrofluoric acid. This attacks motor windings and parts, causing breakdown.



- After the system has been leak-checked and proven sealed, connect the vacuum pump and evacuate system to 500 microns and hold 500 microns or less for at least 15 minutes. The vacuum pump must be connected to both the high and low sides of the system by connecting to the two pressure ports. Use the largest size connections available since restrictive service connections may lead to false readings because of pressure drop through the fittings.



- After adequate evacuation, open both service valves by removing both brass service valve caps with an adjustable wrench. Insert a 3/16" [5 mm] or 5/16" [8 mm] hex wrench into the stem and turn counterclockwise until the wrench stops.



- Gauges must be connected at this point to check and adjust charge. Do not replace caps yet.

IMPORTANT: Compressors (especially scroll type) should never be used to evacuate the air conditioning system because internal electrical arcing may result in a damaged or failed compressor. Never run a scroll compressor while the system is in a vacuum or compressor failure will occur.

Final Leak Testing

After the unit has been properly evacuated and service valves opened, a halogen leak detector should be used to detect leaks in the system. All piping within the condenser, evaporator, and interconnecting tubing should be checked for leaks. If a leak is detected, the refrigerant should be recovered before repairing the leak. The Clean Air Act prohibits releasing refrigerant into the atmosphere.

START-UP



Checking Refrigerant Charge

Charge for all systems should be checked against the Charging Chart inside the access panel cover.

⚠WARNING: The top of the scroll compressor shell is hot. Touching the compressor top may result in serious personal injury.

IMPORTANT: Use factory-approved charging method as outlined on the next page to ensure proper system charge.

NOTICE: The optimum refrigerant charge for any outdoor unit matched with an indoor coil/air handler is affected by the application. Therefore, charging data has been developed to assist the field technician in optimizing the charge for all mounting configurations (UF – Upflow, DF – Downflow, LH – Left-Hand Discharge, and RH – Right-Hand Discharge). Refer to the charging chart inside the access panel cover on the unit and choose the appropriate column for the specific application being installed or serviced.

Charging Units With R-410A Refrigerant

⚠CAUTION: R-410A pressures are approximately 60% higher (1.6 times) than R-22 pressures. Use appropriate care when using this refrigerant. Failure to exercise care may result in equipment damage or personal injury.

Charge for all systems should be checked against the Charging Chart inside the access panel cover.

IMPORTANT: Do not operate the compressor without charge in the system.

Addition of R-410A will raise high-side pressures (liquid and discharge).

NOTICE: System maintenance is to be performed by a qualified and certified technician.

The following method is used for charging systems in the cooling mode. All steps listed should be performed to ensure proper charge has been set. For measuring pressures, the service valve port on the liquid valve (small valve) and suction valve (large valve) are to be used

Confirm ID Airflow and Coils Are Clean

Confirm adequate indoor supply airflow prior to starting the system. See the Technical Specification Sheet for rated airflow for each ID/OD unit match. Air filter(s) and coils (indoor and outdoor) are to be clean and free of frost prior to starting the system.

Supply airflow must be between 320 and 450 cfm per rated cooling ton prior to adjusting system charge. If a humidification system is installed, disengage it from operation prior to charge adjustment. Refer to the “Checking Airflow” section of this manual for further instruction.

NOTICE: Verify system components are matched according to the outdoor unit Specification Sheet.

Measurement Device Setup

1. With an R-410A gauge set, attach the high-pressure hose to the access fitting on the liquid (small) service valve at the OD unit.
2. Attach the low-pressure hose to the access fitting on the suction (large) service valve.
3. Attach a temperature probe within 6" [15.2 cm] outside of the unit on the copper liquid line (small line). For more accurate measurements, clean the copper line prior to measurement and use a calibrated clamp-on temperature probe or an insulated surface thermocouple.

Charging by Weight

NOTICE: Adjust the system charge by weight for the straight length of the refrigerant line set.

For a new installation, evacuation of interconnecting tubing and indoor coil is adequate; otherwise, evacuate the entire system. Use the factory charge shown in “Electrical and Physical Data” on page 5 of these instructions or on the unit data plate. Note that the charge value includes charge required for 15 ft. [4.6 m] of standard-size interconnecting liquid line without a filter drier.

Calculate actual charge required with installed liquid line size and length using:

- 1/4" [6.4 mm] O.D. = .3 oz./ft. [8.5 g/.30 m]
- 5/16" [7.9 mm] O.D. = .4 oz./ft. [11.3 g/.30 m]
- 3/8" [9.5 mm] O.D. = .6 oz./ft. [17.0 g/.30 m]
- 1/2" [12.7 mm] O.D. = 1.2 oz./ft. [34.0 g/.30 m]

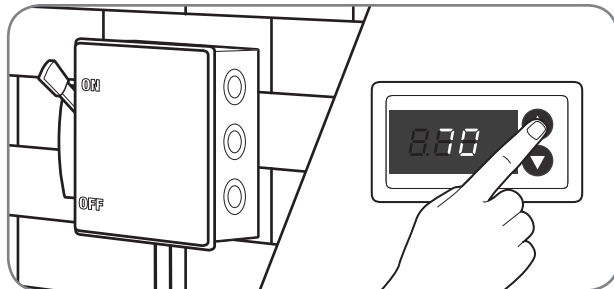
Add 6 oz. for field-installed filter drier.



Checking Refrigerant Charge (cont.)

With an accurate scale (+/- 1 oz. [28.3 g]) or volumetric charging device, adjust charge difference between that shown on the unit data plate and that calculated for the new system installation. If the entire system has been evacuated, add the total calculated charge.

IMPORTANT: Charging by weight is not always accurate since the application can affect the optimum refrigerant charge. Charging by weight is considered a starting point ONLY. Always check the charge by using the Charging Chart and adjust as necessary. CHARGING BY LIQUID SUBCOOLING MUST BE USED FOR FINAL CHARGE ADJUSTMENT.



With thermostat in the “Off” position, turn on the power to the furnace or air handler and the condensing unit. Start the condensing unit and the furnace or air handler with the thermostat. Verify that the outdoor unit is operating and the indoor air mover is delivering the correct airflow for the system size.

Gross Charging by Pressures

1. Following airflow verification and charge weigh-in, run the unit for a minimum of 15 minutes prior to noting pressures and temperature.

IMPORTANT: Indoor conditions as measured at the indoor coil must be within 2°F [1.1°C] of the following during gross charge (pressure) evaluation:

Cooling Mode: 80°F [26.7°C] Dry Bulb

Heating Mode: 70°F [21.1°C] Dry Bulb

NOTICE: If the Indoor temperature is above or below this range, run the system to bring the temperature down or run the electric heat/furnace to bring the temperature within this range. System pressure values provided in the Charging Chart for outdoor dry bulbs corresponding to conditions outside of these ranges are provided as reference ONLY.

2. Note the Outdoor Dry Bulb Temperature, ODDB° = ____°F [____°C]. Unit charging is recommended under the following outdoor conditions ONLY:

Cooling Mode ONLY: 55°F [12.8°C] outdoor dry bulb and above

3. Locate and note the design pressures. The correct liquid and vapor pressures are found at the intersection of the installed system and the outdoor ambient temperature on the Charging Chart located inside the access panel cover.

Liquid Pressure: = ____psig; Vapor Pressure = ____psig

NOTICE: The refrigerant pressures provided are for gross charge check ONLY. These pressure values are typical, but may vary due to application. Evaporator load (indoor coil in cooling mode/outdoor coil in heating mode) will cause pressures to deviate. Note that all systems have unique pressure curves. The variation in the slope and value is determined by the component selection for that indoor/outdoor matched system. The variation from system to system seen in the table is normal. The values listed are for the applicable indoor coil match ONLY!

4. If the measured liquid pressure is below the listed requirement for the given outdoor and indoor conditions, add charge. If the measured liquid pressure is above the listed requirement for the given outdoor and indoor conditions, remove charge.

Final Charge by Subcooling

1. After gross charging, note the designed subcooling value. The correct subcooling value is found at the intersection of the installed system and the outdoor ambient temperature on the Charging Chart located inside the access panel cover.

SC° from Charging Chart = ____°F [____°C].

IMPORTANT: Indoor conditions as measured at the indoor coil are required to be between 70°F [21.1°C] and 80°F [26.7°C] dry bulb for fine-tuned unit charge adjustment. Unit charging is recommended under the following outdoor conditions ONLY:

Cooling Mode ONLY: 55°F [12.8°C] outdoor dry bulb and above

START-UP



Checking Refrigerant Charge (cont.)

NOTICE: If the indoor temperature is above or below the recommended range, run the system to bring the temperature down or run the electric heat/furnace to bring the temperature up. System subcooling values provided in the Charging Chart for outdoor dry bulbs corresponding to conditions outside of the above range are provided as reference ONLY.

2. Note the measured Liquid Pressure, $P_{liq} =$ _____ psig, as measured from the liquid (small) service valve. Use the Temperature Pressure Chart below to note the corresponding saturation temperature for R-410A at the measured liquid pressure.

Liquid Saturation Temperature, $SAT^{\circ} =$ _____ $^{\circ}F$ [_____ $^{\circ}C$].

3. Note the liquid line temperature, $Liq^{\circ} =$ _____ $^{\circ}F$ [_____ $^{\circ}C$], as measured from a temperature probe located within 6" [15.2 cm] outside of the unit on the copper liquid line (small line). It is recommended to use a calibrated clamp-on temperature probe or an insulated surface thermocouple.

4. Subtract the liquid line temperature from the saturation temperature to calculate subcooling. SAT° _____ $^{\circ}F$ [_____ $^{\circ}C$] - Liq° _____ $^{\circ}F$ [_____ $^{\circ}C$] = SC° _____ $^{\circ}F$ [_____ $^{\circ}C$]

5. Adjust charge to obtain the specified subcooling value. If the measured subcool is below the listed requirement for the given outdoor and indoor

conditions, add charge. If the measured subcool is above the listed requirement for the given outdoor and indoor conditions, remove charge.

Finishing Up Installation

- Disconnect pressure gauges from pressure ports; then replace the pressure port caps and tighten adequately to seal caps. **Do not overtighten.**
- Replace the service valve caps finger-tight and then tighten with an open-end wrench adequately to seal caps. **Do not overtighten.**
- Replace control box cover and service panel and install screws to secure service panel.
- Restore power to unit at disconnect if required.
- Configure indoor thermostat per the thermostat installation instructions and set thermostat to desired mode and temperature.

NOTICE: Systems should not be fine-tune charged below 40°F [4.4°C] outdoor dry bulb.

IMPORTANT: Excessive use of elbows in the refrigerant line set can produce excessive pressure drop. Follow industry best practices for installation. Installation and commissioning of this equipment is to be performed by trained and qualified HVAC professionals. For technical assistance, contact your Distributor Service Coordinator.

TEMPERATURE PRESSURE CHART

SATURATION TEMP (Deg. F) [Deg. C]	R-410A PSIG	SATURATION TEMP (Deg. F) [Deg. C]	R-410A PSIG	SATURATION TEMP (Deg. F) [Deg. C]	R-410A PSIG	SATURATION TEMP (Deg. F) [Deg. C]	R-410A PSIG
-150 [-101]	-	-30 [-34]	17.9	35 [2]	107.5	100 [38]	317.4
-140 [-96]	-	-25 [-32]	22.0	40 [4]	118.5	105 [41]	340.6
-130 [-90]	-	-20 [-29]	26.4	45 [7]	130.2	110 [43]	365.1
-120 [-84]	-	-15 [-26]	31.3	50 [10]	142.7	115 [46]	390.9
-110 [-79]	-	-10 [-23]	36.5	55 [13]	156.0	120 [49]	418.0
-100 [-73]	-	-5 [-21]	42.2	60 [16]	170.1	125 [52]	446.5
-90 [-68]	-	0 [-18]	48.4	65 [18]	185.1	130 [54]	476.5
-80 [-62]	-	5 [-15]	55.1	70 [21]	201.0	135 [57]	508.0
-70 [-57]	-	10 [-12]	62.4	75 [24]	217.8	140 [60]	541.2
-60 [-51]	0.4	15 [-9]	70.2	80 [27]	235.6	145 [63]	576.0
-50 [-46]	5.1	20 [-7]	78.5	85 [29]	254.5	150 [66]	612.8
-40 [-40]	10.9	25 [-4]	87.5	90 [32]	274.3		
-35 [-37]	14.2	30 [-1]	97.2	95 [35]	295.3		

Refrigerant

COMPONENTS AND CONTROLS

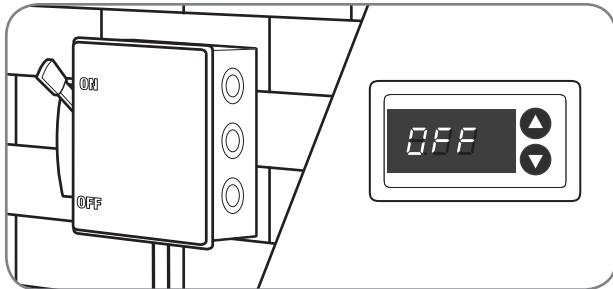


Compressor Crankcase Heat (CCH)

While scroll compressors usually do not require crankcase heaters, there are instances when a heater should be added. Refrigerant migration during the off cycle can result in a noisy start up. Add a crankcase heater to minimize refrigerant migration and to help eliminate any start up noise or bearing “wash out.”

NOTE: A crankcase heater should be installed if:

- The system charge exceeds the values listed in the adjacent tables,
- The system is subject to low voltage variations, or



- When a low ambient control is used for system operation below 55°F.

All heaters are located on the lower half of the compressor shell. Its purpose is to drive refrigerant from the compressor shell during long off cycles, thus preventing damage to the compressor during start-up.

At initial start-up or after extended shutdown periods, make sure the heater is energized for at least 12 hours before the compressor is started. (Disconnect switch is on and wall thermostat is off.)

MAXIMUM SYSTEM CHARGE VALUES

RA17 Model Size	Compressor Model Number	Charge Limit Without Crankcase Heat (1 Phase)
24AJ	ZPS20K5E-PFV-130	9.6 lbs.
36AJ	ZPS30K5E-PFV-130	9.6 lbs.
48AJ	ZPS40K5E-PFV-130	12 lbs.
60AJ	ZPS49K5E-PFV-130	12 lbs.



High- and Low-Pressure Controls (HPC and LPC)

HPC and LPC are factory installed on RA17**AJ2CB. These controls keep the compressor from operating in pressure ranges which can cause damage to the compressor. Both controls are in the low-voltage control circuit.

The high-pressure control (HPC) is an automatic-reset which opens near 610 PSIG and closes near 420 PSIG.

The low-pressure control (LPC) is an automatic-reset which opens near 15 PSIG and closes near 40 PSIG.

CAUTION: The compressor has an internal overload protector. Under some conditions, it can take up to 2 hours for this overload to reset. Make sure overload has had time to reset before condemning the compressor.

ACCESSORIES

⚠ WARNING: Turn off electric power at the fuse box or service panel before making any electrical connections. Also, the ground connection must be completed before making line voltage connections. Failure to do so can result in electrical shock, severe personal injury, or death.

⚠ CAUTION:
SINGLE POLE COMPRESSOR CONTACTOR (CC):

Single pole contactors are used on all single-phase units up through 5 tons. Caution must be exercised when servicing as only one leg of the power supply is broken with the contactor.

**Low Ambient Control (LAC)
(Part No. RXAD-A08)**

This component senses compressor head pressure and shuts the heat pump fan off when the head pressure drops to approximately 250 PSIG. This allows the unit to build a sufficient head pressure at lower outdoor ambient (down to 0°F [-18°C]) in order to maintain system balance and obtain improved capacity. Low ambient control should be used on all equipment operated below 70°F [21°C] ambient.

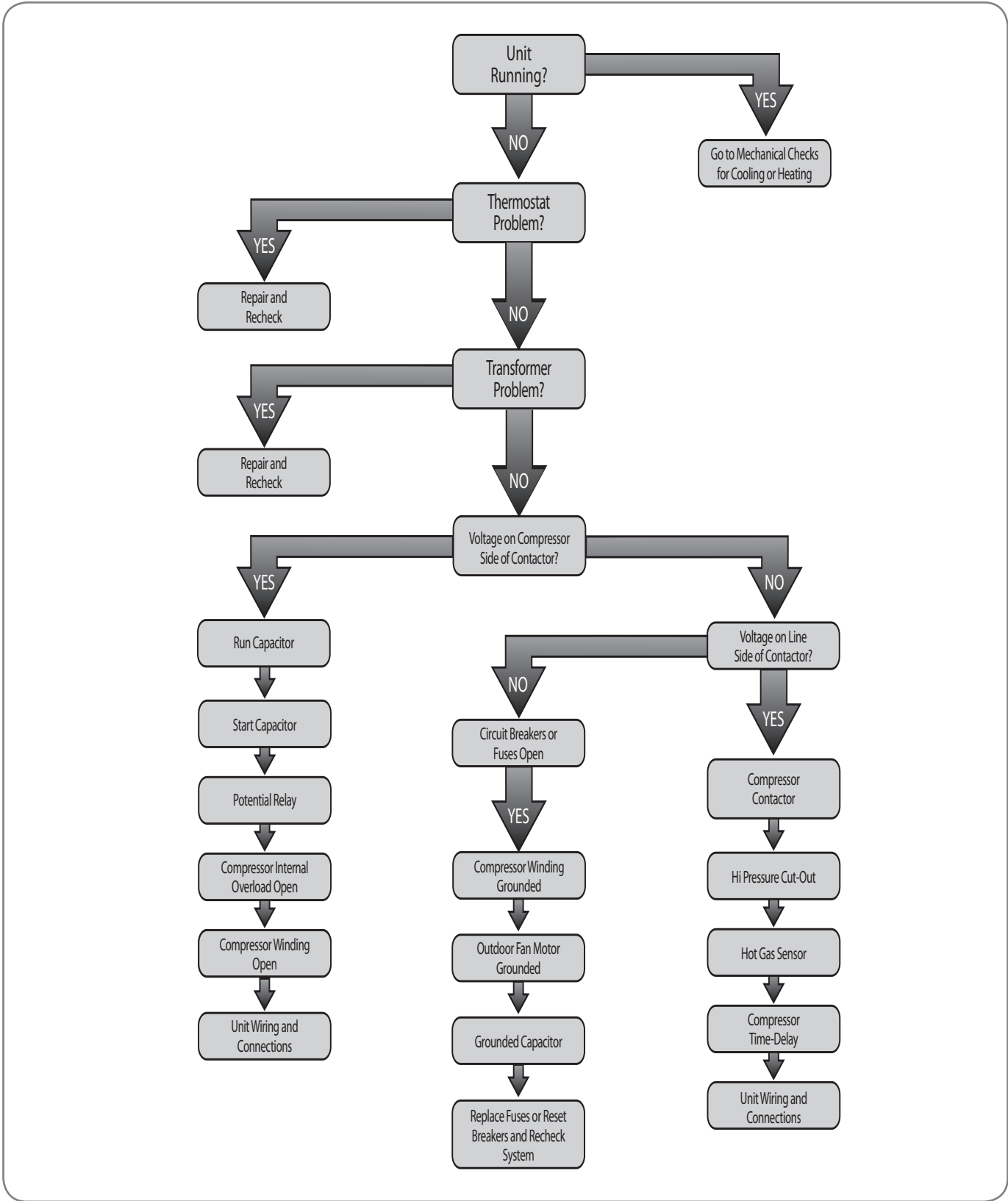


Hard Start Components

Start components are not usually required with the scroll compressors used in RA17 condensing units, but are available for special cases and where start components are desirable to reduce light dimming. Also, see the interconnecting tubing section of this manual to see if the application requires start components.

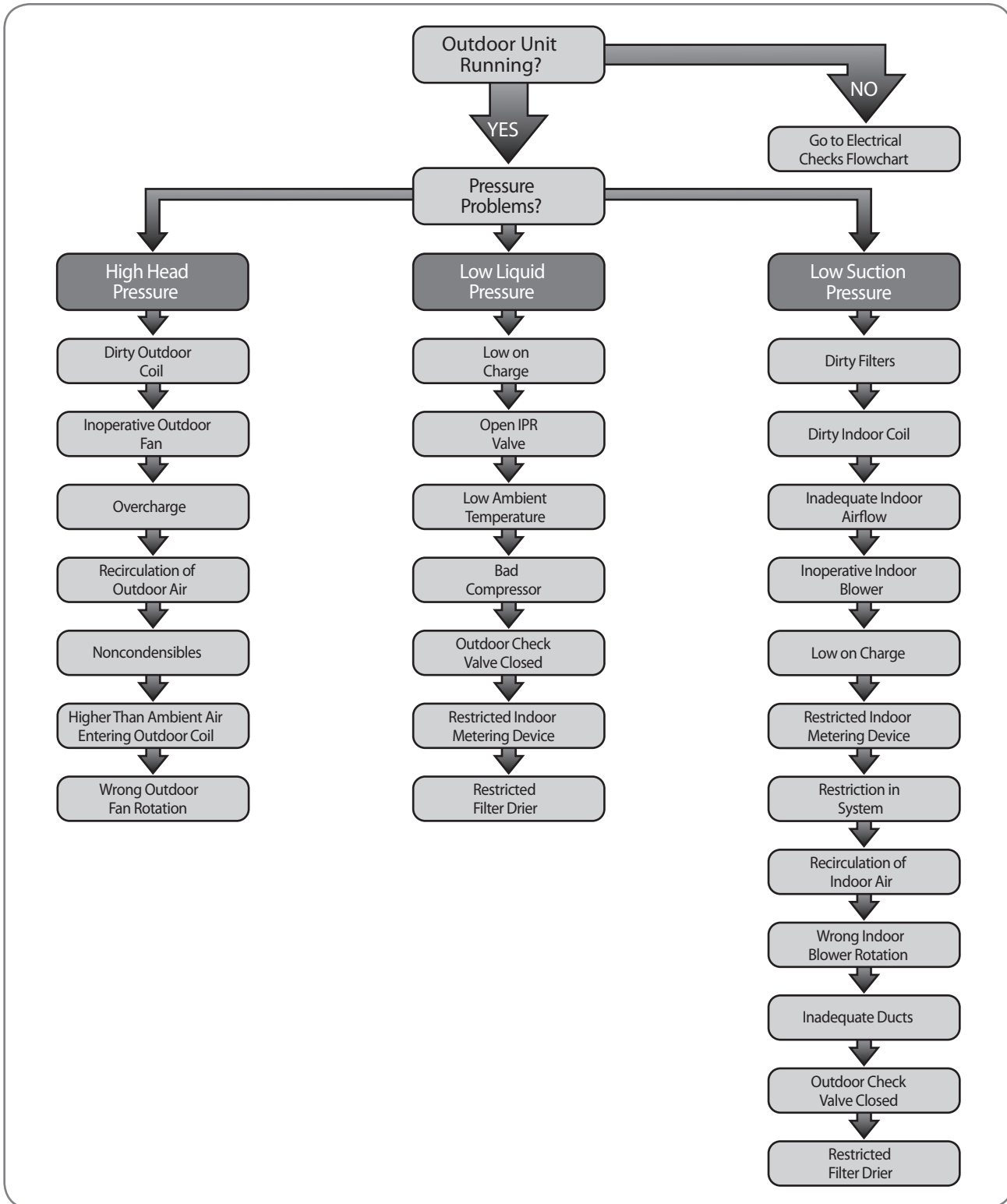
DIAGNOSTICS

Electrical Checks Flowchart



DIAGNOSTICS

Cooling Mechanical Checks Flowchart



DIAGNOSTICS

General Troubleshooting Chart

⚠️ WARNING: Disconnect all power to unit before servicing. Contactor may break only one side. Failure to shut off power can cause electrical shock resulting in personal injury or death.

SYMPTOM	POSSIBLE CAUSE	REMEDY
Unit will not run	<ul style="list-style-type: none"> • Power off or loose electrical connection • Thermostat out of calibration – set too high • Defective control board • Blown fuses/tripped breaker • Transformer defective • High-pressure control open • Low-pressure control open • Miswiring of communications (communication light on continuously) 	<ul style="list-style-type: none"> • Check for correct voltage at line voltage connections in condensing unit. • Reset. • Check control board diagnostic codes. • Replace fuses/reset breaker. • Check wiring. Replace transformer. • Reset. Also see high head pressure remedy. The high-pressure control opens at 610 PSIG. • Check communication wiring.
Outdoor fan runs, compressor doesn't	<ul style="list-style-type: none"> • Run or start capacitor defective • Contactor defective • Loose connection • Compressor stuck, grounded or open motor winding, open internal overload. • Low-voltage condition 	<ul style="list-style-type: none"> • Replace. • Replace. • Check for correct voltage at compressor. Check and tighten all connections. • Wait at least 3 hours for overload to reset. If still open, replace the compressor. • Add start kit components.
Insufficient cooling	<ul style="list-style-type: none"> • Improperly sized unit • Improper indoor airflow • Incorrect refrigerant charge • Air, noncondensibles, or moisture in system • Bad ID EEV 	<ul style="list-style-type: none"> • Recalculate load. • Check. Should be approximately 400 CFM per ton. • Charge per procedure attached to unit service panel. • Recover refrigerant. Evacuate and recharge. Add filter drier. • Replace EEV
Compressor short cycles	<ul style="list-style-type: none"> • Incorrect voltage • Defective overload protector • Refrigerant undercharge 	<ul style="list-style-type: none"> • At compressor terminals, voltage must be $\pm 10\%$ of nameplate marking when unit is operating. • Replace. Check for correct voltage. • Add refrigerant.
Registers sweat	<ul style="list-style-type: none"> • Low indoor airflow 	<ul style="list-style-type: none"> • Increase speed of blower or reduce restriction. Replace air filter.
High head, low vapor pressures	<ul style="list-style-type: none"> • Restriction in liquid line, expansion device, or filter drier • Bad EEV 	<ul style="list-style-type: none"> • Remove or replace defective component. • Verify thermistor and pressure transducer connection and operation.
High head, high or normal vapor pressure – Cooling mode	<ul style="list-style-type: none"> • Dirty outdoor coil • Refrigerant overcharge • Outdoor fan not running • Air or noncondensibles in system 	<ul style="list-style-type: none"> • Clean coil. • Correct system charge. • Repair or replace. • Recover refrigerant. Evacuate and recharge.
Low head, high vapor pressures	<ul style="list-style-type: none"> • EEV in bypass mode • Bad compressor 	<ul style="list-style-type: none"> • Verify thermistor and pressure transducer connection and operation. • Replace compressor.
Low vapor, cool compressor, iced indoor coil	<ul style="list-style-type: none"> • Low indoor airflow • Operating below 65°F outdoors • Moisture in system • Closed ID circuit 	<ul style="list-style-type: none"> • Increase speed of blower or reduce restriction. Replace air filter. • Add Low Ambient Kit. • Recover refrigerant. Evacuate and recharge. Add filter drier. • Repair or replace ID coil
High vapor pressure	<ul style="list-style-type: none"> • Excessive load • Defective compressor 	<ul style="list-style-type: none"> • Recheck load calculation. • Replace.
Fluctuating head and vapor pressures	<ul style="list-style-type: none"> • EEV hunting • Air or noncondensibles in system 	<ul style="list-style-type: none"> • Check thermistor to vapor line connection. • Check air distribution on coil. • Check suction thermistor and pressure transducer and operation. • Recover refrigerant. Evacuate and recharge. • Remove and confirm EEV movement. Clean EEV inside with nitrogen to remove any debris then reinstall.
Gurgle or pulsing noise at expansion device or liquid line	<ul style="list-style-type: none"> • Air or noncondensibles in system 	<ul style="list-style-type: none"> • Recover refrigerant. Evacuate and recharge.

DIAGNOSTICS

Service Analyzer Charts

COMPRESSOR OVERHEATING			
SYMPTOM	POSSIBLE CAUSE	CHECK/REMEDY	
High superheat (greater than 15°F [-9°C] at coil)	Low charge	Check system charge.	
	Verify suction thermister operation	Replace thermistor	
	Verify pressure transducer operation input and output voltage	Replace transducer and/or harness and/or control board	
	Faulty metering device (EEV)	Foreign matter stopping flow. Clean EEV inside with nitrogen.	
	High internal load	Hot air (attic) entering return	
		Heat source on; miswired or faulty control	
	Restriction in liquid line	Drier plugged.	
		Line kinked.	
	Low head pressure	Low charge	
Operating in low ambient temperatures			
Suction or liquid line subjected to high heat source	Hot attic / insulate liquid line		
	Hot water line		
Low line voltage	Loose wire connections	Check wiring.	
	Power company problem, transformer	Have problem corrected before diagnosis continues.	
	Undersized wire feeding unit	Correct and complete diagnosis.	
High line voltage	Power company problem	Have problem corrected.	
High head pressure	Overcharge	Check system charge.	
	Dirty outdoor coil	Clean coil.	
	Faulty or wrong size outdoor fan motor	Replace fan motor.	
	Faulty fan blade or wrong rotation	Replace fan blade.	
		Replace with correct rotation motor.	
	Recirculation of air	Correct installation.	
	Additional heat source	Check for dryer vent near unit.	
		Check for recirculation from other equipment.	
	Noncondensibles	Recover refrigerant. Evacuate and recharge system.	
Equipment not matched	Correct mismatch.		
Short cycling of compressor	Faulty pressure control	Replace pressure control.	
	Loose wiring	Check unit wiring.	
	Thermostat	Located in supply air stream	
		Differential setting too close	
		Customer misuse	
	EEV	Internal foreign matter. Clean with nitrogen	
		Pressure transducer failure	
		Suction thermistor failure	
		EEV control failure	
		EEV coil failure	
Distributor tube/tubes restricted			

Service Analyzer Charts

COMPRESSOR OVERHEATING (cont.)		
SYMPTOM	POSSIBLE CAUSE	CHECK OR REMEDIES
Short cycling of compressor (cont.)	Distributor tube	Restricted with foreign matter
		Kinked
		I.D. reduced from previous compressor failure
	Low charge	Check system charge.
	Low evaporator airflow	Dirty coil
		Dirty filter
		Duct too small or restricted
Faulty run capacitor	Replace.	
Faulty internal overload	Replace compressor.	
Faulty Compressor Valves	Fast equalization/Low pressure difference	Replace compressor and examine system to locate reason.
ELECTRICAL		
SYMPTOM	POSSIBLE CAUSE	CHECK OR REMEDIES
Voltage present on load side of compressor contactor and compressor won't run	Compressor start components	Check start capacitor. Check potential relay.
	Run capacitor	Check with ohmmeter
	Internal overload	Allow time to reset.
	Compressor windings	Check for correct ohms.
Voltage present on line side of compressor contactor only	Thermostat	Check for control voltage to contactor coil.
	Compressor control circuit	High-pressure switch
		Low-pressure switch
		Ambient thermostat
		Solid-state protection control or internal thermal sensors
Compressor timed off/on control or interlock		
No voltage on line side of compressor contactor	Blown fuses or tripped circuit breaker	Check for short in wiring or unit.
	Improper wiring	Recheck wiring diagram.
Improper voltage	High voltage	Wrong unit
		Power supply problem
	Low voltage	Wrong unit
		Power supply problem
		Wiring undersized
	Loose connections	
Single Phasing (3 phase)	Check incoming power and fusing.	
FLOODED STARTS		
SYMPTOM	POSSIBLE CAUSE	CHECK OR REMEDIES
Liquid in the compressor shell	Faulty or missing crankcase heater	Replace crankcase heater.
Too much liquid in system	Incorrect piping	Check piping guidelines.
	Overcharge	Check and adjust charge.

DIAGNOSTICS

Service Analyzer Charts

CONTAMINATION		
SYMPTOM	POSSIBLE CAUSE	REMEDY
Moisture	Poor evacuation on installation or during service	In each case, the cure is the same. Recover refrigerant. Add filter drier, evacuate, and recharge.
High head pressure	Noncondensibles air	
Unusual head and suction readings	Wrong refrigerant or mixed refrigerants	
Foreign matter – copper filings	Copper tubing cuttings	
Copper oxide	Dirty copper piping or nitrogen not used when brazing	
Welding scale	Nitrogen not used during brazing	
Soldering flux	Adding flux before seating copper partway	
Excess soft solder	Wrong solder material	
LOSS OF LUBRICATION		
SYMPTOM	POSSIBLE CAUSE	REMEDY
Compressor failures	Line tubing too large	Reduce pipe size to improve oil return.
Low suction pressure	Low charge	Check system charge.
	Refrigerant leaks	Repair and recharge.
Cold, noisy compressor – Slugging	Dilution of oil with refrigerant	Observe piping guidelines.
Noisy compressor	Migration	Check crankcase heater.
Cold, sweating compressor	Flooding	Check system charge.
Low load	Reduced airflow	Dirty filter
		Dirty coil
		Wrong duct size
		Restricted duct
	Thermostat setting	Advise customer.
Short cycling of compressor	Faulty high- or low-pressure control	Replace control.
	Loose wiring	Check all control wires.
	Thermostat	In supply air stream, out of calibration
		Customer misuse
SLUGGING		
SYMPTOM	POSSIBLE CAUSE	REMEDY
On start-up	Incorrect piping	Review pipe size guidelines.
TEV hunting when running	Faulty TEV	Replace TEV.

Service Analyzer Charts

FLOODING			
SYMPTOM	POSSIBLE CAUSE	REMEDY	
Poor system control using an EEV	Bad pressure reading	Check transducer wiring	
	Suction thermistor in wrong location	Replace thermistor	
	Bad suction thermistor	Replace thermistor	
	Improper superheat setting (less than 5°F [-15°C])	Adjust EEV SH setpoint dipo switches and validate valve operation.	
ELECTRONIC EXPANSION VALVES			
SYMPTOM	POSSIBLE CAUSE	REMEDY	
High Superheat, Low Suction Pressure (superheat over 15°F [-9°C])	Moisture freezing and blocking valve	Recover charge, install filter-drier, evacuate system, recharge.	
	Dirt or foreign material blocking valve	Recover charge, install filter-drier, evacuate system, recharge.	
	Low refrigerant charge	Correct the charge.	
	Vapor bubbles in liquid line		Remove restriction in liquid line. Correct the refrigerant charge.
			Remove noncondensable gases.
			Size liquid line correctly.
	Undersized EEV	Replace with correct valve.	
	Incorrectly sensing vapor line temperature	Verify suction thermistor resistance is correct and properly attached and insulated to the vapor line	
	Suction thermistor incorrectly calibrated.	Replace suction thermistor assembly.	
	Vapor pressure measured incorrectly.		After verifying lack of connectivity, replace the pressure transducer or harness.
			If harness has a short, replace harness
			If gauge pressure measurement and the converted voltage readings at the control are different replace the control.
	EEV is stuck		Remove EEV from the system and purge with nitrogen, replace filter drier, and recharge.
If EEV will not open, validate EEV wiring harness and rotor resistance between the black wire and the other 4 wires.			
If none of the above rectifies the issue, replace EEV and filter drier and recharge.			
ICC dc circuit failed	Verify 5Vdc to pressure transducer is present. If not, replace ICC.		
High superheat adjustment	Change the superheat offset dip switches to lower superheat		

DIAGNOSTICS

Service Analyzer Charts

ELECTRONIC EXPANSION VALVES (cont.)		
SYMPTOM	POSSIBLE CAUSE	REMEDY
Valve feeds too much refrigerant, with low superheat, with low superheat and higher than normal suction pressure.	EEV control dc circuit failed	Verify 5Vdc to pressure transducer is present, if not, replace EEV controller.
	High superheat adjustment	Change the superheat offset dip switches to increase superheat.
	Moisture causing valve to stick open.	Recover refrigerant, replace filter-drier, evacuate system, and recharge.
	Dirt or foreign material causing valve to stick open	Recover refrigerant, replace filter-drier, remove EEV and purge with nitrogen, evacuate system, and recharge.
		If EEV is completely clogged, use the EEV control to open the EEV, and purge with nitrogen, replace filter drier, and recharge.
	Oversized EEV	Install correct EEV
	Incorrect suction thermistor location	Install suction thermistor with the provided stainless steel strap and an additional zip tie at the 10:00 or 2:00 position on suction line, with insulation.
	Low superheat adjustment	Change the superheat offset dip switches to increase superheat.
	Incorrectly sensing vapor line temperature	Verify suction thermistor resistance is correct and properly attached and insulated to the vapor line.
	Suction thermistor incorrectly calibrated	Replace suction thermistor assembly.
Vapor pressure measured incorrectly.	After verifying lack of connectivity, replace the pressure transducer or harness.	
	If harness has a short, replace harness	
	If gauge pressure measurement and the converted voltage readings at the control are different replace pressure transducer	
	If gauge pressure measurement and the converted voltage readings at the control are the same, replace the control.	
Compressor flood back upon start-up	Refrigerant drainage from flooded evaporator	Install trap riser to the top of the evaporator coil.
	Inoperable crankcase heater or crankcase heater needed	Replace or add crankcase heater.
	Any of the causes listed under symptoms of Electrical problems on page 45	Any of the solutions listed under solutions of Electrical problems on page 45
Superheat is low to normal with low suction pressure	Unequal evaporator circuit loading	Ensure airflow is equally distributed through evaporator.
		Check for blocked distributor tubes.
	Low load or airflow entering evaporator coil	Ensure blower is moving proper air CFM.
		Remove/Correct any airflow restriction.

Service Analyzer Charts

ELECTRONIC EXPANSION VALVES (cont.)		
SYMPTOM	POSSIBLE CAUSE	REMEDY
Superheat and suction pressure fluctuate (valve is hunting)	Oversized EEV	Install correct EEV
	Unequal refrigerant flow through evaporator circuit	Ensure suction line thermistor is in correct location in a clean section of copper pipe.
	Moisture freezing and partially blocking EEV	Recover refrigerant, change filter-drier, evacuate system, and recharge.
Valve does not regulate at all	External equalizer line not connected or line plugged	Connect equalizer line in proper location, or remove any blockage.
	Sensing bulb lost its operating charge	Replace TEV.
	Valve body damaged during soldering or by improper installation	Replace the TEV.

COOLING MODE TROUBLESHOOTING TIPS					
SYSTEM PROBLEM	INDICATORS				
	DISCHARGE PRESSURE	SUCTION PRESSURE	SUPERHEAT Normal: 5°–15°F [-15° – -9°C]	SUBCOOLING Normal: See Charging Chart	COMPRESSOR AMPS
Overcharge	High	High	Low	High	High
Undercharge	Low	Low	High	Low	Low
Liquid Restriction (Drier)	Low	Low	High	High	Low
Low Indoor Airflow	Low	Low	Low	Low	Low
Dirty Outdoor Coil	High	High	Low	Low	High
Low Outdoor Ambient Temperature	Low	Low	High	High	Low
Inefficient Compressor	Low	High	High	High	Low
Indoor EEV Feeler Bulb Charge Lost	Low	Low	High	High	Low
Poorly Insulated Indoor Sensing Bulb	High	High	Low	Low	High

WIRING DIAGRAMS

For Single-Phase Models

<p style="text-align: center;">SCHEMATIC DIAGRAM</p>	<p style="text-align: center;">WIRING DIAGRAM</p>	<p style="text-align: center;">NOTES</p> <ol style="list-style-type: none"> 1... ONLY 2... COMPRESSOR MOTOR THERMALLY PROTECTED. 3... CASE OF FIELD WIRING IN GROUNDING MOUNTING, CONNECT TO THE FIELD WIRING IN GROUNDING MOUNTING AND PHASE PERMITTING, AND PER NATIONAL AND LOCAL CODES. 4... LOW VOLTAGE CIRCUIT TO BE E.C. CLASS 2 WITH A CLASS 2 TRANSFORMER 24 VOLT 50 OR 60 HZ MIN 18 AWG. 5... TO THERMOSTAT, REFER TO SYSTEM SCHEMATICS OR INDOOR SECTION FOR LOW VOLTAGE CONTROL WIRING. 6... UP, SELECT AND DOWN, PUSH BUTTONS USED FOR TEST AND DIAGNOSTIC RECALL, SEE PUSH BUTTON LABEL FOR DETAILS. 7... DUAL 7 SEGMENT LED DISPLAY TO DISPLAY DIAGNOSTIC CODES. 8... SOLID ON INDICATES VY CALL PRESET AT OCC CONTROL. 9... LPC AND HPC ARE AUTOMATIC RESET SWITCHES.
<p style="text-align: center;">WIRING INFORMATION</p> <p>LINE VOLTAGE -FACTORY STANDARD -FIELD INSTALLED -FIELD INSTALLED -FIELD INSTALLED -REPLACEMENT WIRE -MUST BE THE SAME SIZE AND TYPE OF INSULATION AS ORIGINAL (105C, MIN.) -WIRING MUST BE PERMANENTLY GROUNDED AND CONFORM TO I.E.C., N.E.C., C.E.C., NATIONAL WIRING REGULATIONS, AND LOCAL CODES AS APPLICABLE.</p>	<p style="text-align: center;">WIRE COLOR CODE</p> <p>BK...BLACK G...GREEN PR...PURPLE BR...BROWN GY...GRAY R...RED BL...BLUE O...ORANGE W...WHITE Y...YELLOW</p>	<p style="text-align: center;">ELECTRICAL WIRING DIAGRAM</p> <p>2 STAGE ECO NET (AC ONLY) W/ECM OUTDOOR FAN MOTOR</p>
<p style="text-align: center;">COMPONENT CODES</p> <p>CC.....COMPRESSOR CONTACTOR CCL.....CRANK CASE HEATER COM.....COMMON CONNECTION COMP.....COMPRESSOR COIL TIME VALVE EVAP (5 PIN), ELEC. THERMISTOR FAN.....OUTDOOR FAN CONNECTION HSBXV.....REVERSE VALVE COIL HSBX.....HIGH STAGE CONNECTION HPC.....HIGH PRESS. CONT. LCC.....START CURRENT SENS. TRANS. LPT.....LOW PRESSURE CONTROL</p> <p style="text-align: center;">COMPONENT CODES</p> <p>OAT.....OUTDOOR AIR TEMP. OFM.....OUTDOOR FAN MOTOR OST.....SUCTION TEMP. COIL PTH.....R/14 COM TAP PSC.....PSC COIL REC.....R/N CONNECTION RVS.....REVERSE VALVE COIL SPT.....START RELAY SR.....WIRE NUT 24 VAC.....24 VAC INPUT LPT.....FOR FUTURE USE...</p>		
<p style="text-align: right;">PART NO.: 90-101229-34 REV. 03</p>		

WIRING DIAGRAMS

WIRING DIAGRAM

SCHEMATIC DIAGRAM

NOTES

- CONNECTORS SUITABLE FOR USE WITH COPPER CONDUCTORS
- ONLY COMPRESSOR MOTORS THERMALLY PROTECTED. WIRING CIRCUIT CONDUIT TO BE FUSED DISCONNECT, VOLTAGE, HERTZ AND PHASE PER RATINGS AND PER NATIONAL AND LOCAL CODES.
- LOW VOLTAGE CIRCUIT TO BE N.E.C. CLASS 2 WITH A CLASS 2 TRANSFORMER 24 VOLT, 50 OR 60 HZ, MIN. 18 AWG.
- WIRING MUST BE PERMANENTLY IDENTIFIED AND LABELLED PER NATIONAL AND LOCAL CODES. SEE SCHEMATICS ON INDOOR SECTION FOR LOW VOLTAGE CONTROL WIRING.
- UP SELECT AND DOWN PUSH BUTTONS USED FOR TEST AND DIAGNOSTIC RECALL. SEE PUSH BUTTON LABEL FOR DETAILS. SEE DIAGNOSTIC LABEL FOR DETAILS.
- SOLD ON INDICATES Y1 CALL PRESET AT ICC CONTROL.
- LPC AND HPC ARE AUTOMATIC RESET SWITCHES.

WIRING INFORMATION

LINE VOLTAGE
 -FACTORY STANDARD
 -FACTORY OPTION
 -FIELD INSTALLED

LOW VOLTAGE
 -FACTORY STANDARD
 -FACTORY OPTION
 -FIELD INSTALLED

REPLACEMENT WIRE
 -MUST BE THE SAME SIZE AND TYPE
 OF INSULATION AS ORIGINAL (105C MIN.)

WARNING
 -CABINET MUST BE PERMANENTLY GROUNDED
 AND CONFORM TO I.E.C., N.E.C., C.E.C.,
 AND CONFORM TO ALL NATIONAL, AND LOCAL
 CODES AS APPLICABLE.

COMPONENT CODES

CC.....COMPRESSOR CONNECTION
 CCM.....CC 1/2 THERMISTOR
 COM.....COMMON CONNECTION
 COMP.....COMPRESSOR
 EXV (S/P/N).....ELEC. TX VALVE
 FAN.....OUTDOOR FAN CONNECTION
 HIGH.....HIGH STAGE CONNECTION
 HPC.....HIGH PRESS. COILS TRANS.
 LCT.....START CURRENT SENS. TRANS.
 LPC.....LOW PRESSURE CONTROL.
 LPT.....FOR FUTURE USE...

OUT.....OUTDOOR AIR TEMP.
 OLT.....OUTDOOR AIR TEMP. SENS.
 OST.....OUTDOOR AIR TEMP. SENS.
 P1.....P1 H.C. TEMP.
 P2.....P2 H.C. TEMP.
 R1.....R1 H.C. TEMP.
 R2.....R2 H.C. TEMP.
 R3.....R3 H.C. TEMP.
 R4.....R4 H.C. TEMP.
 R5.....R5 H.C. TEMP.
 R6.....R6 H.C. TEMP.
 R7.....R7 H.C. TEMP.
 R8.....R8 H.C. TEMP.
 R9.....R9 H.C. TEMP.
 R10.....R10 H.C. TEMP.
 R11.....R11 H.C. TEMP.
 R12.....R12 H.C. TEMP.
 R13.....R13 H.C. TEMP.
 R14.....R14 H.C. TEMP.
 R15.....R15 H.C. TEMP.
 R16.....R16 H.C. TEMP.
 R17.....R17 H.C. TEMP.
 R18.....R18 H.C. TEMP.
 R19.....R19 H.C. TEMP.
 R20.....R20 H.C. TEMP.
 R21.....R21 H.C. TEMP.
 R22.....R22 H.C. TEMP.
 R23.....R23 H.C. TEMP.
 R24.....R24 H.C. TEMP.
 R25.....R25 H.C. TEMP.
 R26.....R26 H.C. TEMP.
 R27.....R27 H.C. TEMP.
 R28.....R28 H.C. TEMP.
 R29.....R29 H.C. TEMP.
 R30.....R30 H.C. TEMP.

WIRE COLOR CODE

BK.....BLACK G.....GREEN PR.....PURPLE
 BR.....BROWN G Y.....GRAY R.....RED
 BL.....BLUE O.....ORANGE W.....WHITE
 Y.....YELLOW

ELECTRICAL WIRING DIAGRAM

2 STAGE ECO NET
 DEFORST CONTROL
 (AC ONLY)
 W/ PSC OUTDOOR FAN MOTOR

PART NO.: 90-101229-33

REV: 03

NOTES

A large rectangular area with rounded corners, containing 25 horizontal lines for writing notes. The lines are evenly spaced and extend across most of the width of the page.