

SUBMITTAL DATA: UTY-TTRX

Third Party Thermostat Convertor

Job Name: _____
 Location: _____
 Engineer: _____
 Submitted to: _____
 Submitted by: _____
 Reference: _____

Date: _____
 Approval: _____
 Construction: _____
 Unit #: _____
 Drawing #: _____



GENERAL FEATURES

The UTY-TTRX Thermostat Adapter allows a Fujitsu Mini Split system to be connected to a third-party thermostat with 24Vac outputs, such as Honeywell, Nest, etc. The 24Vac transformer is not included.

FEATURES

- UP to 16 indoor units may be controlled with a single thermostat controller.
- Multiple indoor units connected to convertor operate by the same operating setting.

ELECTRICAL

Power Supply DC (V) 12
 Max Power Consumption (W)..... 0.6
 Wire Type Polar 2 or 3 core sheathed PVC cable

TEMPERATURE

Operating Temperature Range °F (°C).....32-114 (0-46)
 Storage Temperature Range °F (°C)..... 14-140 (-10-60)
 Humidity Range (%).....0-95 (no condensation)

WEIGHT AND DIMENSIONS

Weight oz. (g).....4 (100)
 Dim.Net (HxWxD) in (mm).....1-1/16 x 3-7/16 x 3-7/16
 (27 x 86.7 x 86.7)

COMPATIBLE INDOOR UNITS

ASU7RLF ^{1,3}	ARU36RGLX	AUU42RGLX
ASU9RLF1 ^{1,3}	ARU42RGLX	AUU48RGLX
ASU12RLF ^{1,3}	ARU48RGLX	AGU9RLF
ASU7RLF1 ^{1,3}	ARU7RLF	AGU12RLF
ASU9RLF1 ^{1,3}	ARU9RLF	AGU15RLF
ASU12RLF1 ^{1,3}	ARU12RLF	AUU7RLF
ASU15RLF1 ^{1,3}	ARU18RLF	AUU9RLF
ASUG09LMAS ^{1,3}	ARU24RLF	AUU12RLF
ASUG12LMAS ^{1,3}	ASUG09LZAS ^{1,2,3}	AUU18RLF
ASU18RLF ³	ASUG12LZAS ^{1,2,3}	ASU18RLB ³
ASU24RLF ³	ASUG15LZAS ^{1,2,3}	ASU24RLB ³
ASU30RLE	ASU30RLE	ASU30RXLB ³
ARU12RGLX	AUU18RGLX	ASU36RLXB ³
ARU18RGLX	AUU24RGLX	AMUG24LMAS
ARU24RGLX	AUU30RGLX	AMUG30LMAS
ARU30RGLX	AUU36RGLX	AMUG36LMAS
		AMUG48LMAS

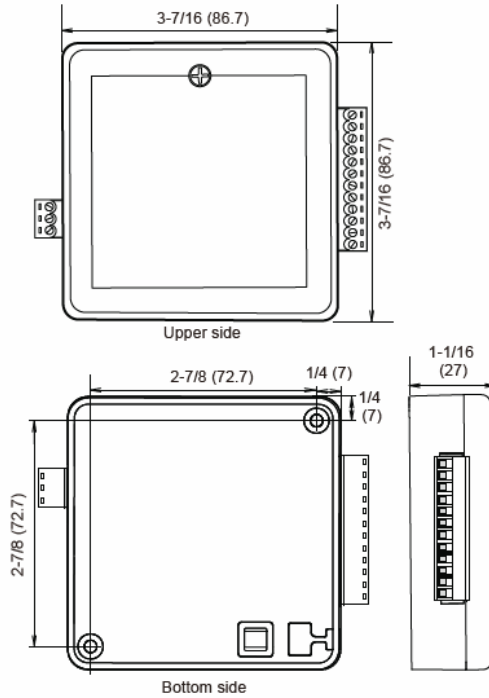
- 1.Requires Interface Kit
- 2.Before using UTY-TTRX with LZAS Series, please unplug the built-in WIFI adapter (CN12)
3. Requires UTY-WIFI

SUBMITTAL

DIMENSIONS

This product is comprised of a body and cover.

Unit : in (mm)



Set the bottom side to a flat place.

