

Wired Remote Controller (Touch Panel)

Job Name: _____
 Location: _____
 Engineer: _____
 Submitted to: _____
 Submitted by: _____
 Reference: _____

Date: _____
 Approval: _____
 Construction: _____
 Unit #: _____
 Drawing #: _____

ELECTRICAL

Power Supply DC (V)	12
Power Consumption(W)	Max 0.3
Wire Type	Polar 2 core sheathed Pair cable
Wire Size AWG (mm)	22 to 16 (0.33to 1.25)

TEMPERATURE SETTING RANGE

Cooling °F (°C)	64-88 (18-30)
Heating °F (°C)	60-88 (15-30)

WEIGHT AND DIMENSIONS

Weight oz. (g)	8 (220)
H x W x D: inches	4-3/4 x 4-3/4 x 11/161
H x W x D (mm)	(120 x 120 x 20.4)

COMPATIBLE UNITS

ASU30RLE	ARU36RGLX
ASUG09LMAS	ARU42RGLX
ASUG12LMAS	ARU48RGLX
ASUG09LZAS	AUU18RGLX
ASUG12LZAS	AUU24RGLX
ASUG15LZAS	AUU30RGLX
ARU12RGLX	AUU36RGLX
ARU18RGLX	AUU42RGLX
ARU24RGLX	AUU48RGLX
ARU30RGLX	-



GENERAL INFO

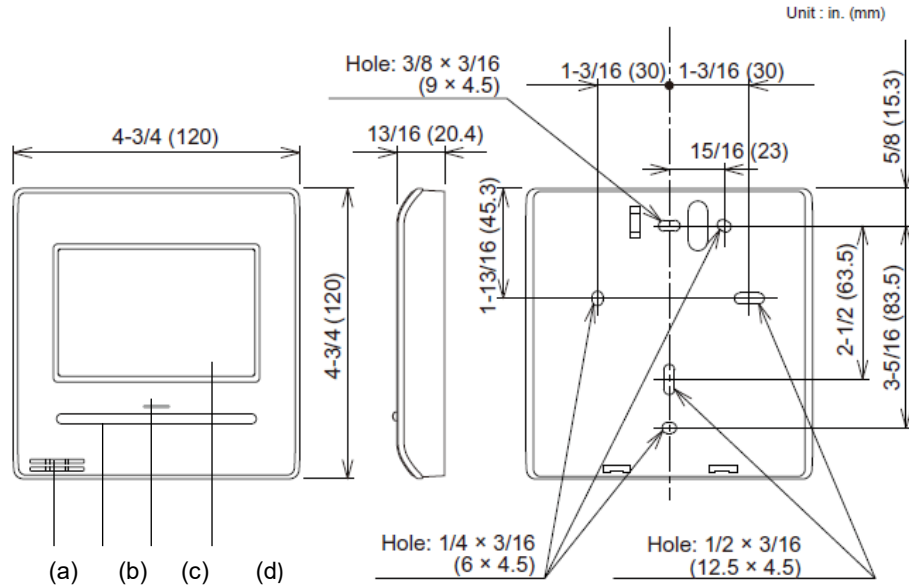
Wired touch screen remote controller with backlight that connects to the Halcyon indoor units using 2-wires

GENERAL FEATURES

- Operation modes: Custom Auto/Cool/Dry/Fan/Heat
- Emergency Heat Operation
- Touch panel w/ backlit display
- Room air temperature display
- User friendly control
- Group & Individual Control:
 - Up to 16 individual indoor units can be simultaneously controlled.
- Human Sensor Setting:
 - Controls the temperature setting when no one is occupying the room to save energy costs.
- Fan Control for Energy Saving:
 - Fan operates intermittently and power is saved when set temperature is reached during cooling operation.
- Auto Off Timer Setting:
 - Operation stops after the set time when indoor unit operation is started by the Operation button.
- Weekly Timer Setting:
 - Weekly operation schedule can be set. Two schedule patterns can be created, up to 8-time settings for each day.

Wired Remote Controller (Touch Panel)

Dimensions:



- (a) Room temperature sensor
- (b) Operation (occupied/unoccupied) button
- (c) LED lamp (operation indicator)
- (d) Touch panel display