

**Inverter Driven Heat Pump**
**9,000 BTU Single Zone Floor Mount System**

Job Name \_\_\_\_\_  
 Location \_\_\_\_\_  
 Engineer \_\_\_\_\_  
 Submitted To \_\_\_\_\_  
 Submitted By \_\_\_\_\_  
 Reference \_\_\_\_\_

Date \_\_\_\_\_  
 Approval \_\_\_\_\_  
 Construction \_\_\_\_\_  
 Unit No \_\_\_\_\_  
 Drawing No \_\_\_\_\_

**PRODUCT FEATURES**

- Auto Changeover
- 24 hr. Timer
- Auto Louver
- Minimum Heat Mode
- Auto Restart
- Wireless Remote control
- Powerful Mode
- Floor Level Heating


**MODEL NUMBERS**

Indoor Unit	AGU9RLF
Outdoor Unit	AOU9RLFFH
System	9RLFFH

**EFFICIENCIES**

SEER	26	
EER	16	
HSPF	12.4	
COP	kW/kW	4.00
	Btu/hW	13.6

**OUTDOOR TEMPERATURE OPERATION RANGE**

Cooling	*F(°C)	14 to 115 (-10 to 46)
Heating		-15 to 75 (-26 to 24)

**CAPACITIES**

Cooling	Rated	BTU/hW	9,000
	Min.–Max.		3100 - 13,000
Heating	Rated		12,000
	Min.–Max.		3100 - 18,800

**LINESET REQUIREMENTS**

Connection Method		Flare
Liquid	in (mm)	Ø 1/4 (Ø 6.35)
Gas		Ø 3/8 (Ø 9.52)
Pre-Charge Length	ft (m)	49 (15)
Minimum Length		10 (3)
Maximum Length		66 (20)
Max. Height Diff.		49 (15)

**INDOOR DIMENSIONS & WEIGHT**

Net (H x W x D)	in	23-5/8 x 29-1/8 x 7-7/8
	mm	600 x 740 x 200
Gross (H x W x D)	in	27-9/16 x 32-5/16 x 12-3/16
	mm	700 x 820 x 310
Net Weight	lb (kg)	31 (14)
Gross Weight		37 (17)

**OUTDOOR DIMENSIONS & WEIGHT**

Net (H x W x D)	in	24-7/16 x 31-1/8 x 11-7/16
	mm	620 x 790 x 290
Gross (H x W x D)	in	28-1/16 x 37-3/16 x 15-9/16
	mm	713 x 945 x 395
Net Weight	lb (kg)	86 (39)
Gross Weight		95 (43)

**Warranty Information**


7 Year Compressor, 5 Year Parts out-of-the-box Warranty



10 Year Compressor, 10 Year Parts Warranty when registered within 60 days of installation in a residence



12 Year Compressor, 12 Year Parts Warranty when registered within 60 days of installation in a residence, and installed by a Fujitsu Elite contractor

**ACCESSORIES**

UTY-TTRX	3rd Party Thermostat Converter
UTY-RNNUM	Wired Remote
UTY-RVNUM	Wired Remote w/backlight
UTY-RSNUM	Simple Remote
UTY-XWZXZ5	Dry Contact Wire Kit
FJ-IR-WIFI-1NA	Intesis IR WiFi module
FJ-RC-WIFI-1NA	Intesis Wired WiFi module



This system combination is Energy Star qualified



Indoor Unit ETL#: 3170288  
Outdoor Unit ETL#: 91987



**SUBMITTAL 9RLFFH**



**Inverter Driven Heat Pump**

**9,000 BTU Single Zone Floor Mount System**

**FAN DATA**

Indoor Unit Airflow Rate	Cooling	High	CFM (m3/h)	336 (570)
		Medium		271 (460)
		Low		212 (360)
		Quiet		159 (270)
	Heating	High		353 (600)
		Medium		283 (480)
		Low		218 (370)
		Quiet		159 (270)
Outdoor Unit Airflow Rate	Cooling		1207 (2050)	
	Heating		1207 (2050)	

**SOUND PRESSURE**

Indoor Unit	Cooling	High	dB (A)	40
		Medium		35
		Low		29
		Quiet		23
	Heating	High		40
		Medium		35
		Low		29
		Quiet		23
Outdoor Unit	Cooling		49	
	Heating		50	

**REFRIGERANT**

Type	R410A		
Charge	lb oz	2lbs.10oz.	
	kg	1	
Oil Type	FREOL α68SZ		

**ELECTRICAL SPECIFICATIONS**

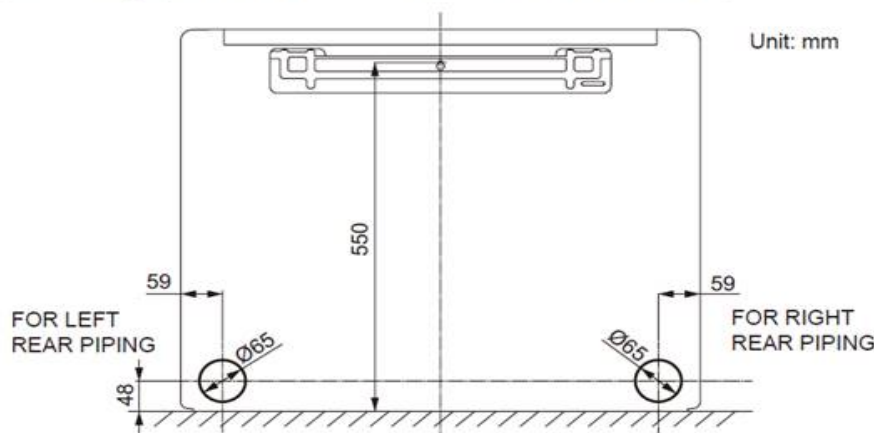
Voltage/Frequency/Phase			208 / 230 V ~ 60 Hz	
Voltage Range			187 - 253 V	
Current	Cooling	Rated	A	2.9
	Heating	Rated		4.1
Maximum Operating Current		Cooling		10.3
		Heating		11.8
Starting Current			4.1	
MCA			11.8	
Maximum Circuit Breaker			15	
Input Power	Cooling	Rated	kW	0.56
		Min.–Max.		0.20 - 2.05
	Heating	Rated		0.88
		Min.–Max.	0.20 - 2.62	
Power Factor	Cooling		%	84
	Heating		%	93

**OTHER**

Moisture Removal	pints/h (L/h)	2.7 (1.3)
Energy Star		YES
Drain hose	Material	PP + LLDPE
Size	in (mm)	Ø9/16(Ø13.8) (I.D.), Ø5/8 to Ø11/16(Ø15.8 to Ø16.7) (O.D.)
	Operation Range	
Cooling	°F (°C)	64 to 90 (18 to 32)
	%RH	80 or less
Heating	°F (°C)	60 to 88 (16 to 30)

**BRACKET DATA**

**For RIGHT REAR or LEFT REAR piping**  
(The following figure is a front view of the indoor unit installation location.)



The Fujitsu logo is a worldwide trademark of Fujitsu General Limited. The Halcyon logo and name is a worldwide trademark of Fujitsu General Limited and is a registered trademark in Japan, the USA and other countries or areas. Copyright 2018 Fujitsu General America, Inc. Fujitsu's products are subject to continuous improvements. Fujitsu reserves the right to modify product design, specifications and information in this brochure without notice and without incurring any obligations.

Note: Specifications are based on the following conditions:  
Cooling: Indoor temperature of 80°F (26.7°C) DB/67°F (19.4°C) WB, and outdoor temperature of 95°F (35°C) DB/75°F (23.9°C) WB. Heating: Indoor temperature of 70°F (21.1°C) DB/60°F (15.6°C) WB, and outdoor temperature of 47°F (8.3°C) DB/43°F (6.1°C) WB. Pipe length: 25ft. (7.5m), Height difference: 0ft. (0m) (Outdoor unit - indoor unit).

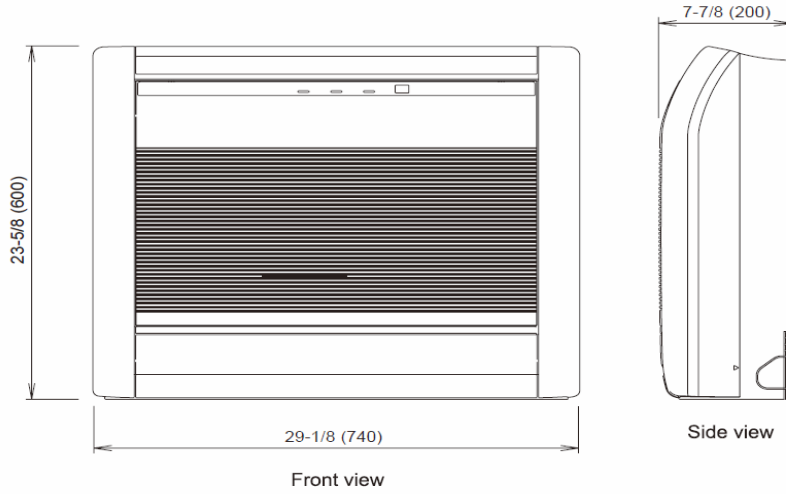
Inverter Driven Heat Pump

9,000 BTU Single Zone Floor Mount System

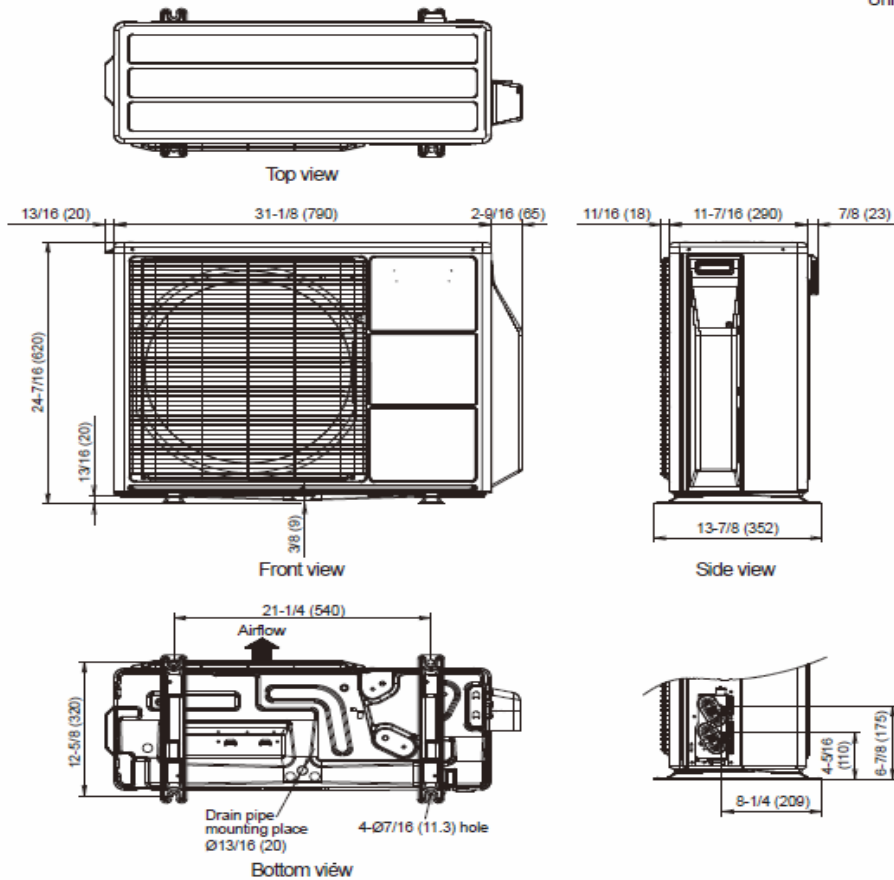
DIMENSIONS

Units: In. (mm)

Unit: in. (mm)



Unit: in. (mm)



The Fujitsu logo is a worldwide trademark of Fujitsu General Limited. The Halcyon logo and name is a worldwide trademark of Fujitsu General Limited and is a registered trademark in Japan, the USA and other countries or areas. Copyright 2018 Fujitsu General America, Inc. Fujitsu's products are subject to continuous improvements. Fujitsu reserves the right to modify product design, specifications and information in this brochure without notice and without incurring any obligations.

Note: Specifications are based on the following conditions:  
 Cooling: Indoor temperature of 80°F (26.7°C) DB/67°F (19.4°C) WB, and outdoor temperature of 95°F (35°C) DB/75°F (23.9°C) WB. Heating: Indoor temperature of 70°F (21.1°C) DB/60°F (15.6°C) WB, and outdoor temperature of 47°F (8.3°C) DB/43°F (6.1°C) WB. Pipe length: 25ft. (7.5m), Height difference: 0ft. (0m) (Outdoor unit - indoor unit).