

Inverter Driven Heat Pump

24K BTU Single Zone Wall Mounted System

Job Name _____
 Location _____
 Engineer _____
 Submitted To _____
 Submitted By _____
 Reference _____

Date _____
 Approval _____
 Construction _____
 Unit No _____
 Drawing No _____

PRODUCT FEATURES

- Auto Changeover
- 24 Hour Timer
- Auto Louver: 4 way
- Minimum Heat Mode
- Quiet Mode
- Auto Restart
- Economy Mode
- Auto Fan



MODEL NUMBERS

Indoor Unit	ASU24RLB
Outdoor Unit	AOU24RLB
System	24RLB

EFFICIENCIES

SEER	18.0	
EER	10	
HSPF	10.6	
COP	kW/kW	3.65
	Btu/hW	12.5

OUTDOOR TEMPERATURE OPERATION RANGE

Cooling	*F(°C)	14 to 115 (-10 to 46)
Heating		5 to 75 (-15 to 24)

CAPACITIES

Cooling	Rated	BTU/hW	24,000
	Min.-Max.		3100 - 25000
Heating	Rated		24,000
	Min.-Max.		7500-27000

LINESET REQUIREMENTS

Connection Method		Flare
Liquid	in (mm)	Ø 1/4 (Ø 6.35)
		Ø 1/2 (Ø 12.70)
Pre-Charge Length	ft (m)	49 (15)
Minimum Length		10 (3)
Maximum Length		66 (20)
Max. Height Diff.		49 (15)

INDOOR DIMENSIONS & WEIGHT

Net (H x W x D)	in	12-10/16 x 39-5/16 x 9
	mm	320 x 998 x 228
Gross (H x W x D)	in	12-9/16 x 42-15/16 x 16-14/16
	mm	319 x 1090 x 429
Net Weight	lb (kg)	31 (14)
		40 (18)

OUTDOOR DIMENSIONS & WEIGHT

Net (H x W x D)	in	24 - 7/16 x 31 - 2/16 x 11 - 7/16
	mm	620 x 790 x 290
Gross (H x W x D)	in	28 - 1/16 x 37-3/16 x 15 - 9/16
	mm	713 x 945 x 395
Net Weight	lb (kg)	86 (39)
		93 (42)



Indoor Unit ETL#: 3170288
 Outdoor Unit ETL#: 91987

Effective Date: 10/29/2019 Version 24RLB 2019C

Warranty Information



7 Year Compressor, 5 Year Parts out-of-the-box Warranty



10 Year Compressor, 10 Year Parts Warranty when registered within 60 days of installation in a residence



12 Year Compressor, 12 Year Parts Warranty when registered within 60 days of installation in a residence, and installed by a Fujitsu Elite contractor

ACCESSORIES

UTY-TTRX	3rd Party Thermostate Converter
FJ-IR-WIFI-1NA	Intesis WiFi IR Module
FJ-RC-WIFI-1NA	Intesis WiFi Wired Module
UTY-TFNXZ2	WiFi Interface Module
UTY-RNNUM	Wired Remote
UTY-RVNUM	Wired Remote w/backlight
UTY-RSNUM	Simple Remote
UTY-XWZX	Dry Contact Wire Kit

Due to continuous product improvements, specifications are subject to change without notice. Please log in to the Fujitsu Portal for the most up-to-date documentation <https://portal.fujitsugeneral.com>

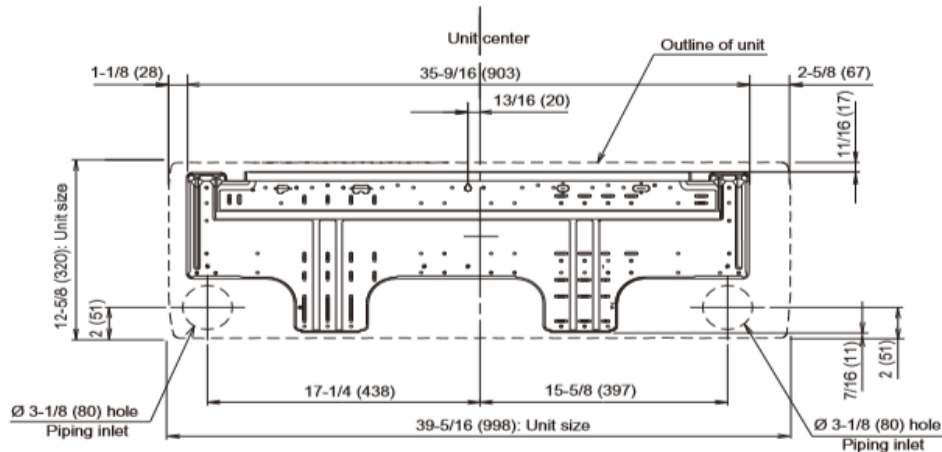
24K BTU Single Zone Wall

24K BTU Single Zone Wall Mounted System

FAN DATA				
Indoor Unit Airflow Rate	Cooling	High	CFM (m3/h)	659 (1120)
		Medium		530 (900)
		Low		435 (740)
		Quiet		365 (620)
	Heating	High		647 (1100)
		Medium		530 (900)
		Low		435 (740)
		Quiet		365 (620)
Outdoor Unit Airflow Rate	Cooling		1,457 (2,475)	
	Heating		1,407 (2,355)	
SOUND PRESSURE				
Indoor Unit	Cooling	High	dB (A)	47
		Medium		41
		Low		35
		Quiet		31
	Heating	High		47
		Medium		42
		Low		36
		Quiet		33
Outdoor Unit	Cooling		54	
	Heating		50	
REFRIGERANT				
Type				R410A
Charge	lb oz			3lbs. 1oz
	kg			1
Oil Type				POE (RB68)

ELECTRICAL SPECIFICATIONS				
Voltage/Frequency/Phase			208/230V ~ 60Hz	
Voltage Range			187-253V	
Current	Cooling	Rated	A	10.5
	Heating	Rated		8.5
Maximum Operating Current	Cooling		A	11.8
	Heating			13.8
Starting Current			10.5	
MCA			17.1	
Maximum Circuit Breaker			20	
Input Power	Cooling	Rated	kW	2.4
		Min.-Max.		2.5
Heating	Rated	1.925		
	Min.-Max.	2.54		
Power Factor	Cooling			%
	Heating			99
			98	
OTHER				
Moisture Removal		pints/h (L/h)	3(6.3)	
Energy Star			NO	
Drain hose	Material		PVC	
	Size	in (mm)	Ø 15/32 (12) (I.D.), 5/8(16)	
Operation Range	Cooling	°F (°C)	64 to 90 (18 to 32)	
			%RH	80 or less
Heating			°F (°C)	
			88 (30) or less	

Wall Bracket Data:



The Fujitsu logo is a worldwide trademark of Fujitsu General Limited. The Halcyon logo and name is a worldwide trademark of Fujitsu General America, Inc. Fujitsu's products are subject to continuous improvements. Fujitsu reserves the right to modify product design, specifications and information in this brochure without notice and without incurring any obligations.

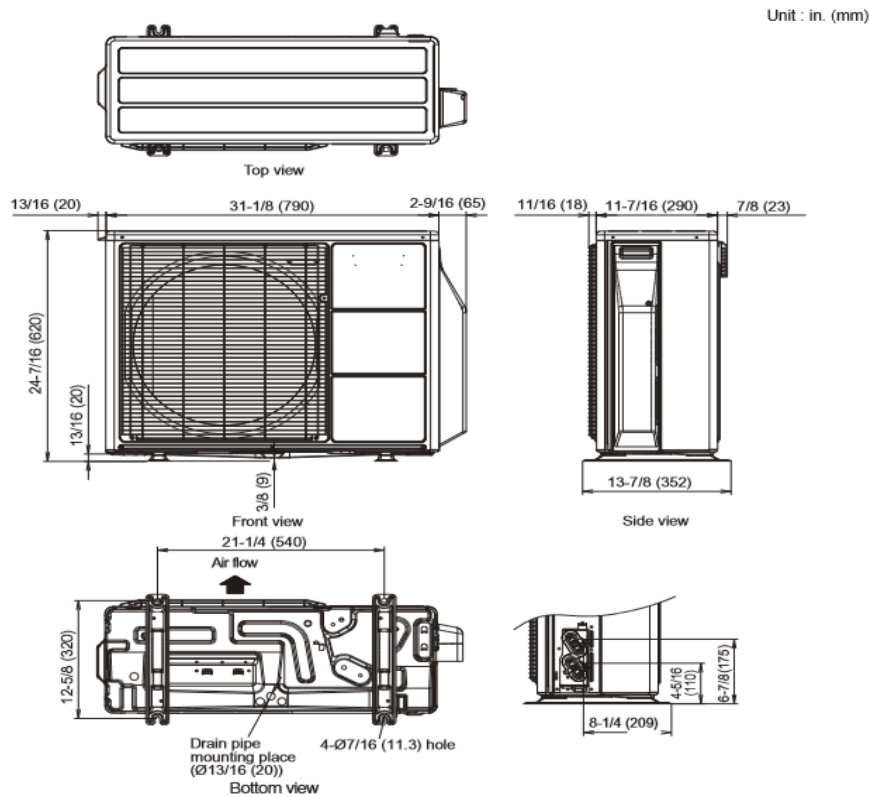
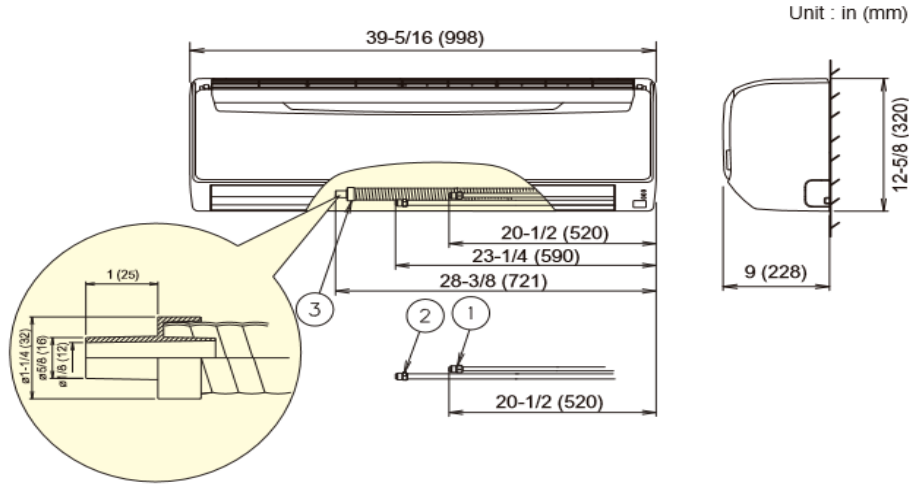
Note: Specifications are based on the following conditions:
 Cooling: Indoor temperature of 80°F (26.7°C) DB/67°F (19.4°C) WB, and outdoor temperature of 95°F (35°C) DB/75°F (23.9°C) WB. Heating: Indoor temperature of 70°F (21.1°C) DB/60°F (15.6°C) WB, and outdoor temperature of 47°F (8.3°C) DB/43°F (6.1°C) WB. Pipe length: 25ft. (7.5m), Height difference: 0ft. (0m) (Outdoor unit - indoor unit).

24K BTU Single Zone Wall

24K BTU Single Zone Wall Mounted System

DIMENSIONS

Units: In. (mm)



The Fujitsu logo is a worldwide trademark of Fujitsu General Limited. The Halcyon logo and name is a worldwide trademark of Fujitsu General Limited and is a registered trademark in Japan, the USA and other countries or areas. Copyright 2018 Fujitsu General America, Inc. Fujitsu's products are subject to continuous improvements. Fujitsu reserves the right to modify product design, specifications and information in this brochure without notice and without incurring any obligations.

Note: Specifications are based on the following conditions:
 Cooling: Indoor temperature of 80°F (26.7°C) DB/67°F (19.4°C) WB, and outdoor temperature of 95°F (35°C) DB/75°F (23.9°C) WB. Heating: Indoor temperature of 70°F (21.1°C) DB/60°F (15.6°C) WB, and outdoor temperature of 47°F (8.3°C) DB/43°F (6.1°C) WB. Pipe length: 25ft. (7.5m). Height difference: 0ft. (0m) (Outdoor unit - indoor unit).