

Inverter Driven Heat Pump

24,000 BTU Circular Flow Cassette

Job Name _____
 Location _____
 Engineer _____
 Submitted To _____
 Submitted By _____
 Reference _____

Date _____
 Approval _____
 Construction _____
 Unit No _____
 Drawing No _____

PRODUCT FEATURES

- 360° Circular flow distributes air more evenly around the room
- Adjustable louver swing
- Adjustable airflow
- Optional human sensor detects room occupancy for energy savings
- 7mm High density heat exchanger
- Seamless airflow louver
- Grille available in White (UTG-GCGF) or Black (UTG-LCGVCB), sold separately



MODEL NUMBERS

Indoor Unit	AUU24RGLX
Outdoor Unit	AOU24RGLX
System	24RGLXC

EFFICIENCIES

SEER	20	
EER	12.8	
HSPF	10.8	
COP	kW/kW	3.69
	Btu/hW	12.6

OUTDOOR TEMPERATURE OPERATION RANGE

Cooling	*F(°C)	-5 to 115 (-20 to 46)
Heating		-5 to 75 (-20 to 24)

CAPACITIES

Cooling	Rated	BTU/hW	24,000
	Min.-Max.		5,400-29,000
Heating	Rated		27,000
	Min.-Max.		5,400-32,400

LINESET REQUIREMENTS

Connection Method		Flare
Liquid	in (mm)	Ø 3/8 (9.52)
		Ø 5/8 (15.88)
Pre-Charge Length	ft (m)	65 (20)
Minimum Length		16 (5)
Maximum Length		164 (50)
Max. Height Diff.		98 (30)

INDOOR DIMENSIONS & WEIGHT

Net (H x W x D)	in	9-11/16 x 33-1/16 x 33-1/16
	mm	246 x 840 x 840
Gross (H x W x D)	in	11-3/4 x 37-13/16 x 37-3/8
	mm	298 x 960 x 950
Net Weight	lb (kg)	53 (24)
Gross Weight		62 (28)

OUTDOOR DIMENSIONS & WEIGHT

Net (H x W x D)	in	32-11/16 x 35-7/16 x 13
	mm	830 x 900 x 330
Gross (H x W x D)	in	39-3/8 x 41-5/16 x 17-1/2
	mm	1,000 x 1,050 x 445
Net Weight	lb (kg)	134 (61)
Gross Weight		152 (69)

Warranty Information



7 Year Compressor, 5 Year Parts out-of-the-box Warranty



10 Year Compressor, 10 Year Parts Warranty when registered within 60 days of installation in a residence



12 Year Compressor, 12 Year Parts Warranty when registered within 60 days of installation in a residence, and installed by a Fujitsu Elite contractor

ACCESSORIES

UTG-GCGF	White Cassette Grille
UTG-LCGVCB	Black Cassette Grille
UTY-RNRUZ4	Wired Remote Control
UTY-RSRY	Simple Remote Control
UTY-LBTUC	IR Receiver Kit w/ Wireless Remote
UTY-SHZXC	Human Sensor Kit
UTY-TTRX	Third Party Thermostat Adapter
UTY-TFSXZ2	WiFi Module
KHRS940-25	Fresh Air Kit



Indoor Unit ETL#: 3170288
 Outdoor Unit ETL#: 91987



SUBMITTAL 24RGLXC



Inverter Driven Heat Pump

24,000 BTU Circular Flow Cassette

FAN DATA

Indoor Unit Airflow Rate	Cooling	High	CFM (m3/h)	677 (1,150)
		Medium		618 (1,050)
		Low		577 (980)
		Quiet		512 (870)
	Heating	High		677 (1,150)
		Medium		618 (1,050)
		Low		577 (980)
		Quiet		512 (870)
Outdoor Unit Airflow Rate	Cooling		2,119 (3,600)	
	Heating		2,119 (3,600)	

SOUND PRESSURE

Indoor Unit	Cooling	High	dB (A)	35
		Medium		34
		Low		32
		Quiet		29
	Heating	High		35
		Medium		34
		Low		32
		Quiet		29
Outdoor Unit	Cooling		53	
	Heating		55	

REFRIGERANT

Type	R410A		
Charge	lb oz	4 lb 10.1oz	
	g	2,100	
Oil Type	POE (RB68)		

CASSETTE GRILL (SOLD SEPARATELY)

Color	UTG-GCGF	White		
	UTG-LCGVB	Black		
Dimensions (H x W x D)	Net	in (mm)	2- 1/16 x 37-3/8 x 37 3/8	
			(53 x 950 x 950)	
	Gross		4-5/16 x 39-3/8 x 39-3/4	
			(110 x 1,000 x 1,000)	
Weight	Net	lb (kg)	13 (6.0)	
	Gross		22 (10)	

ELECTRICAL SPECIFICATIONS

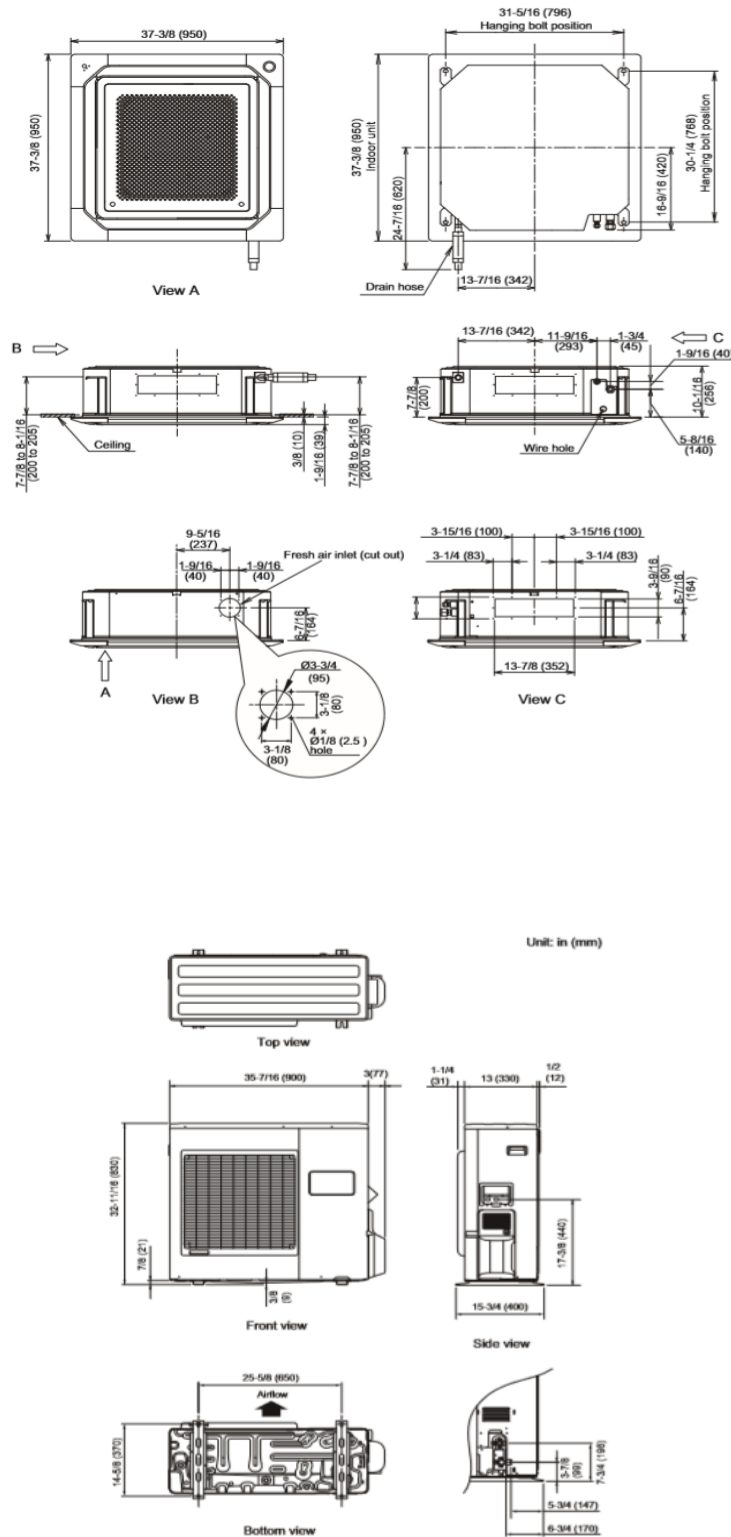
Voltage/Frequency/Phase			208-230V/60Hz/1	
Voltage Range			187-253 V	
Current	Cooling	Rated	A	8.4
	Heating	Rated		9.6
Maximum Operating Current		Cooling		15.6
		Heating		16.1
Starting Current			9.6	
MCA			20.8	
Maximum Circuit Breaker			30	
Input Power	Cooling	Rated	kW	1.88
		Min.-Max.		0.58-2.77
	Heating	Rated		2.15
		Min.-Max.	0.50-2.88	
Power Factor	Cooling		%	97
	Heating			97
OTHER				
Moisture Removal		pints/h (L/h)		5.1 (2.9)
Energy Star	Yes			
Drain hose	Material		PVC (VP25)	
	Size	in (mm)	Ø 1 (25) (I.D.), Ø 1-1/16 (26.6)	
Operation Range	Cooling	°F (°C)	64 to 90 (18 to 32)	
		%RH	80 or less	
	Heating	°F (°C)	60 to 86 (16 to 30)	

The Fujitsu logo is a worldwide trademark of Fujitsu General Limited. The Halcyon logo and name is a worldwide trademark of Fujitsu General Limited and is a registered trademark in Japan, the USA and other countries or areas. Copyright 2018 Fujitsu General America, Inc. Fujitsu's products are subject to continuous improvements. Fujitsu reserves the right to modify product design, specifications and information in this brochure without notice and without incurring any obligations.

Note: Specifications are based on the following conditions:
 Cooling: Indoor temperature of 80°F (26.7°C) DB/67°F (19.4°C) WB, and outdoor temperature of 95°F (35°C) DB/75°F (23.9°C) WB. Heating: Indoor temperature of 70°F (21.1°C) DB/60°F (15.6°C) WB, and outdoor temperature of 47°F (8.3°C) DB/43°F (6.1°C) WB. Pipe length: 25ft. (7.5m), Height difference: 0ft. (0m) (Outdoor unit - indoor unit).

DIMENSIONS

Units: In. (mm)



Unit: in (mm)

The Fujitsu logo is a worldwide trademark of Fujitsu General Limited. The Halcyon logo and name is a worldwide trademark of Fujitsu General Limited and is a registered trademark in Japan, the USA and other countries or areas. Copyright 2018 Fujitsu General America, Inc. Fujitsu's products are subject to continuous improvements. Fujitsu reserves the right to modify product design, specifications and information in this brochure without notice and without incurring any obligations.

Note: Specifications are based on the following conditions:
 Cooling: Indoor temperature of 80°F (26.7°C) DB/67°F (19.4°C) WB, and outdoor temperature of 95°F (35°C) DB/75°F (23.9°C) WB. Heating: Indoor temperature of 70°F (21.1°C) DB/60°F (15.6°C) WB, and outdoor temperature of 47°F (8.3°C) DB/43°F (6.1°C) WB. Pipe length: 25ft. (7.5m), Height difference: 0ft. (0m) (Outdoor unit - indoor unit).