

**Inverter Driven Heat Pump**

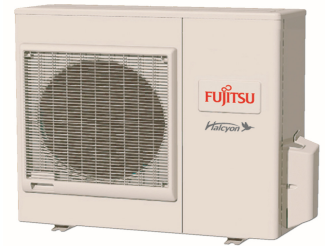
**18,000 BTU Single Zone Floor/Ceiling Mounted**

Job Name \_\_\_\_\_  
 Location \_\_\_\_\_  
 Engineer \_\_\_\_\_  
 Submitted To \_\_\_\_\_  
 Submitted By \_\_\_\_\_  
 Reference \_\_\_\_\_

Date \_\_\_\_\_  
 Approval \_\_\_\_\_  
 Construction \_\_\_\_\_  
 Unit No \_\_\_\_\_  
 Drawing No \_\_\_\_\_

**PRODUCT FEATURES**

- Auto Changeover
- 24 Hr. Timer
- Floor/Ceiling Mount
- Accepts Fresh Air (Field Supplied)
- Auto Restart
- OF Low Ambient Cooling
- Auto Louver
- Auto Fan Mode



MODEL NUMBERS	
Indoor Unit	ABU18RULX
Outdoor Unit	AOU18RLX
System	18RULX

EFFICIENCIES	
SEER	16
EER	10.90
HSPF	8.50

OUTDOOR TEMPERATURE OPERATION RANGE		
Cooling	°F(°C)	0 to 115 (-18 to 46)
Heating		14 to 75 (-10 to 24)

CAPACITIES			
Cooling	Rated	BTU/hW	17,800
	Max.		5000–21500
Heating	Rated		21,500
	Max.		5000–25600

LINESET REQUIREMENTS		
Connection Method		Flare
Liquid	in (mm)	Ø1/4 (6.35)
Gas		Ø1/2 (12.70)
Pre-Charge Length	ft (m)	49 (15)
Minimum Length		16 (5)
Maximum Length		164(50)
Max. Height Diff.		66 (20)

INDOOR DIMENSIONS & WEIGHT		
Net (H x W x D)	in	7 - 27/32 x 38 - 31/32 x 25 - 25/32
	mm	199 x 990 x 655
Gross (H x W x D)	in	12 - 19/32 x 45 - 9/32 x 31 - 3/3
	mm	320 x 1150 x 790
Net Weight	lb (kg)	75 (34)
Gross Weight		97 (44)

OUTDOOR DIMENSIONS & WEIGHT		
Net (H x W x D)	in	32- 11/16 x 35- 7/16 x 13
	mm	830 x 900 x 330
Gross (H x W x D)	in	38- 3/16 x 41- 11/32 x 17- 17/32
	mm	970 x 1050 x 445
Net Weight	lb (kg)	141(64)
Gross Weight		154(70)

**Warranty Information**



6 Year Compressor, 2 Year Parts out-of-the-box Warranty

ACCESSORIES		
FJ-IR-WIFI-1NA		Intesis IR WiFi module
FJ-RC-WIFI-1NA		Intesis Wired WiFi module
UTY-RNBYU		Wired Remote



Indoor Unit ETL#: 3170288  
 Outdoor Unit ETL#: 91987

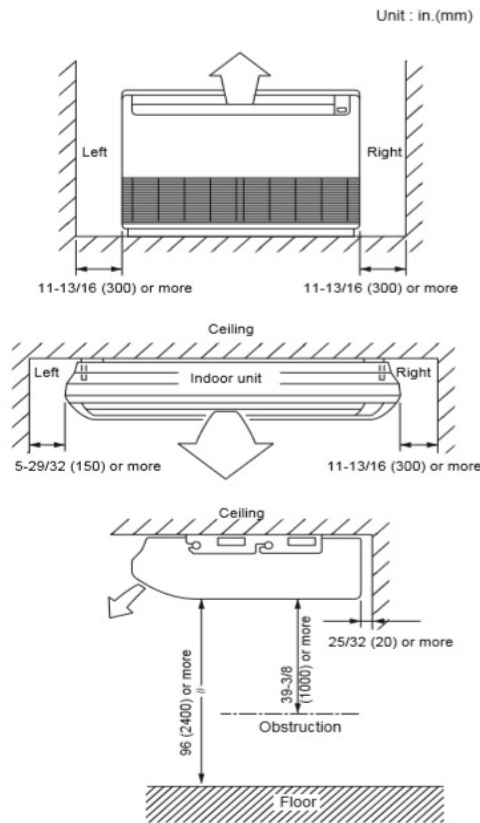
Due to continuous product improvements, specifications are subject to change without notice. Please log in to the Fujitsu Portal for the most up-to-date documentation <https://portal.fujitsugeneral.com>

**Inverter Driven Heat Pump**

**18,000 BTU Single Zone Floor/Ceiling Mounted**

FAN DATA				ELECTRICAL SPECIFICATIONS						
Indoor Unit Airflow Rate	Cooling	High	CFM (m3/h)	459(780)	Voltage/Frequency/Phase			208 / 230V		
		Medium		383(650)	Voltage Range			187 - 253V ~ 60Hz		
		Low		324(550)	Current	Cooling	Rated	A	7.0	
	Heating	High		459(780)		Heating	Rated		8.9	
		Medium		383(650)		Maximum Operating Current			Cooling	12.5
		Low		324(550)	Heating		12.5			
Starting Current				9.1						
Maximum Circuit Breaker				20						
Outdoor Unit Airflow Rate	Cooling			1942(3300)	Input Power	Cooling	Rated	kW	1.61	
	Heating			1942(3300)		Heating	Max		2.88	
<b>SOUND PRESSURE</b>										
Indoor Unit	Cooling	High	dB (A)	43						
		Medium		39						
		Low		35						
	Heating	High		43						
		Medium		39						
		Low		35						
Outdoor Unit	Cooling			51						
	Heating			51						
<b>REFRIGERANT</b>										
Type	R410A									
Charge	lb oz	4lb. 3-1/32oz.								
	kg	1,900								
Oil Type	POE (RB68)									
<b>OTHER</b>										
Moisture Removal		pints/h (L/h)				2.5(5.3)				
Energy Star		No								
Drain hose		Material		ABS						
Size		in (mm)		Ø31/32(Ø29) (I.D.), Ø1-5/32(Ø25) (O.D.)						
Operation Range	Cooling	°F (°C)		0 to 115 (-18 to 46)						
	Heating	°F (°C)		14 to 75 (-10 to 24)						

**Mounting Postion:**



The Fujitsu logo is a worldwide trademark of Fujitsu General Limited. The Halcyon logo and name is a worldwide trademark of Fujitsu General Limited and is a registered trademark in Japan, the USA and other countries or areas. Copyright 2018 Fujitsu General America, Inc. Fujitsu's products are subject to continuous improvements. Fujitsu reserves the right to modify product design, specifications and information in this brochure without notice and without incurring any obligations.

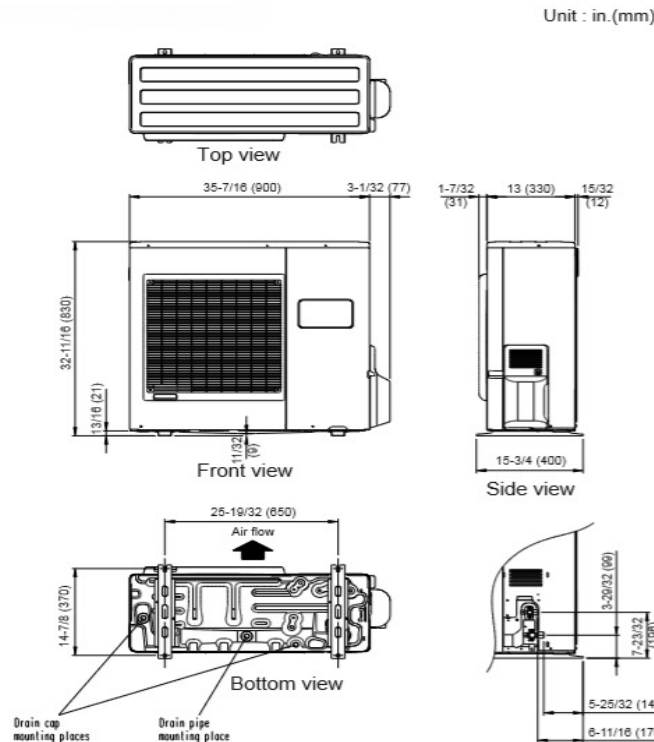
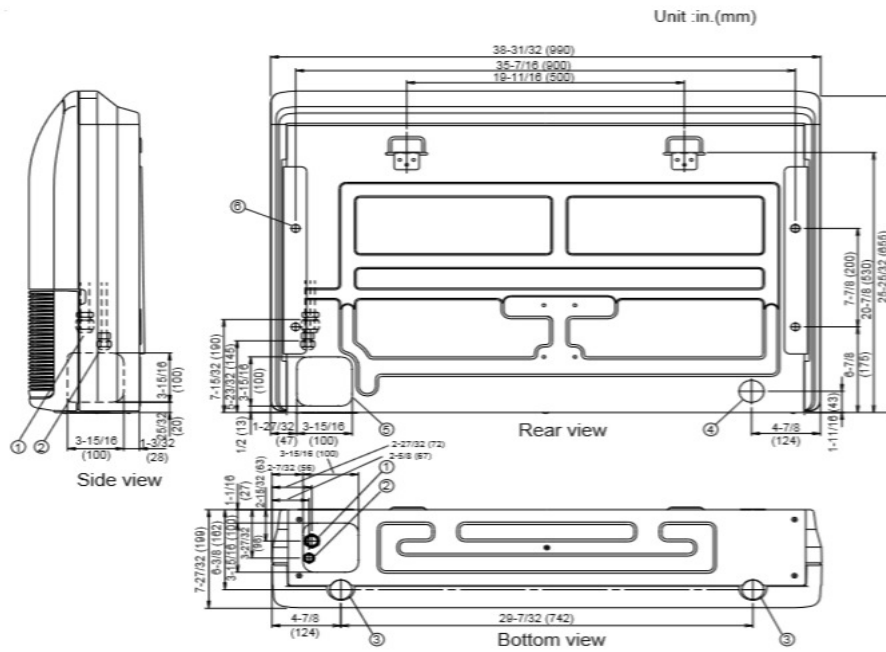
Note: Specifications are based on the following conditions:  
 Cooling: Indoor temperature of 80°F (26.7°C) DB/67°F (19.4°C) WB, and outdoor temperature of 95°F (35°C) DB/75°F (23.9°C) WB. Heating: Indoor temperature of 70°F (21.1°C) DB/60°F (15.6°C) WB, and outdoor temperature of 47°F (8.3°C) DB/43°F (6.1°C) WB. Pipe length: 25ft. (7.5m), Height difference: 0ft. (0m) (Outdoor unit - indoor unit).

Inverter Driven Heat Pump

18,000 BTU Single Zone Floor/Ceiling Mounted

DIMENSIONS

Units: In. (mm)



The Fujitsu logo is a worldwide trademark of Fujitsu General Limited. The Halcyon logo and name is a worldwide trademark of Fujitsu General Limited and is a registered trademark in Japan, the USA and other countries or areas. Copyright 2018 Fujitsu General America, Inc. Fujitsu's products are subject to continuous improvements. Fujitsu reserves the right to modify product design, specifications and information in this brochure without notice and without incurring any obligations.

Note: Specifications are based on the following conditions:  
 Cooling: Indoor temperature of 80°F (26.7°C) DB/67°F (19.4°C) WB, and outdoor temperature of 95°F (35°C) DB/75°F (23.9°C) WB. Heating: Indoor temperature of 70°F (21.1°C) DB/60°F (15.6°C) WB, and outdoor temperature of 47°F (8.3°C) DB/43°F (6.1°C) WB. Pipe length: 25ft. (7.5m), Height difference: 0ft. (0m) (Outdoor unit - indoor unit).