

**Inverter Driven Heat Pump**

**15,000 BTU Single Zone High SEER Wall Mounted System**

Job Name \_\_\_\_\_  
 Location \_\_\_\_\_  
 Engineer \_\_\_\_\_  
 Submitted To \_\_\_\_\_  
 Submitted By \_\_\_\_\_  
 Reference \_\_\_\_\_

Date \_\_\_\_\_  
 Approval \_\_\_\_\_  
 Construction \_\_\_\_\_  
 Unit No \_\_\_\_\_  
 Drawing No \_\_\_\_\_

**PRODUCT FEATURES**

- Auto Changeover
- Weekly & 24 hr. Timer
- Auto Louver: 4 way
- Minimum Heat Mode
- Built in WiFi
- Auto Restart
- Base Pan Heater
- Energy Saving Program(ESP)
- Wireless Remote control
- Outdoor Unit Low Noise Schedule



**MODEL NUMBERS**

Indoor Unit	ASU15RLS3Y
Outdoor Unit	AOU15RLS3H
System	15RLS3YH

**EFFICIENCIES**

SEER	25.3	
EER	13.9	
HSPF	13.4	
COP	kW/kW	4.59
	Btu/hW	15.70

**OUTDOOR TEMPERATURE OPERATION RANGE**

Cooling	*F(°C)	14 to 115 (-10 to 46)
Heating		-15 to 75 (-26 to 24)

**CAPACITIES**

Cooling	Rated	BTU/hW	14,500
	Min.-Max.		3100 - 18400
Heating	Rated		18,000
	Min.-Max.		3100 - 23900

**LINESET REQUIREMENTS**

Connection Method	Flare		
Liquid	in (mm)	Ø1/4 (Ø6.35)	
Gas		Ø1/2 (Ø12.7)	
Pre-Charge Length	ft (m)	49 (15)	
Minimum Length		10 (3)	
Maximum Length		66 (20)	
Max. Height Diff.		49 (15)	

**INDOOR DIMENSIONS & WEIGHT**

Net (H x W x D)	in	11 - 5/8 x 37 x 10 - 5/8
	mm	295 x 940 x 270
Gross (H x W x D)	in	14 - 3/8 x 40 - 15/16 x 14
	mm	365 x 1040 x 355
Net Weight	lb (kg)	31 (14.0)
Gross Weight		37 (17.0)

**OUTDOOR DIMENSIONS & WEIGHT**

Net (H x W x D)	in	24-1/2 x 31-1/8 x 11-7/16
	mm	620 x 790 x 290
Gross (H x W x D)	in	28 - 1/16 x 37-3/16 x 15 - 9/16
	mm	713 x 945 x 395
Net Weight	lb (kg)	88
Gross Weight		95

**Warranty Information**



7 Year Compressor, 5 Year Parts out-of-the-box Warranty



10 Year Compressor, 10 Year Parts Warranty when registered within 60 days of installation in a residence



12 Year Compressor, 12 Year Parts Warranty when registered within 60 days of installation in a residence, and installed by a Fujitsu Elite contractor

**ACCESSORIES**

UTY-TTRX	3rd Party Thermostat Converter
UTY-TWBXF1	Interface Kit
UTY-RNNUM	Wired Remote
UTY-RVNUM	Wired Remote w/backlight
UTY-RSNUM	Simple Remote
UTY-XWZXZ5	Dry Contact Wire Kit



This system combination is Energy Star qualified



+App available in Apple® App Store and Google® Play Store.



Indoor Unit ETL#: 3170288  
 Outdoor Unit ETL#: 91987



## SUBMITTAL 15RLS3YH

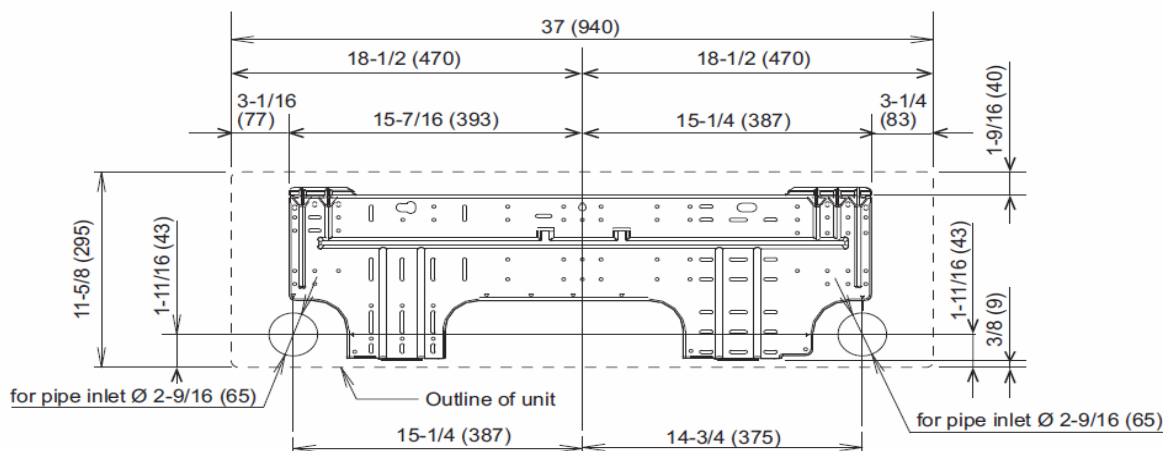


### Inverter Driven Heat Pump

### 15,000 BTU Single Zone High SEER Wall Mounted System

FAN DATA				ELECTRICAL SPECIFICATIONS					
Indoor Unit Airflow Rate	Cooling	High	CFM (m3/h)	547(930)		Voltage/Frequency/Phase		208/230V-60HZ	
		Medium		459(780)		Voltage Range		187-253V-60HZ	
		Low		371(630)		Current	Cooling	Rated	4.8
		Quiet		259(440)			Heating	Rated	5.2
	Heating	High	CFM (m3/h)	547(930)		Maximum Operating Current		Cooling	9.9
		Medium		459(780)		Heating		13.9	
		Low		371(630)		Starting Current		5.2	
		Quiet		294(500)		MCA		18.2	
Outdoor Unit Airflow Rate		Cooling	1,206 (2,050)		Maximum Circuit Breaker		20		
		Heating	1,082 (1,840)						
SOUND PRESSURE				OTHER					
Indoor Unit	Cooling	High	dB (A)	45		Moisture Removal		pints/h (L/h)	1.9(4)
		Medium		40		Energy Star		Yes	
		Low		34		Drain hose		Material	PP+LLDP
		Quiet		26		Operation Range	Cooling	°F (°C)	64 to 90 (18 to 32)
	Heating	High	dB (A)	45				%RH	80 or less
		Medium		39		Heating	°F (°C)	60 to 88 (16 to 30)	
		Low		33					
		Quiet		27					
Outdoor Unit		Cooling	49						
		Heating	50						
REFRIGERANT									
Type	R410A								
Charge	lb oz	3lb 1 oz							
	kg	1,400							
Oil Type	POE (RB68)								

### Wall Bracket Data:



The Fujitsu logo is a worldwide trademark of Fujitsu General Limited. The Halcyon logo and name is a worldwide trademark of Fujitsu General Limited and is a registered trademark in Japan, the USA and other countries or areas. Copyright 2018 Fujitsu General America, Inc. Fujitsu's products are subject to continuous improvements. Fujitsu reserves the right to modify product design, specifications and information in this brochure without notice and without incurring any obligations.

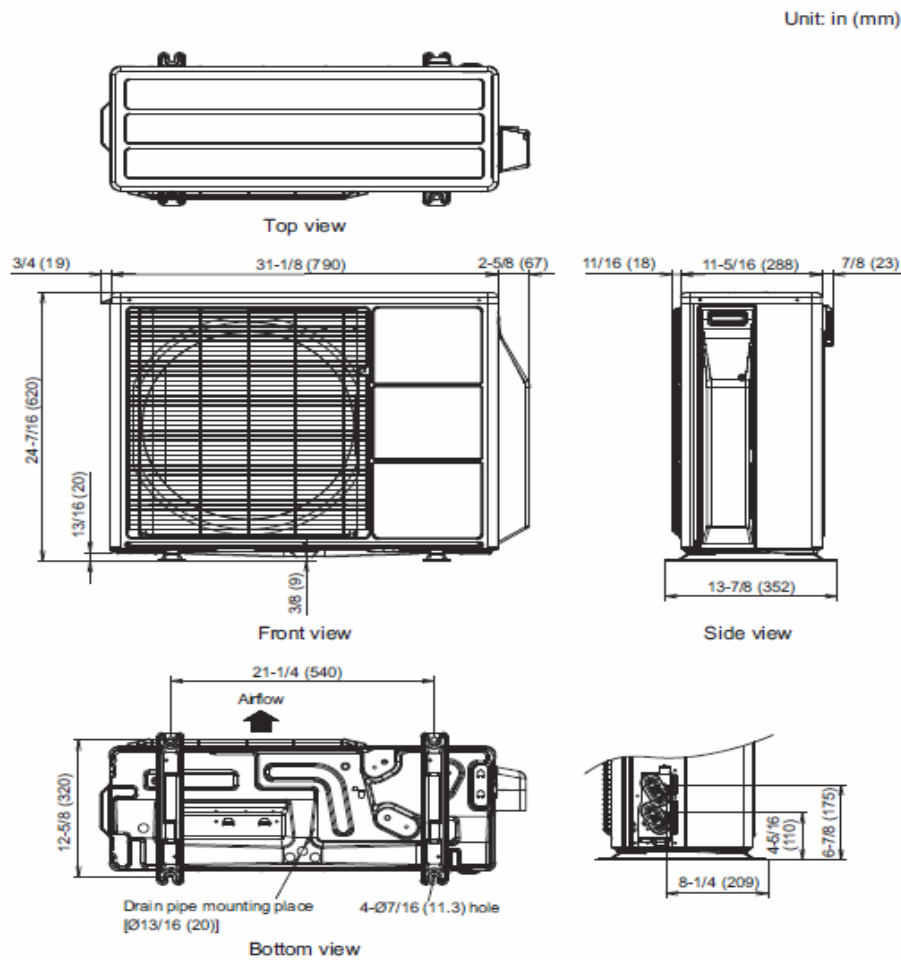
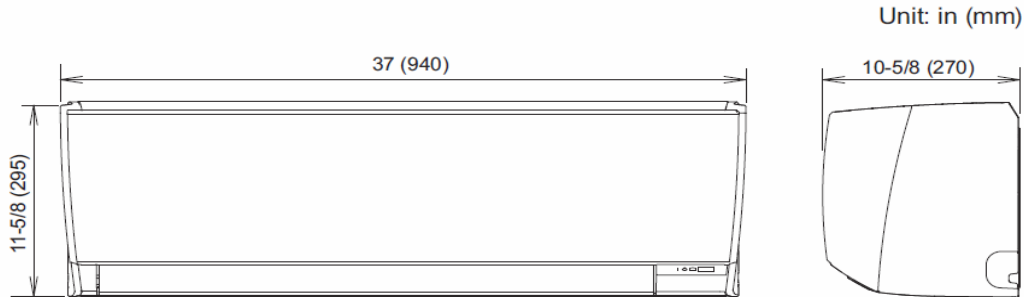
Note: Specifications are based on the following conditions:  
 Cooling: Indoor temperature of 80°F (26.7°C) DB/67°F (19.4°C) WB, and outdoor temperature of 95°F (35°C) DB/75°F (23.9°C) WB. Heating: Indoor temperature of 70°F (21.1°C) DB/60°F (15.6°C) WB, and outdoor temperature of 47°F (8.3°C) DB/43°F (6.1°C) WB. Pipe length: 25ft. (7.5m), Height difference: 0ft. (0m) (Outdoor unit - indoor unit).

Inverter Driven Heat Pump

15,000 BTU Single Zone High SEER Wall Mounted System

DIMENSIONS

Units: In. (mm)



The Fujitsu logo is a worldwide trademark of Fujitsu General Limited. The Halcyon logo and name is a worldwide trademark of Fujitsu General Limited and is a registered trademark in Japan, the USA and other countries or areas. Copyright 2018 Fujitsu General America, Inc. Fujitsu's products are subject to continuous improvements. Fujitsu reserves the right to modify product design, specifications and information in this brochure without notice and without incurring any obligations.

Note: Specifications are based on the following conditions:  
 Cooling: Indoor temperature of 80°F (26.7°C) DB/67°F (19.4°C) WB, and outdoor temperature of 95°F (35°C) DB/75°F (23.9°C) WB. Heating: Indoor temperature of 70°F (21.1°C) DB/60°F (15.6°C) WB, and outdoor temperature of 47°F (8.3°C) DB/43°F (6.1°C) WB. Pipe length: 25ft. (7.5m), Height difference: 0ft. (0m) (Outdoor unit - indoor unit).