

**Inverter Driven Heat Pump**

**15,000 BTU Single Zone Floor Mount**

Job Name \_\_\_\_\_  
 Location \_\_\_\_\_  
 Engineer \_\_\_\_\_  
 Submitted To \_\_\_\_\_  
 Submitted By \_\_\_\_\_  
 Reference \_\_\_\_\_

Date \_\_\_\_\_  
 Approval \_\_\_\_\_  
 Construction \_\_\_\_\_  
 Unit No \_\_\_\_\_  
 Drawing No \_\_\_\_\_

**PRODUCT FEATURES**

- Auto Changeover
- 24 hr. Timer
- Auto Louver
- Minimum Heat Mode
- Auto Restart
- Wireless Remote control
- Powerful Mode
- Floor Level Heating



Heating down to -15°F outdoor temperatures



**MODEL NUMBERS**

Indoor Unit	AGU15RLF
Outdoor Unit	AOU15RLFFH
System	15RLFFH

**EFFICIENCIES**

SEER	20.3	
EER	12.5	
HSPF	11.2	
COP	kW/kW	3.34
	Btu/hW	11.3

**OUTDOOR TEMPERATURE OPERATION RANGE**

Cooling	*F(°C)	14 to 115 (-10 to 46)
Heating		-15 to 75 (-26 to 24)

**CAPACITIES**

Cooling	Rated	BTU/hW	14,200
	Min.-Max.		3100 - 17700
Heating	Rated		18,000
	Min.-Max.		3100 - 20800

**LINESET REQUIREMENTS**

Connection Method		Flare
Liquid	in (mm)	Ø1/4 (Ø6.35)
Gas		Ø1/2 (12.70)
Pre-Charge Length	ft (m)	49 (15)
Minimum Length		10 (3)
Maximum Length		66 (20)
Max. Height Diff.		49 (15)

**INDOOR DIMENSIONS & WEIGHT**

Net (H x W x D)	in	23-5/8 x 29-1/8 x 7-7/8
	mm	600 x 740 x 200
Gross (H x W x D)	in	27-9/16 x 32-5/16 x 12-3/16
	mm	700 x 820 x 310
Net Weight	lb (kg)	31 (14)
Gross Weight		37 (17)

**OUTDOOR DIMENSIONS & WEIGHT**

Net (H x W x D)	in	24-7/16 x 31-1/8 x 11-7/16
	mm	620 x 790 x 290
Gross (H x W x D)	in	28-1/16 x 37-3/16 x 15-9/16
	mm	713 x 945 x 395
Net Weight	lb (kg)	88 (40)
Gross Weight		95 (43)

**Warranty Information**



7 Year Compressor, 5 Year Parts out-of-the-box Warranty



10 Year Compressor, 10 Year Parts Warranty when registered within 60 days of installation in a residence



12 Year Compressor, 12 Year Parts Warranty when registered within 60 days of installation in a residence, and installed by a Fujitsu Elite contractor

**ACCESSORIES**

UTY-TTRX	3rd Party Thermostat Converter
UTY-RNNUM	Wired Remote
UTY-RVNUM	Wired Remote w/backlight
UTY-RSNUM	Simple Remote
UTY-XWZXZ5	Dry Contact Wire Kit
FJ-IR-WIFI-1NA	Intesis IR WiFi module
FJ-RC-WIFI-1NA	Intesis Wired WiFi module



This system combination is Energy Star qualified



Indoor Unit ETL#: 3170288  
 Outdoor Unit ETL#: 91987



**SUBMITTAL 15RLFFH**



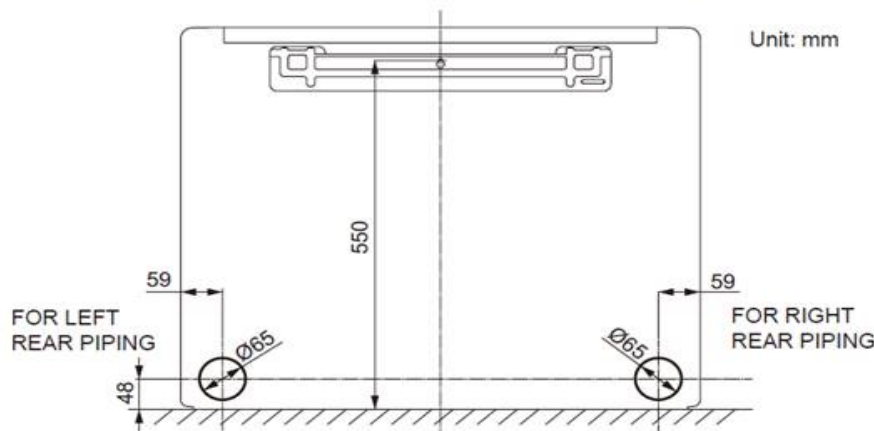
**Inverter Driven Heat Pump**

**15,000 BTU Single Zone Floor Mount**

FAN DATA				ELECTRICAL SPECIFICATIONS				
Indoor Unit Airflow Rate	Cooling	High	CFM (m3/h)	Voltage/Frequency/Phase			208 / 230 V ~ 60 Hz	
		Medium		Voltage Range			187 - 253 V	
		Low		Current	Cooling	Rated	A	5.1
		Quiet			Rated	7		
	Heating	High		Maximum Operating Current		Cooling		9.8
		Medium		Starting Current		Heating		13.8
		Low		MCA		7		
		Quiet		Maximum Circuit Breaker		14.8		
Outdoor Unit Airflow Rate	Cooling	1457 (2475)	Input Power				20	
Heating	1386 (2355)	Cooling	Rated	kW	1.13			
Min.–Max.	0.18 - 2.16							
Indoor Unit	Cooling	High	dB (A)	Heating	Rated	1.58		
		Medium			Min.–Max.	0.18 - 3.30		
		Low		Power Factor	Cooling	%	96	
		Quiet			Heating	%	98	
Outdoor Unit	Cooling	High	<b>OTHER</b>					
		Medium	Moisture Removal	pints/h (L/h)	2.1 (4.4)			
		Low	Energy Star	YES				
		Quiet	Drain hose	Material	PP + LLDPE			
Operation Range	Cooling	High	Size		in (mm)	Ø9/16(Ø13.8) (I.D.), Ø5/8 to Ø11/16(Ø15.8 to Ø16.7) (O.D.)		
		Medium	°F (°C)	%	%	64 to 90 (18 to 32)		
Low	°F (°C)	%				%	80 or less	
Quiet			Heating	60 to 88 (16 to 30)				
Outdoor Unit	Cooling	54	REFRIGERANT					
Heating	54	Type				R410A		
Charge	lb oz	2lbs. 12oz.		Oil Type			FREOL α68SZ	
	kg	1						

**BRACKET DATA**

**For RIGHT REAR or LEFT REAR piping**  
(The following figure is a front view of the indoor unit installation location.)



The Fujitsu logo is a worldwide trademark of Fujitsu General Limited. The Halcyon logo and name is a worldwide trademark of Fujitsu General Limited and is a registered trademark in Japan, the USA and other countries or areas. Copyright 2018 Fujitsu General America, Inc. Fujitsu's products are subject to continuous improvements. Fujitsu reserves the right to modify product design, specifications and information in this brochure without notice and without incurring any obligations.

Note: Specifications are based on the following conditions:  
Cooling: Indoor temperature of 80°F (26.7°C) DB/67°F (19.4°C) WB, and outdoor temperature of 95°F (35°C) DB/75°F (23.9°C) WB. Heating: Indoor temperature of 70°F (21.1°C) DB/60°F (15.6°C) WB, and outdoor temperature of 47°F (8.3°C) DB/43°F (6.1°C) WB. Pipe length: 25ft. (7.5m), Height difference: 0ft. (0m) (Outdoor unit - indoor unit).

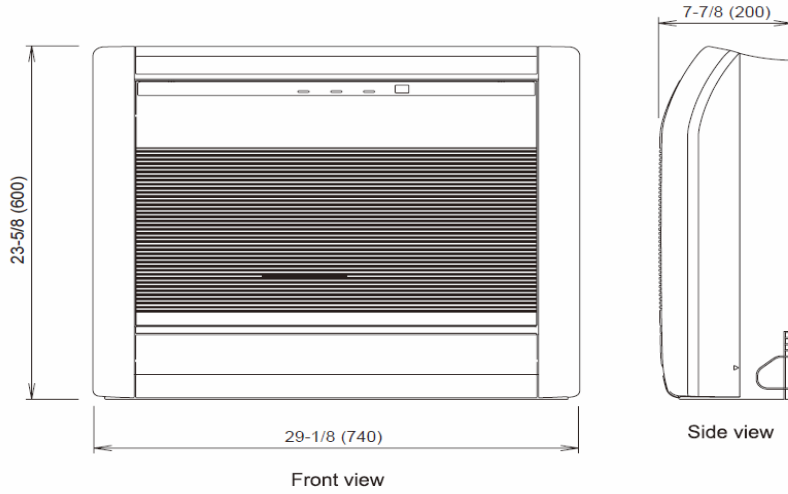
Inverter Driven Heat Pump

15,000 BTU Single Zone Floor Mount

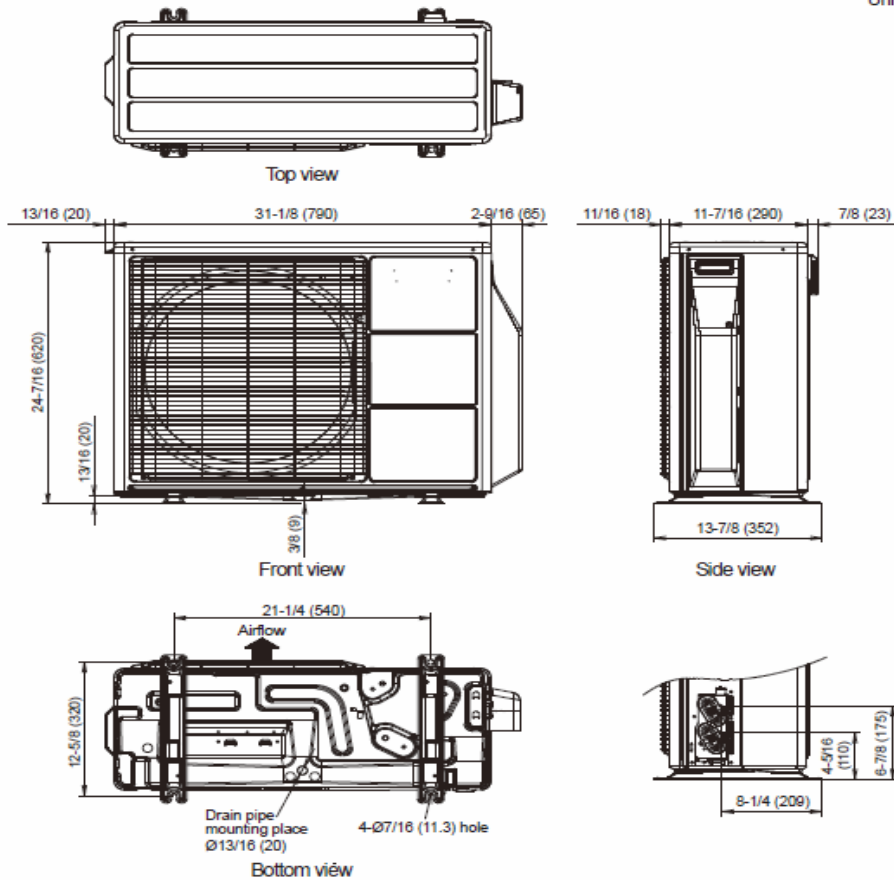
DIMENSIONS

Units: In. (mm)

Unit: in. (mm)



Unit: in. (mm)



The Fujitsu logo is a worldwide trademark of Fujitsu General Limited. The Halcyon logo and name is a worldwide trademark of Fujitsu General Limited and is a registered trademark in Japan, the USA and other countries or areas. Copyright 2018 Fujitsu General America, Inc. Fujitsu's products are subject to continuous improvements. Fujitsu reserves the right to modify product design, specifications and information in this brochure without notice and without incurring any obligations.

Note: Specifications are based on the following conditions:  
 Cooling: Indoor temperature of 80°F (26.7°C) DB/67°F (19.4°C) WB, and outdoor temperature of 95°F (35°C) DB/75°F (23.9°C) WB. Heating: Indoor temperature of 70°F (21.1°C) DB/60°F (15.6°C) WB, and outdoor temperature of 47°F (8.3°C) DB/43°F (6.1°C) WB. Pipe length: 25ft. (7.5m), Height difference: 0ft. (0m) (Outdoor unit - indoor unit).