

Inverter Driven Heat Pump

12,000 BTU Single Zone High SEER Wall Mounted System

Job Name _____
 Location _____
 Engineer _____
 Submitted To _____
 Submitted By _____
 Reference _____

Date _____
 Approval _____
 Construction _____
 Unit No _____
 Drawing No _____

PRODUCT FEATURES

- Auto Changeover
- Weekly & 24 hr. Timer
- Auto Louver: 4 way
- Minimum Heat Mode
- Built in WiFi
- Auto Restart
- Base Pan Heater
- Energy Saving Program(ESP)
- Wireless Remote control
- Outdoor Unit Low Noise Schedule



MODEL NUMBERS

Indoor Unit	ASU12RLS3Y
Outdoor Unit	AOU12RLS3H
System	12RLS3YH

EFFICIENCIES

SEER	29.3	
EER	15.2	
HSPF	14	
COP	kW/kW	4.64
	Btu/hW	15.80

OUTDOOR TEMPERATURE OPERATION RANGE

Cooling	*F(°C)	14 to 115 (-10 to 46)
Heating		-15 to 75 (-26 to 24)

CAPACITIES

Cooling	Rated	BTU/hW	12,000
	Min.-Max.		3100 - 13600
Heating	Rated		16,000
	Min.-Max.		3100 - 22100

LINESET REQUIREMENTS

Connection Method		Flare
Liquid	in (mm)	Ø1/4 (Ø6.35)
Gas		Ø3/8 (Ø9.52)
Pre-Charge Length	ft (m)	49 (15)
Minimum Length		10 (3)
Maximum Length		66 (20)
Max. Height Diff.		49 (15)

INDOOR DIMENSIONS & WEIGHT

Net (H x W x D)	in	11 - 5/8 x 37 x 10 - 5/8
	mm	295 x 940 x 270
Gross (H x W x D)	in	14 - 3/8 x 40 - 15/16 x 14
	mm	365 x 1040 x 355
Net Weight	lb (kg)	31 (14.0)
Gross Weight		37 (17.0)

OUTDOOR DIMENSIONS & WEIGHT

Net (H x W x D)	in	24-1/2 x 31-1/8 x 11-7/16
	mm	620 x 790 x 290
Gross (H x W x D)	in	28 - 1/16 x 37-3/16 x 15 - 9/16
	mm	713 x 945 x 395
Net Weight	lb (kg)	86
Gross Weight		95

Warranty Information



7 Year Compressor, 5 Year Parts out-of-the-box Warranty



10 Year Compressor, 10 Year Parts Warranty when registered within 60 days of installation in a residence



12 Year Compressor, 12 Year Parts Warranty when registered within 60 days of installation in a residence, and installed by a Fujitsu Elite contractor

ACCESSORIES

UTY-TTRX	3rd Party Thermostat Converter
UTY-TWBXF1	Interface Kit
UTY-RNNUM	Wired Remote
UTY-RVNUM	Wired Remote w/backlight
UTY-RSNUM	Simple Remote
UTY-XWZXZ5	Dry Contact Wire Kit



This system combination is Energy Star qualified



+App available in Apple® App Store and Google® Play Store.



Indoor Unit ETL#: 3170288
 Outdoor Unit ETL#: 91987



SUBMITTAL 12RLS3YH

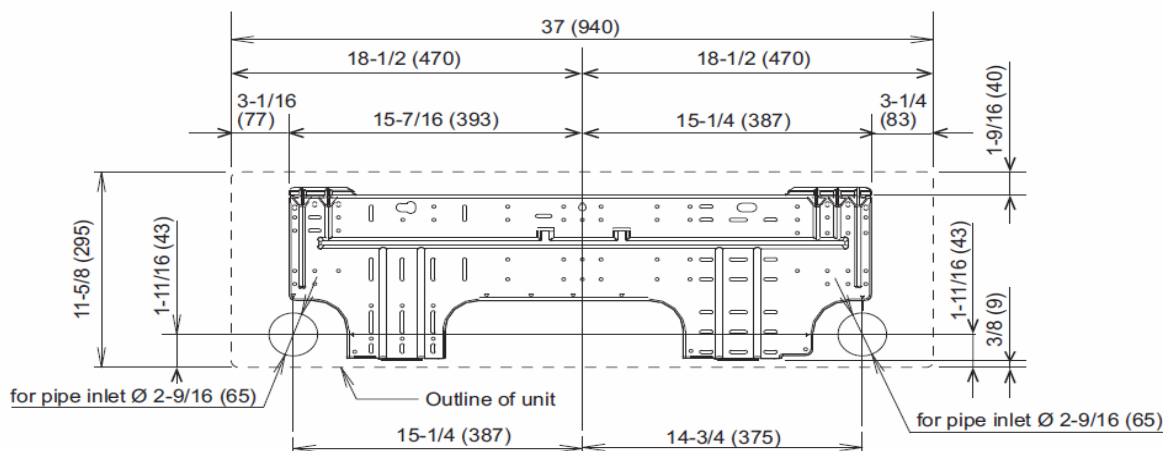


Inverter Driven Heat Pump

12,000 BTU Single Zone High SEER Wall Mounted System

FAN DATA				ELECTRICAL SPECIFICATIONS					
Indoor Unit Airflow Rate	Cooling	High	CFM (m3/h)	489(830)	Voltage/Frequency/Phase			208/230V-60HZ	
		Medium		400(680)	Voltage Range			187-253V-60HZ	
		Low		341(580)	Current	Cooling	Rated	A	3.8
		Quiet		224(380)		Heating	Rated		4.7
	Heating	High	489(830)	Maximum Operating Current		Cooling	9.4		
		Medium	400(680)			Heating	10.9		
		Low	341(580)	Starting Current			4.7		
		Quiet	224(380)	MCA			14.4		
Outdoor Unit Airflow Rate		Cooling		989 (1,680)	Maximum Circuit Breaker			15	
		Heating		1,082 (1,840)	Input Power	Cooling	Rated	kW	0.79
Indoor Unit	Cooling	High	dB (A)	42		Min.-Max.			1.01
		Medium		37	Rated				
		Low		32	Min.-Max.		1.94		
		Quiet		23					
	Heating	High	41	Power Factor	Cooling		%	90	
		Medium	35						
		Low	31						
		Quiet	23						
Outdoor Unit		Cooling		43	OTHER				
		Heating		47	Moisture Removal		pints/h (L/h)	1.3(2.7)	
REFRIGERANT				Energy Star				Yes	
Type				Drain hose		Material		PP+LLDP	
Charge	lb oz			21b 14oz	Size	in (mm)	Ø 9/16 (Ø 13.8) (I.D.) Ø 5/8 to Ø 11/16 (Ø 15.8 to Ø 16.7) (O.D.)		
	kg			1,300			Operation Range	Cooling	°F (°C)
Oil Type				POE (RB68)				%RH	80 or less
							Heating	°F (°C)	60 to 88 (16 to 30)

Wall Bracket Data:



The Fujitsu logo is a worldwide trademark of Fujitsu General Limited. The Halcyon logo and name is a worldwide trademark of Fujitsu General Limited and is a registered trademark in Japan, the USA and other countries or areas. Copyright 2018 Fujitsu General America, Inc. Fujitsu's products are subject to continuous improvements. Fujitsu reserves the right to modify product design, specifications and information in this brochure without notice and without incurring any obligations.

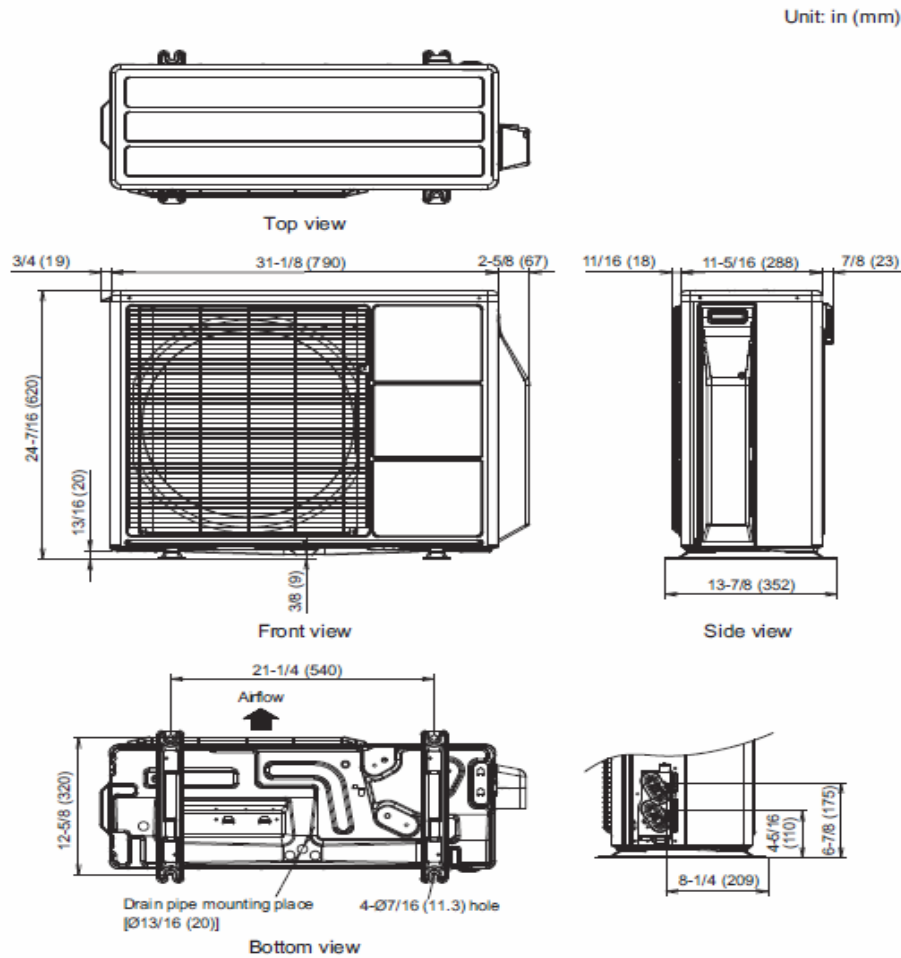
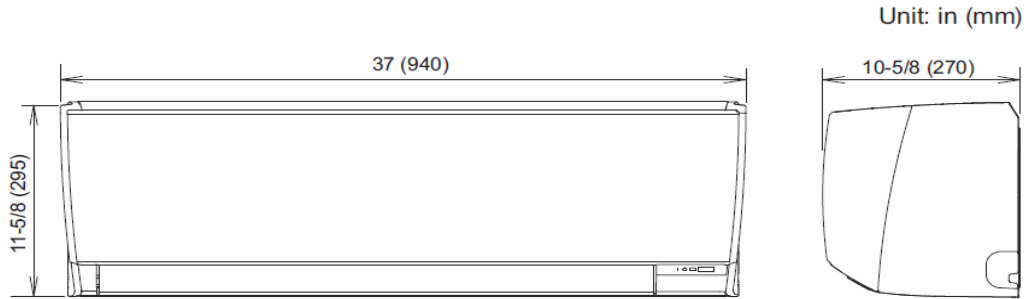
Note: Specifications are based on the following conditions:
 Cooling: Indoor temperature of 80°F (26.7°C) DB/67°F (19.4°C) WB, and outdoor temperature of 95°F (35°C) DB/75°F (23.9°C) WB. Heating: Indoor temperature of 70°F (21.1°C) DB/60°F (15.6°C) WB, and outdoor temperature of 47°F (8.3°C) DB/43°F (6.1°C) WB. Pipe length: 25ft. (7.5m), Height difference: 0ft. (0m) (Outdoor unit - indoor unit).

Inverter Driven Heat Pump

12,000 BTU Single Zone High SEER Wall Mounted System

DIMENSIONS

Units: In. (mm)



The Fujitsu logo is a worldwide trademark of Fujitsu General Limited. The Halcyon logo and name is a worldwide trademark of Fujitsu General Limited and is a registered trademark in Japan, the USA and other countries or areas. Copyright 2018 Fujitsu General America, Inc. Fujitsu's products are subject to continuous improvements. Fujitsu reserves the right to modify product design, specifications and information in this brochure without notice and without incurring any obligations.

Note: Specifications are based on the following conditions:
 Cooling: Indoor temperature of 80°F (26.7°C) DB/67°F (19.4°C) WB, and outdoor temperature of 95°F (35°C) DB/75°F (23.9°C) WB. Heating: Indoor temperature of 70°F (21.1°C) DB/60°F (15.6°C) WB, and outdoor temperature of 47°F (8.3°C) DB/43°F (6.1°C) WB. Pipe length: 25ft. (7.5m), Height difference: 0ft. (0m) (Outdoor unit - indoor unit).