

Inverter Driven Heat Pump

12,000 BTU Single Zone Wall Mounted System

Job Name _____
 Location _____
 Engineer _____
 Submitted To _____
 Submitted By _____
 Reference _____

Date _____
 Approval _____
 Construction _____
 Unit No _____
 Drawing No _____

PRODUCT FEATURES

- Wireless remote controller
- Automatic airflow adjustment
- Auto/Cool/Dry/Fan/Heat/modes
- 24 Hr. timer
- Powerful mode
- Auto changeover
- Cold prevention



MODEL NUMBERS

Indoor Unit	ASU12RL2
Outdoor Unit	AOU12RL2
System	12RL2

EFFICIENCIES

SEER	16.0	
EER	10.0	
HSPF	9.0	
COP	kW/kW	3.39
	Btu/hW	11.6

OUTDOOR TEMPERATURE OPERATION RANGE

Cooling	*F(*C)	15 to 115 (-10 to 46)
Heating		15 to 75 (-10 to 24)

CAPACITIES

Cooling	Rated	BTU/hW	12,000
	Min.-Max.		3100 - 12500
Heating	Rated		14,000
	Min.-Max.		3100 - 16000

LINESET REQUIREMENTS

Connection Method	Flare		
Liquid	in (mm)	Ø1/4 in (Ø6.35)	
Gas		Ø3/8 in (Ø9.52)	
Pre-Charge Length		49 (15)	
Minimum Length	ft (m)	10 (3)	
Maximum Length		66 (20)	
Max. Height Diff.		49 (15)	

INDOOR DIMENSIONS & WEIGHT

Net (H x W x D)	in	10 - 5/16 x 32 - 9/32 x 8 - 1/8
	mm	262 x 820 x 206
Gross (H x W x D)	in	10 - 11/32 x 34 - 1/4 x 12 - 29/32
	mm	263 x 870 x 328
Net Weight	lb (kg)	16 (7)
Gross Weight		20 (9)

OUTDOOR DIMENSIONS & WEIGHT

Net (H x W x D)	in	21-1/4 x 26 x 11-11/32
	mm	(540x660x290)
Gross (H x W x D)	in	24x31x16
	mm	(610x787x406)
Net Weight		69
Gross Weight	lb (kg)	72

Warranty Information



7 Year Compressor, 5 Year Parts out-of-the-box Warranty



10 Year Compressor, 10 Year Parts Warranty when registered within 60 days of installation in a residence



12 Year Compressor, 12 Year Parts Warranty when registered within 60 days of installation in a residence, and installed by a Fujitsu Elite contractor

ACCESSORIES

FJ-IR-WIFI-1NA	Intesis WiFi IR Module
----------------	------------------------



Indoor Unit ETL#: 3170288
 Outdoor Unit ETL#: 91987

Due to continuous product improvements, specifications are subject to change without notice. Please log in to the Fujitsu Portal for the most up-to-date documentation <https://portal.fujitsugeneral.com>

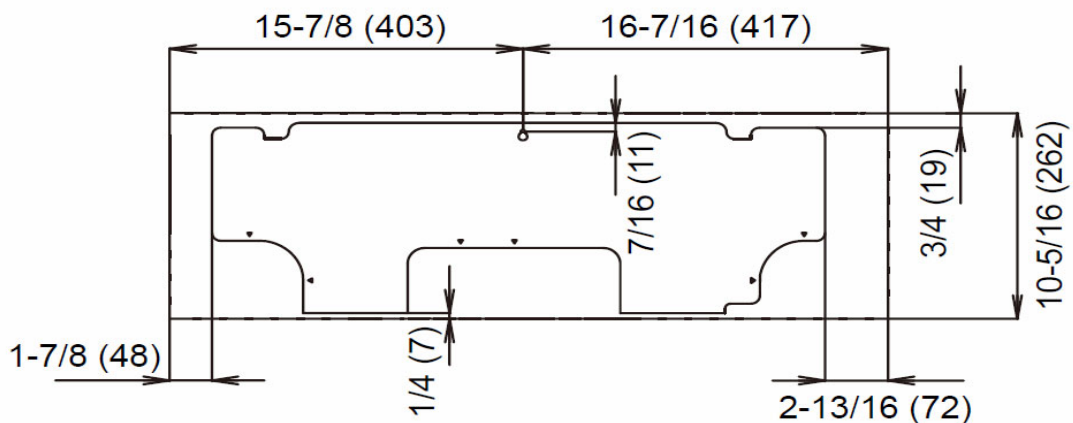
Inverter Driven Heat Pump

12,000 BTU Single Zone Wall Mounted System

FAN DATA			
Indoor Unit Airflow Rate	Cooling	High	424 (720)
		Medium	353 (600)
		Low	250 (425)
		Quiet	191 (325)
	Heating	High	436 (740)
		Medium	353 (600)
		Low	265 (450)
		Quiet	191 (325)
Outdoor Unit Airflow Rate	Cooling	1078 (1830)	
	Heating	942 (1600)	
SOUND PRESSURE			
Indoor Unit	Cooling	High	43
		Medium	38
		Low	33
		Quiet	23
	Heating	High	43
		Medium	38
		Low	33
		Quiet	23
Outdoor Unit	Cooling	51	
	Heating	51	
REFRIGERANT			
Type	R410A		
Charge	lb oz	7 lb 12oz	
	g	800	
Oil Type	POE (RB68)		

ELECTRICAL SPECIFICATIONS			
Voltage/Frequency/Phase			115V~ 60Hz
Voltage Range			103.5 - 126.5V
Current	Cooling	Rated	10.9
	Heating	Rated	11
Maximum Operating Current	Cooling	A	13
	Heating	A	15
Starting Current			11
MCA			15
Maximum Circuit Breaker			20
Input Power	Cooling	Rated Min.-Max.	1.2
		Rated Min.-Max.	0.23 - 1.44
Power Factor	Heating	Rated Min.-Max.	1.21
		Rated Min.-Max.	0.21 - 1.66
Power Factor	Cooling	%	96
	Heating	%	96
OTHER			
Moisture Removal	pints/h (L/h)		3.8(1.8)
Energy Star	No		
Drain hose	Material	PP+LLDPE	
Operation Range	Cooling	Size	in (mm) Ø 1 (25) (I.D.), Ø 1-1/16 (26.6)
		°F (°C)	64 to 90 (18 to 32)
	Heating	%RH	80 or less
		°F (°C)	60 to 88 (16 to 30)

Wall Bracket Data:

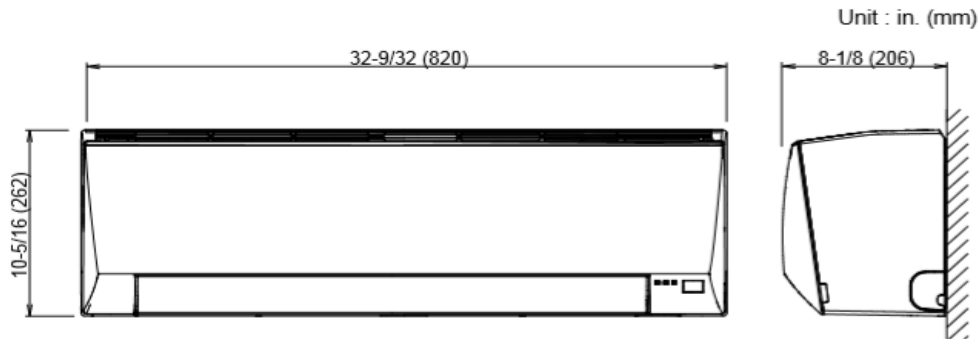


The Fujitsu logo is a worldwide trademark of Fujitsu General Limited. The Halcyon logo and name is a worldwide trademark of Fujitsu General Limited and is a registered trademark in Japan, the USA and other countries or areas. Copyright 2018 Fujitsu General America, Inc. Fujitsu's products are subject to continuous improvements. Fujitsu reserves the right to modify product design, specifications and information in this brochure without notice and without incurring any obligations.

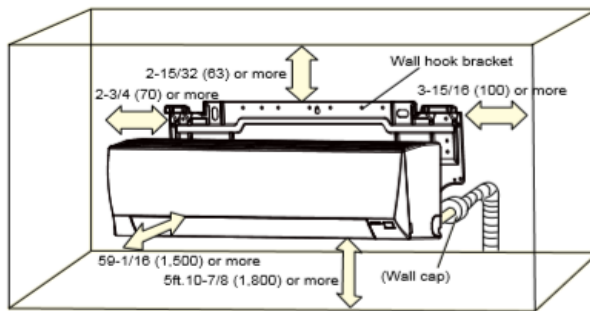
Note: Specifications are based on the following conditions:
 Cooling: Indoor temperature of 80°F (26.7°C) DB/67°F (19.4°C) WB, and outdoor temperature of 95°F (35°C) DB/75°F (23.9°C) WB. Heating: Indoor temperature of 70°F (21.1°C) DB/60°F (15.6°C) WB, and outdoor temperature of 47°F (8.3°C) DB/43°F (6.1°C) WB. Pipe length: 25ft. (7.5m), Height difference: 0ft. (0m) (Outdoor unit - indoor unit).

DIMENSIONS

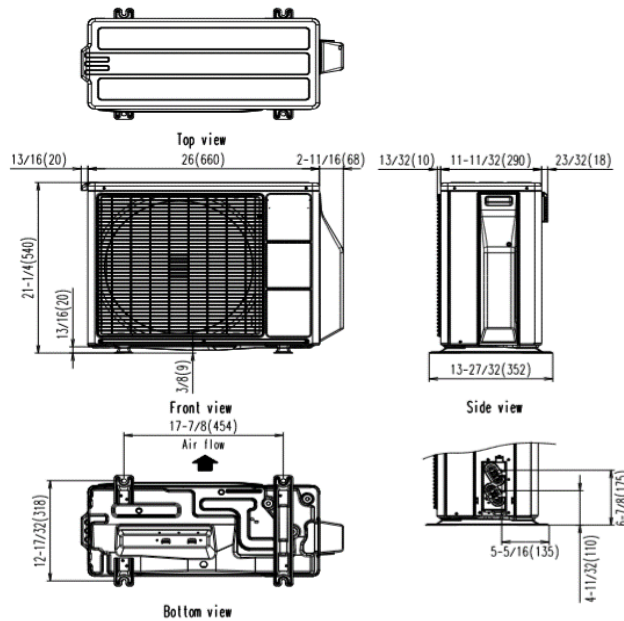
Units: In. (mm)



■ INSTALLATION PLACE



Unit : in.(mm)



The Fujitsu logo is a worldwide trademark of Fujitsu General Limited. The Halcyon logo and name is a worldwide trademark of Fujitsu General Limited and is a registered trademark in Japan, the USA and other countries or areas. Copyright 2018 Fujitsu General America, Inc. Fujitsu's products are subject to continuous improvements. Fujitsu reserves the right to modify product design, specifications and information in this brochure without notice and without incurring any obligations.

Note: Specifications are based on the following conditions:

Cooling: Indoor temperature of 80°F (26.7°C) DB/67°F (19.4°C) WB, and outdoor temperature of 95°F (35°C) DB/75°F (23.9°C) WB. Heating: Indoor temperature of 70°F (21.1°C) DB/60°F (15.6°C) WB, and outdoor temperature of 47°F (8.3°C) DB/43°F (6.1°C) WB. Pipe length: 25ft. (7.5m), Height difference: 0ft. (0m) (Outdoor unit - indoor unit).