

**Submittal Data: 9RLS2H
Inverter Driven Heat Pump**

9,000 BTU Wall Mount

Job Name: _____

Date: _____

Location: _____

Approval: _____

Engineer: _____

Construction: _____

Submitted to: _____

Unit #: _____

Submitted by: _____

Drawing #: _____

Reference: _____

General Features

- Wired or wireless remote
- Energy saving program
- Sleep timer
- 24-hour timer
- Weekly timer
- Dry mode
- Powerful mode
- High performance heating
- Base pan heater
- Standard Warranty: 5 years parts, 7 years compressor. Applies to systems purchased before June 1st 2015*
- Extended Warranty: 10 years parts, 10 years compressor. Systems that have been installed on or after June 1st 2015 by licensed contractors and the online Product Registration has been submitted.**
- Elite Contractor Extended Warranty: 12 years parts, 12 years compressor. Systems that have been installed on or after June 1st 2015 by contractors who have met requirements and have been approved for elite contractor status plus, the online Product Registration has been submitted.***

Model Information

Condenser..... AOU9RLS2H
Evaporator..... ASU9RLS2

Electrical
Available Voltage Range..... 208/230V AC 1ph-60Hz
Minimum Circuit Ampacity..... 14.5 A
Max Fuse Size..... 15A
Max Starting Current..... 3.7 A

Input Power

Cooling..... 0.56 kW
Heating..... 0.80 kW

Running Current

Cooling..... 2.7 A
Heating..... 3.7 A

Capacity

Nominal Cooling..... 9,000 Btu/h
Min-Max Cooling..... 3,100-12,000 Btu/h
Nominal Heating..... 12,000 Btu/h
Min-Max Heating..... 3,100-22,000 Btu/h

Compressor

..... Rotary (inv x1)
Motor Output..... 850 W
Refrigerant..... R410a
Charge..... 2 lbs. 10 oz.
Oil..... FREOL a68SZ

Fan Motor

(Condenser) Type: DC Propeller x1
(Condenser) Motor Output..... 115 W
(Evaporator) Type: DC..... Cross flow fan x1
(Evaporator) Motor Output..... 29 W

Heat Exchanger (Condenser (C) Evaporator (E))

Dimensions (H x W x D)
Condenser..... 24-1/2 x 31-3/32 x 11-11/32 in. (620x790x290 mm)
Evaporator..... Main 12-19/32 x 27-5/32 x 25/32 in. (320x690x20 mm)
Sub 3-5/16 x 27-5/32 x 17/32 in. (84x690x13.3 mm)

Fin Pitch..... (C) 20 FPI (E) Main 23 FPI Sub 18 FPI
Rows x Stages..... (C) 2 x 28 (E) Main 2 x 20 Sub 1 x 4
Pipe Type (Material)..... (C) Copper (E) Copper
Fin Type (Material)..... (C) Aluminum (E) Aluminum

Note: Specifications are based on the following conditions:
Cooling: Indoor temperature of 80°F (26.7°C) DB/67°F (19.44°C) WB, and outdoor temperature of 95°F (35°C) DB/75°F (23.9°C) WB.
Heating: Indoor temperature of 70°F (21.1°C) DB/59°F (15.°C) WB, and outdoor temperature of 47°F (8.33°C) DB/43°F (6.11°C) WB.
Pipe length: 24ft. (7.5m), Height difference: 0ft. (0m) (Outdoor unit – indoor unit) (*Standard warranty**10 year warranty***12 year warranty)



Operation Temperature Range

Cooling..... 14°F - 115°F (-10°C - 46°C)
Heating..... -15°F - 75°F (-26°C - 24°C)

Efficiency

SEER..... 27.2
EER (cooling)..... 4.71 kW/kW
COP (heating)..... 4.40 kW/kW
HSPF (heating)..... 8.8 Btu/hW

Enclosure (Condenser)

Material..... Painted galvanized steel
Color..... Beige (10 YR 7.5/1.0 NN)

Sound Pressure Level

Condenser..... 49 dB(A)
Evaporator..... 43 dB(A)

Dimensions

H x W x D
Condenser (mm)..... 24-1/2 x 31-3/32 x 11-11/32 (620x790x290)
Evaporator in. (mm)..... 11- 3/32 x 34-1/4 x 7-9/32 (282x870x185)

Connection Pipe

Liquid..... 1/4" / 6.35 mm Flare
Gas..... 3/8" / 9.52 mm Flare
Method (Liquid/Gas)..... Brazing
Max Length (Pre-charge)..... 66 ft. (20 m) / (49 ft. {15 m})
Max Height Difference..... 49 ft. (15 m)

Weight

Condenser..... 86 lbs. (39 kg)
Evaporator..... 21 lbs. (9.5 kg)

Accessories

UTY-RVNUM^..... Wired remote controller (backlit, shows room temp.)
UTY-RNNUM^..... Wired remote controller
UTY-RSNUM^..... Wired remote controller (simple)
UTY-TWBXF1..... Interface kit
UTY-XWZXZ5..... Dry contact wire kit

Intertek®ETL Number

AOU9RLS2H..... 91986
ASU9RLS2..... 91986

^1 Requires interface kit # UTY-TWBXF1 in order to connect these devices to them.

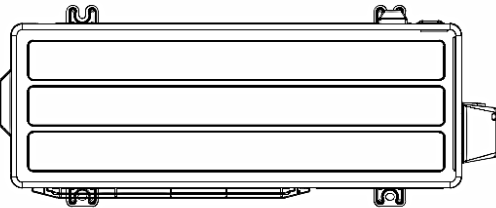
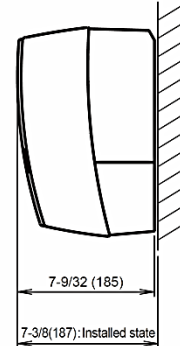
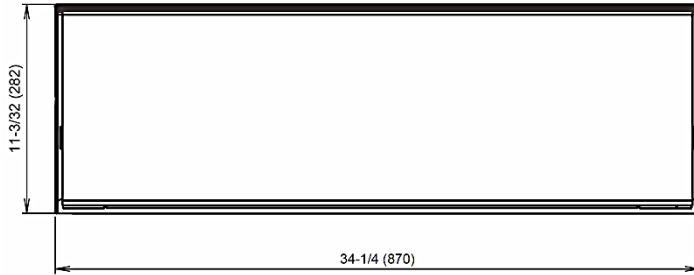
Fujitsu General America, Inc.

353 Route 46 West
Fairfield, NJ 07004
Toll Free: 1-888-888-3424
Fax: (973) 836-0447
www.fujitsugeneral.com

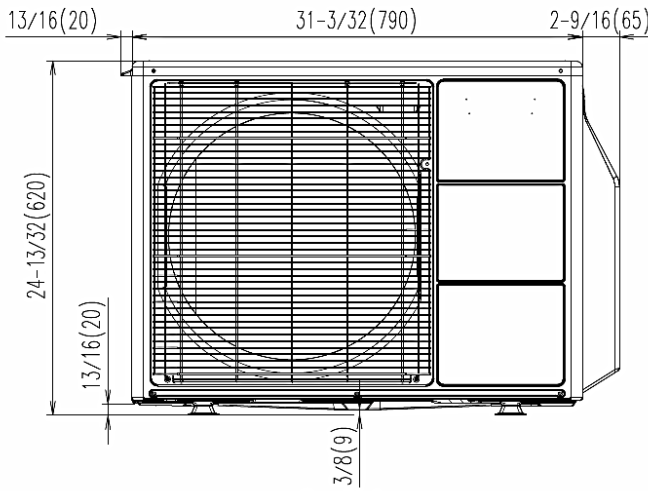


Dimensions: 9RLS2H

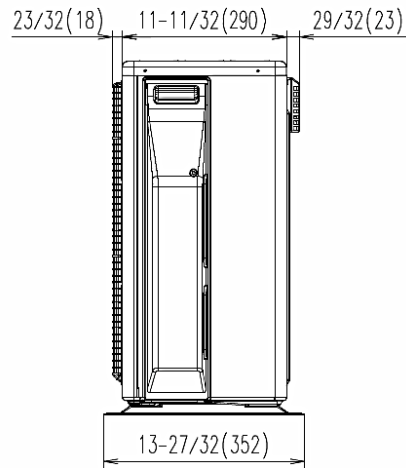
[Unit: in. (mm)]



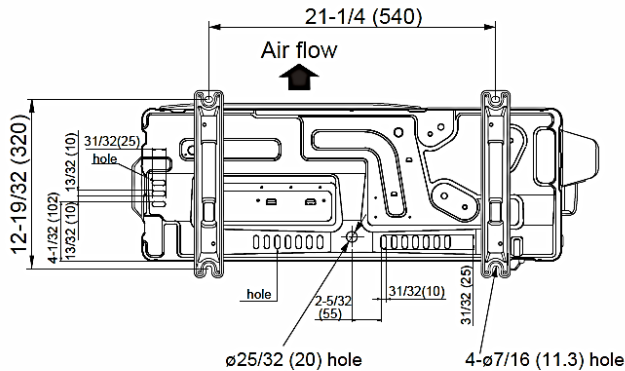
Top view



Front view



Side view



Bottom view

