

**Submittal Data:18RCLX
Inverter Driven Heat Pump**

18,000 BTU Ceiling Cassette

Job Name: _____

Date: _____

Location: _____

Approval: _____

Engineer: _____

Construction: _____

Submitted to: _____

Unit #: _____

Submitted by: _____

Drawing #: _____

Reference: _____

General Features

- Refrigerant Type R410A.
- Wired remote controllers
- 4-way air distribution
- Pump Down Operation
- Group control
- 2- Years Parts, 6-Years Compressor Warranty (See Warranty Statement for details)
- 24 hr. Timer

Model Information

Condenser..... AOU18RLX
Cassette..... AUU18RCLX

Electrical..... 208/230V AC 1ph-60Hz
Available Voltage Range..... 187/253 +/- 10%
Max Fuse Size..... 20 A
Max Starting Current..... 8.4 A

Input Power

Cooling..... 1.61 kW
Heating..... 2.05 kW

Running Current

Cooling..... 7.0 A
Heating..... 8.9 A

Capacity

Nominal Cooling..... 17,800 Btu/h
Rated / Max Cooling..... 17,800 / 21,500 Btu/h
Nominal Heating..... 21,000 Btu/h
Rated / Max Heating..... 21,500 / 25,600 Btu/h

Compressor..... DC Twin Rotary (Inverter)

Motor Output..... 1,300 W
Refrigerant..... R410a
Charge..... 4 lbs. 3-1/32 oz.
Oil..... POE

Fan Motor

(Condenser) Type: DC Propeller x1
(Condenser) Motor Output..... 100 W
(Cassette) Type: DC..... Turbo x2
(Cassette) Motor Output..... 42 W
Thermal Protection

Condenser..... 212°F +27 -18
Cassette..... 302±9°F

Heat Exchanger

Condenser
(H x W x D) in. (mm)..... 31-13/32 x 35-7/16 x 1-7/16 (798x900x36.38)
Fin Pitch..... 20 FPI
Rows x Stages..... 2 x 38
Pipe Type (Material)..... Copper
Fin Type (Material)..... Aluminum



Operation Temperature Range

Cooling..... 0°F - 115°F (-18°C - 46°C)
Heating..... 14°F - 75°F (-10°C - 24°C)

Efficiency

SEER..... 16.0
HSPF (heating)..... 8.5 Btu/hW

Enclosure

(Condenser) Material..... Steel
(Condenser) Color..... Beige (approximate color or Munsell 10 YR 7.5/1.0)
(Cassette) Material..... Polystyrene
(Cassette) Color..... White (5Y9/0.5NN)

Sound Pressure Level

Condenser..... 51 dB(A)
Cassette..... 43 dB(A)

Dimensions

H x W x D
Condenser in. (mm)..... 32-11/16 x 35-7/16 x 13 (830x900x330)
Cassette in. (mm)..... 9-11/16 x 32-11/16 x 32-11/16 (246x830x830)

Connection Pipe

Liquid..... 1/4"
Gas..... 1/2"
Method (Liquid/Gas)..... Brazing
Pre-charge..... 49 ft. (15 m)
Minimum Length..... 16 ft. (5 m)
Max Length..... 164 ft. (50m)
Max Height Difference..... 66 ft. (20m)
Internal Drain Pump Lift..... 31"

Weight

Condenser..... 141 lbs. (64 kg)
Cassette..... 75 lbs. (34 kg)

Accessories

Wired Remote Controller..... UTY-RNBYU

Safety Devices

(Condenser) Current Fuse on Main PCB..... 3.15A 250V & 5 A 250V
Compressor Protection (Thermal protector)..... off: 257°F on: 176°F
High Pressure Protection..... off: 609±15psi on: 464±22psi
(Evaporator) Current Fuse on Main PCB..... 3.15A 250V

Intertek®ETL Number

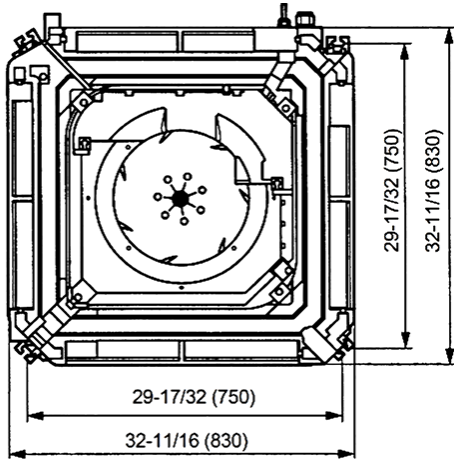
AOU18RLX..... 91987
AUU18RCLX..... 91987



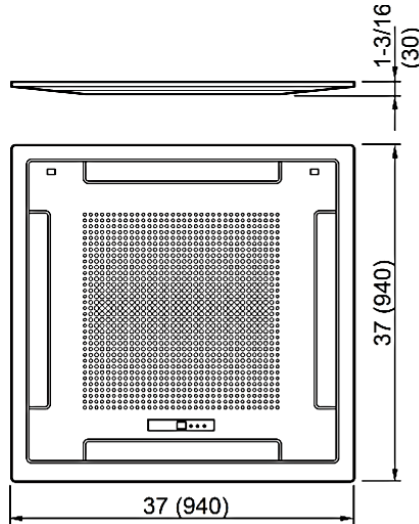
Note: Specifications are based on the following conditions.
Cooling: Indoor temperature of 80°F (26.7°C) DB/67°F (19.4°C) WB, and outdoor temperature of 95°F (35°C) DB/75°F (23.9°C) WB.
Heating: Indoor temperature of 70°F (21.1°C) DB/59°F (15°C) WB, and outdoor temperature of 47°F (8.33°C) DB/43°F (6.11°C) WB.
Pipe length: 24ft. 7in. (7.5m). Height difference: 0ft. (0m) (Outdoor unit - indoor unit)

Dimensions:18RCLX

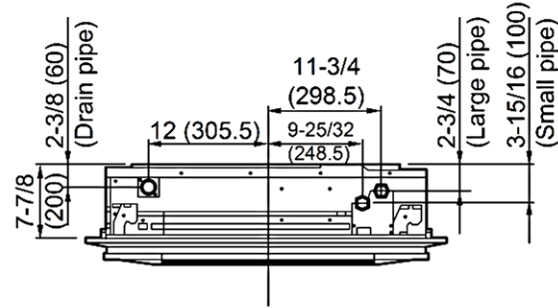
[Unit: in. (mm)]



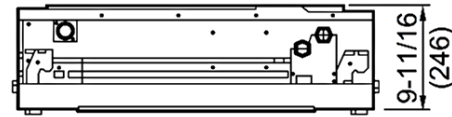
Bottom view



Bottom view (Panel)

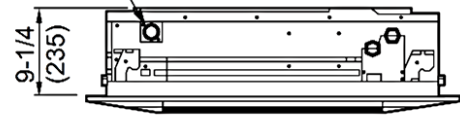


Side view (Slender setting)



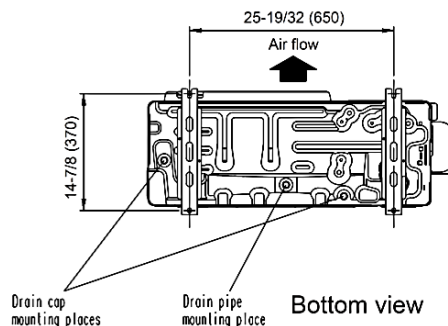
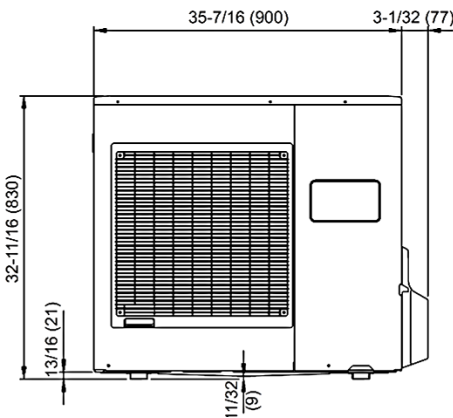
Side view

Drain inside Dia. ϕ 32mm
outside Dia. ϕ 37mm



Side view (Standard setting)

Top view



Bottom view

