

**Submittal Data: 15RLS2  
Inverter Driven Heat Pump**

**15,000 BTU Wall Mount**

Job Name: \_\_\_\_\_

Date: \_\_\_\_\_

Location: \_\_\_\_\_

Approval: \_\_\_\_\_

Engineer: \_\_\_\_\_

Construction: \_\_\_\_\_

Submitted to: \_\_\_\_\_

Unit #: \_\_\_\_\_

Submitted by: \_\_\_\_\_

Drawing #: \_\_\_\_\_

Reference: \_\_\_\_\_

**General Features**

- Wired or wireless remote
- Energy saving program
- High performance heating
- Sleep timer
- 24-hour timer
- Weekly timer
- Dry mode
- Powerful mode
- Standard Warranty: 5 years parts, 7 years compressor. Applies to systems purchased before June 1<sup>st</sup> 2015\*
- Extended Warranty: 10 years parts, 10 years compressor. Systems that have been installed on or after June 1<sup>st</sup> 2015 by licensed contractors and the online Product Registration has been submitted.\*\*
- Elite Contractor Extended Warranty: 12 years parts, 12 years compressor. Systems that have been installed on or after June 1<sup>st</sup> 2015 by contractors who have met requirements and have been approved for elite contractor status plus, the online Product Registration has been submitted.\*\*\*

**Model Information**

Condenser..... AOU15RLS2  
Evaporator..... ASU15RLS2

**Electrical**..... 208/230V AC 1ph-60Hz  
Available Voltage Range..... 208/230 +/- 10%  
Max Fuse Size..... 20A  
Max Starting Current..... 6.1 A

**Input Power**

Cooling..... 1.21 kW  
Heating..... 1.35 kW

**Running Current**

Cooling..... 5.5 A  
Heating..... 6.1 A

**Capacity**

Nominal Cooling..... 15,000 Btu  
Min-Max Cooling..... 3,100-18,400 Btu/h  
Nominal Heating..... 18,000 Btu/h  
Min-Max Heating..... 3,100-23,900 Btu

**Compressor**..... Rotary (inv x1)

Motor Output..... 1,000 W  
Refrigerant..... R410a  
Charge..... 2 lbs. 12 oz.  
Oil..... FREOL a68SZ

**Fan Motor**

(Condenser) Type: DC ..... Propeller x 1  
(Condenser) Motor Output..... 115 W  
(Evaporator) Type: DC..... Cross flow fan x1  
(Evaporator) Motor Output..... 29 W

**Heat Exchanger** { Condenser (C) Evaporator (E) }

Dimensions (H x W x D)  
Condenser..... 23-5/32 x 34-11/16 x 1-7/16 in. (588x881x36.4 mm)  
Evaporator.... Main 12-19/32 x 27-5/32 x 25/32 in. (320x690x20) Sub 3-5/16 x 27-5/32 x 17/32 in. (84x690x13.3 mm)  
Fin Pitch..... (C) 20 FPI / (E) Main 23 FPI Sub 18 FPI  
Rows x Stages..... (C) 2 x 28 / (E) Main 2 x 20 Sub 1 x 4  
Pipe Type (Material)..... Copper (C) Copper (E)  
Fin Type (Material)..... Aluminum (C) Aluminum (E)



**Operation Temperature Range**

Cooling..... 14°F - 115°F (-10°C - 46°C)  
Heating..... -5°F - 75°F (-21°C - 24°C)

**Efficiency**

SEER..... 21.5  
EER (cooling)..... 3.51 kW/kW  
COP (heating)..... 3.91 kW/kW  
HSPF (heating)..... 12.0 Btu/h/W

**Enclosure** (condenser)

Material..... Painted galvanized steel  
Color..... Beige (10 YR 7.5/1.0 NN)

**Sound Pressure Level**

Condenser..... 51 dB(A)  
Evaporator..... 45 dB(A)

**Dimensions**

H x W x D  
Condenser in. (mm)..... 24-1/2 x 31-3/32 x 11-11/32 (620x790x290)  
Evaporator in. (mm)..... 11-3/32 x 34-1/4 x 7-9/32 (282x870x185)

**Connection Pipe**

Liquid..... 1/4" / 6.35 mm Flare  
Gas..... 1/2" / 12.7 mm Flare  
Method (Liquid/Gas)..... Brazing  
Max Length (Pre-charge)..... 66 ft.(20 m) / (49 ft. {15 m})  
Max Height Difference..... 49 ft. (15 m)

**Weight**

Condenser..... 86 lbs. (39 kg)  
Evaporator..... 31 lbs. (14 kg)

**Accessories**

UTY-RNNUM^..... Wired remote control  
UTY-RVNUM^..... Wired remote control (backlit, shows room temp.)  
UTY-RSNUM^..... Wired remote control (simple)  
UTY-XWZZZ5..... Dry contract kit  
UTY-TWBXF1..... Interface kit

**Intertek®ETL Number**

AOU15RLS2..... 91986  
ASU15RLS2..... 91986

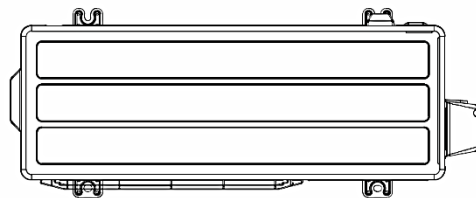
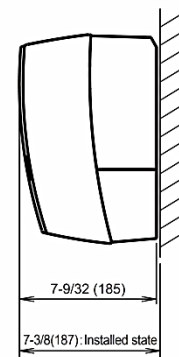
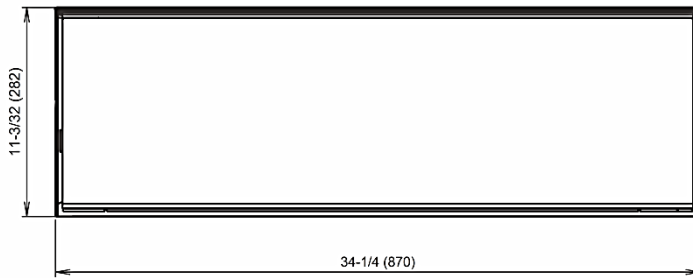
\*1 Requires interface kit # UTY-TWBXF1 in order to connect these devices to them.

Fujitsu General America, Inc.  
353 Route 46 West  
Fairfield, NJ 07004  
Toll Free: 1-888-888-3424  
Fax: (973) 836-0447  
www.fujitsugeneral.com

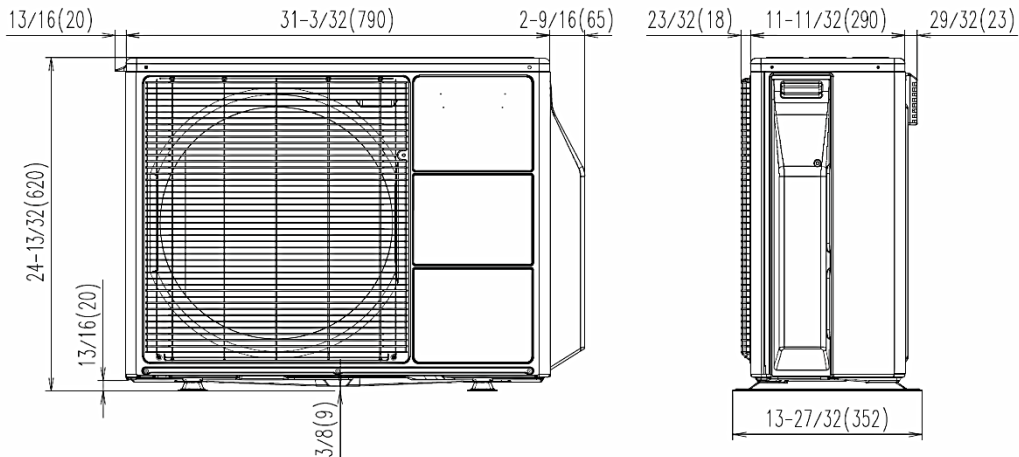


## Dimensions: 15RLS2

[Unit: in. (mm)]

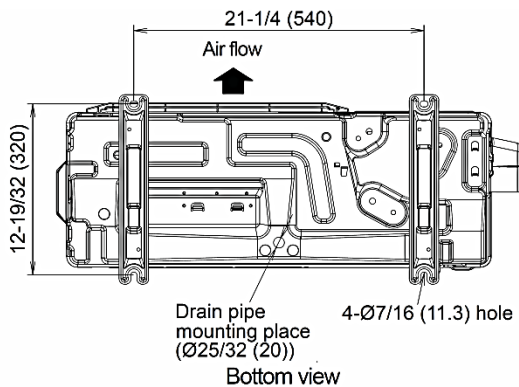


Top view



Front view

Side view



Bottom view

