

Submittal Data: 12RLF Inverter Driven Heat Pump

12,000 BTU Wall Mount

Job Name: _____

Date: _____

Location: _____

Approval: _____

Engineer: _____

Construction: _____

Submitted to: _____

Unit #: _____

Submitted by: _____

Drawing #: _____

Reference: _____

General Features

- Wired or wireless remote
- Apple catchin filter
- Ion deodorizing filter
- Auto louver: up/down
- Low ambient cooling
- Cold prevention
- Sleep timer
- 24-hour timer
- Dry mode
- Standard Warranty: 5 years parts, 7 years compressor. Applies to systems purchased before June 1st 2015*
- Extended Warranty: 10 years parts, 10 years compressor. Systems that have been installed on or after June 1st 2015 by licensed contractors and the online Product Registration has been submitted.**
- Elite Contractor Extended Warranty: 12 years parts, 12 years compressor. Systems that have been installed on or after June 1st 2015 by contractors who have met requirements and have been approved for elite contractor status plus, the online Product Registration has been submitted.***

Model Information

Condenser..... AOU12RLF
Evaporator..... ASU12RLF

Electrical..... 208/230 V AC 1ph-60HZ

Available Voltage Range..... 187 - 253 V +/- 10%

Max Fuse Size..... 20 A

Max Operating Current..... 0.4 A

Evaporator..... 9.0 A

Condenser..... 0.96 kW

Input Power..... 1.28 kW

Cooling..... 4.4 A

Heating..... 5.9 A

Running Current..... 12,000 Btu/h

Cooling..... 3,100 - 13,300 Btu/h

Min-Max Cooling..... 16,000 Btu/h

Nominal Heating..... 3,100 - 19,100 Btu/h

Min-Max Heating..... Rotary x1

Motor Output..... 750 W

Refrigerant..... R410a

Charge..... 2 lbs. 5 oz.

Oil..... VG74

Fan Motor..... Propeller x1

Type: DC (condenser)..... Cross flow fan x1

Type: DC (evaporator)..... 50 W

Motor Output (condenser)..... 30 W

Motor Output (evaporator)..... 19-27/32 x 35-9/32 x 1-7/16 (504x896x36.4)

Heat Exchanger..... 1.4 FPI

Condenser..... 2 x 24

(H x W x D) in. (mm)..... Grooved H-Pin (Copper)

Fin Pitch..... Corrugate (Aluminum)

Rows x Stages..... 2 x 24

Pipe Type (Material).....

Type (Material).....

Note: Specifications are based on the following conditions:

Cooling: Indoor temperature of 80°F (26.7°C) DB/67°F (19.44°C) WB, and outdoor temperature of 95°F (35°C) DB/75°F (23.9°C) WB.

Heating: Indoor temperature of 70°F (21.1°C) DB/59°F (15°C) WB, and outdoor temperature of 47°F (8.33°C) DB/43°F (6.11°C) WB.

Pipe length: 24ft. 7in. (7.5m), Height difference: 0ft. (0m) (Outdoor unit - indoor unit)

(*Standard warranty / **10 year warranty / ***12 year warranty)

Operation Temperature Range

Cooling..... 14°F - 115°F (-10°C - 46°C)

Heating..... 5°F - 75°F (-15°C - 24°C)

Efficiency..... 22.0

SEER..... 3.66 kW/kW

EER (cooling)..... 3.66 kW/kW

COP (heating)..... 11.0 Btu/hW

HSPF (heating).....

Enclosure..... Polystyrene

Material..... Painted galvanized steel

Evaporator.....

Condenser..... Beige (10 YR 7.5/1.0 NN)

Color..... White

Condenser..... 49 dB(A)

Evaporator..... 43 dB(A)

Sound Pressure Level.....

Condenser (max).....

Evaporator (max).....

Dimensions..... H x W x D

Condenser in. (mm)..... 21-11/32 x 31-3/32 x 11-11/32 (540x790x290)

Evaporator in. (mm)..... 11-1/32 x 31-3/32 x 8 (280x790x203)

Connection Pipe.....

Liquid..... Ø1/4 in. (Ø6.35 mm)

Gas..... Ø3/8 in. (Ø9.52 mm)

Method (Liquid/Gas)..... Flare

Max Length {(Pre-charge)}..... 66 ft. (20 m) {(49 ft.) (15 m)}

Max Height Difference..... 49 ft. (15 m)

Weight.....

Condenser..... 80 lbs. (36 kg)

Evaporator..... 18 lbs. (8 kg)

Accessories.....

UTY-RNNUM^{^1}..... Wired remote control

Intertek®ETL Number.....

AOU12RLF..... 91986

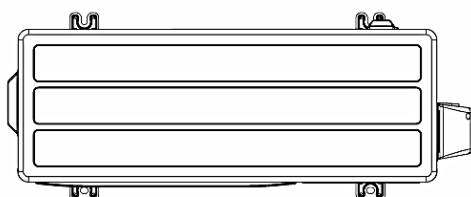
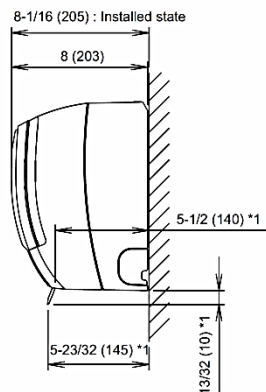
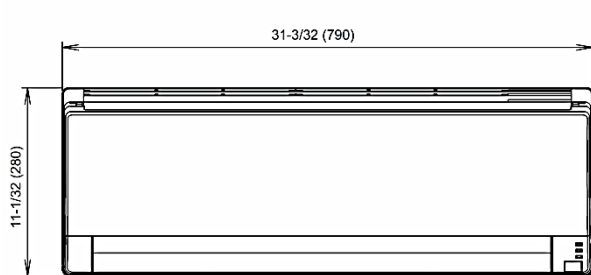
ASU12RLF..... 91986

^{^1} Requires interface kit # UTY-XCBXZ1 in order to connect these devices to them.

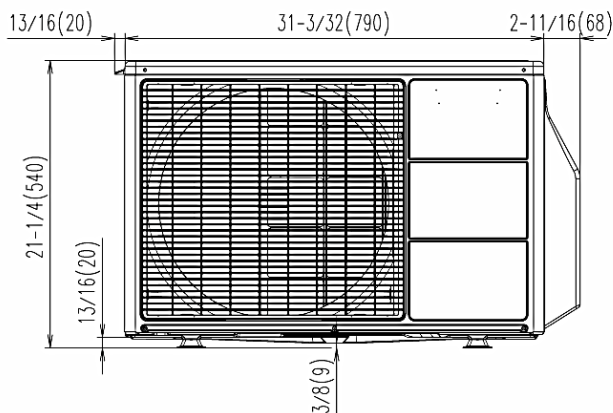


Dimensions: 12RLF

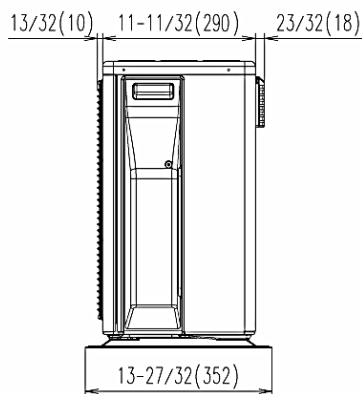
[Unit: in. (mm)]



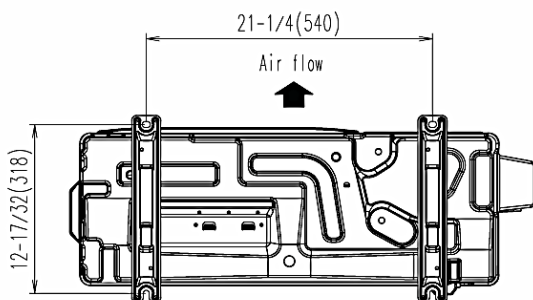
Top view



Front view



Side view



Bottom view

